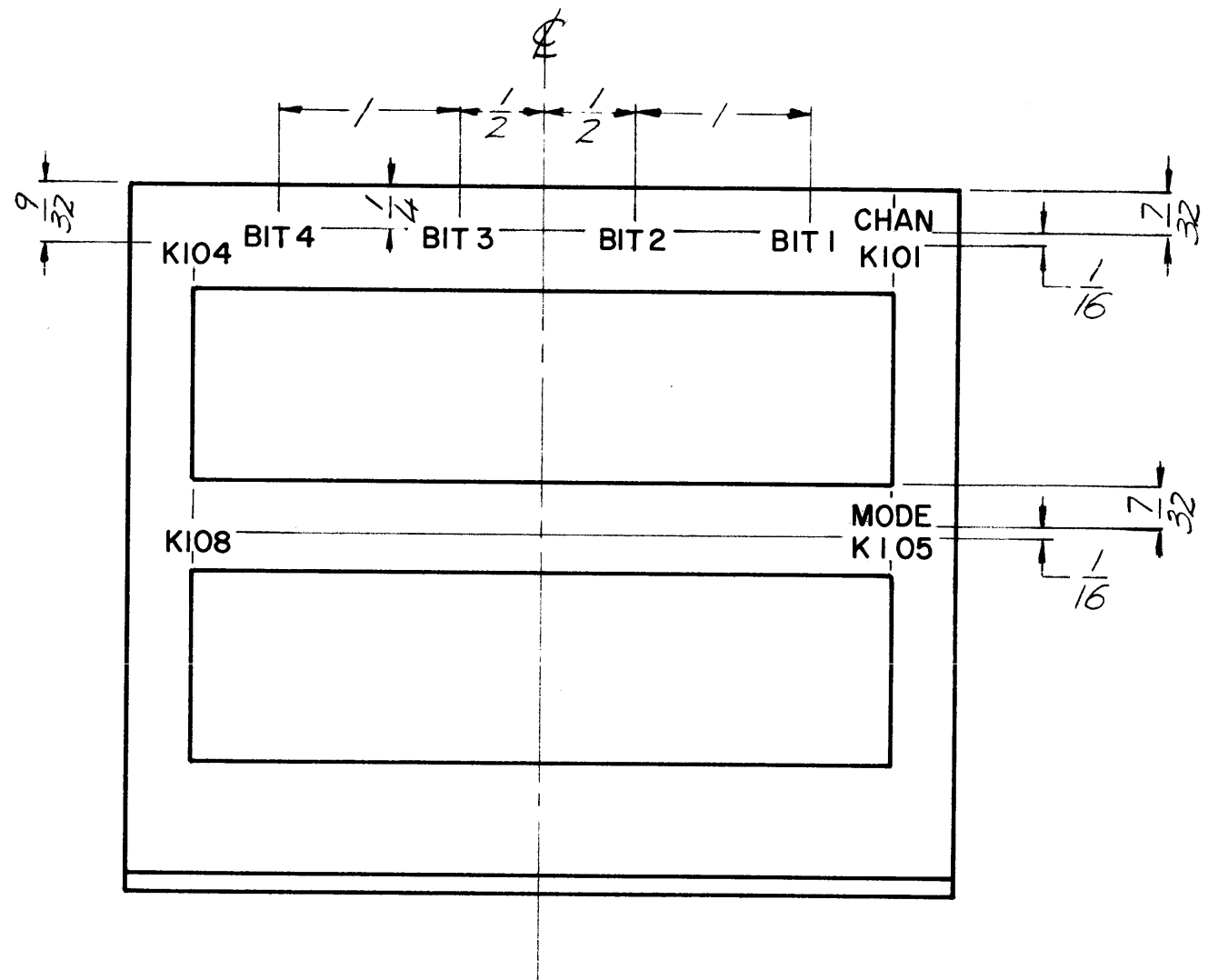


REVISIONS							
ZONE	LTR	DESCRIPTION	DATE	E.M.N.NO	DRAFT	CHKD	APPD
	Ø	ORIG RELEASE FOR PROD	11/17/71		CV		



MARKING PROCESS: AS PER TMC SPECIFICATION S727  
 LETTERING: 1/8 HIGH BLACK GOTHIC, LOCATED AS SHOWN

QTY / UNIT	MODEL USED ON	ASS'Y NO.
1	LRCA 2	
APPLICATION		
	CODE	
<p><b>NOTICE TO PERSONS RECEIVING THIS DRAWING</b>          THE TECHNICAL MATERIEL CORPORATION claims proprietary right in the material disclosed hereon. This drawing is issued in confidence for engineering information only and may not be reproduced or used to manufacture anything shown hereon without permission from THE TECHNICAL MATERIEL CORPORATION to the user. This drawing is loaned for mutual assistance and is subject to recall at any time.</p>		

REQ'D	ITEM	PART NUMBER	DESCRIPTION	SYM.
			LIST OF MATERIAL	
			THE TECHNICAL MATERIEL CORP. MAMARONECK, NEW YORK	
			LETTERING, RELAY BRKT.	
			SIZE B	
			CODE IDENT. NO. 82679	
			DWG NO. LD 2489	
			ISSUE Ø	
			SCALE 1:1	
			SHEET OF	