

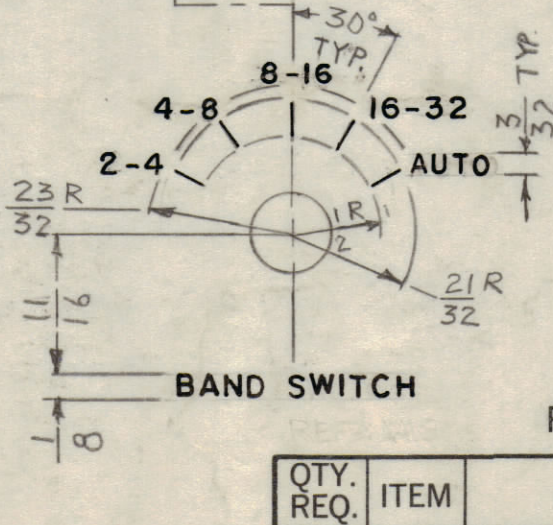
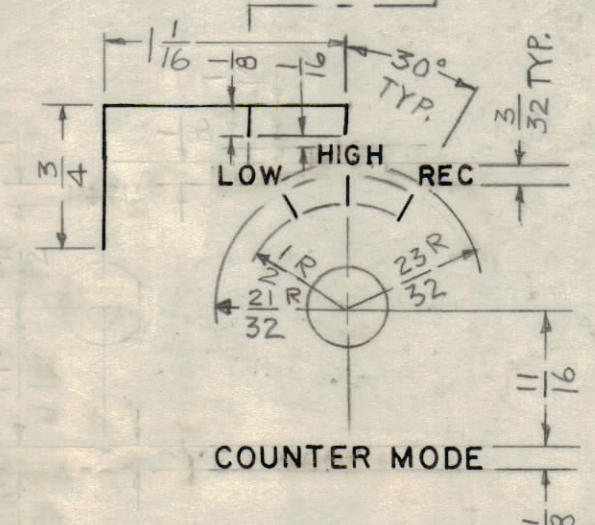
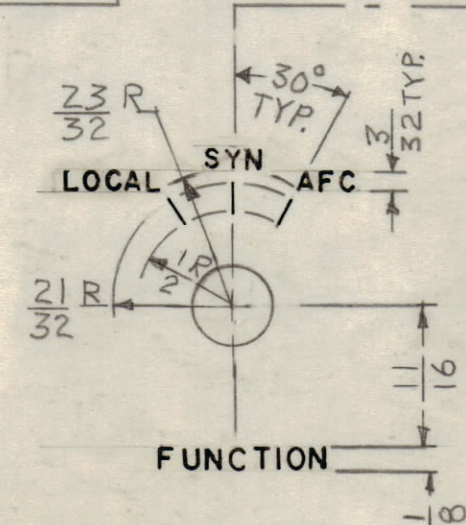
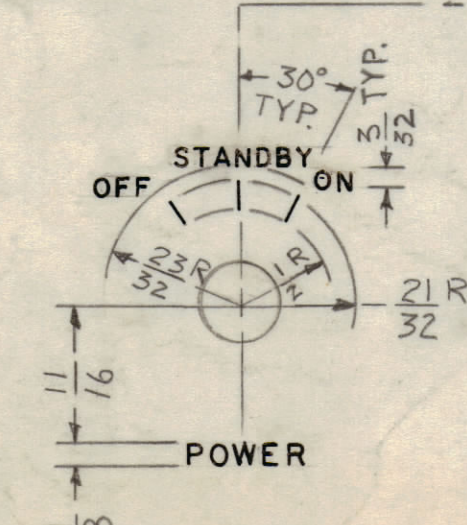
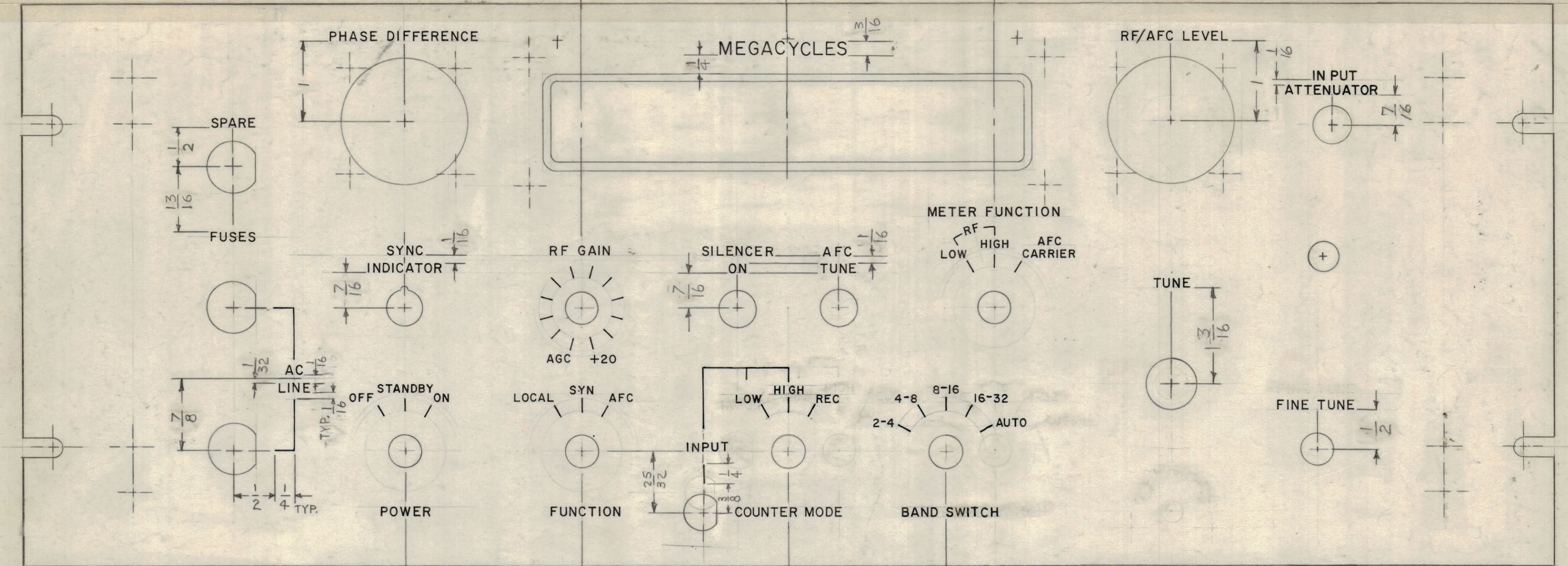
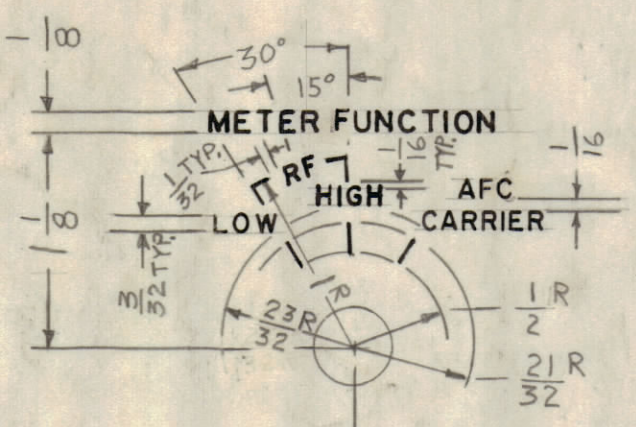
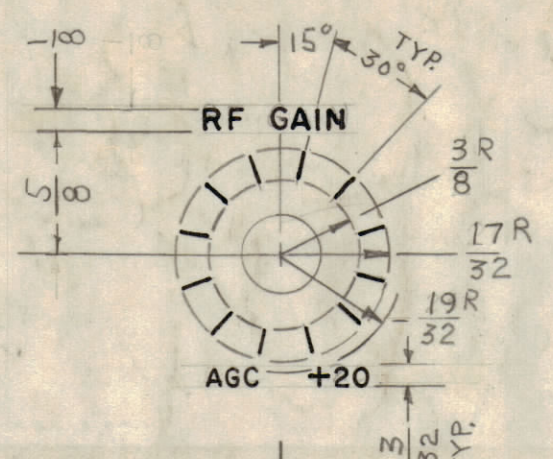
4

3

2

1

REVISIONS						
ZONE	LTR	DESCRIPTION	DATE	E.M.N.NO	DRAFT	CHKD APPD
	X	EXPERIMENTAL RELEASE	9/6/67	X	C.V.	
	X1	INPUT ADDED, COUNTER MODE & BAND SWITCH DIAL REL.	9-29-67		H.G.	
	X2	ADDED INPUT ATTENUATOR	7/3/68		H.G.	
	X3	SEE SHEET 2	11-6-68		H.G.	
	Ø	ORIGINAL RELEASE FOR PRODUCTION	11/8/68	Ø	H.G.	



FRONT VIEW

HEIGHT OF LETTERS	DEPTH OF LETTERS	WIDTH OF STROKE
3/32	.010	.015
1/8	.010	.020
3/16	.010	.025
LINES	.010	.015

UNLESS OTHERWISE SPECIFIED:

- 1/8 HIGH GOTHIC LETTERING
- ALL LETTERING & LINES TO BE WHITE FILLED
- ALL LETTER GROUPS TO BE CENTERED ON HOLES OR CUTOUTS.

1	HFRR-4	
QTY / UNIT	MODEL USED ON	ASS'Y NO.
APPLICATION		
	CODE C	5401-451
NOTICE TO PERSONS RECEIVING THIS DRAWING		
THE TECHNICAL MATERIEL CORPORATION claims proprietary right in the material disclosed hereon. This drawing is issued in confidence for engineering information only and may not be reproduced or used to manufacture anything shown hereon without permission from THE TECHNICAL MATERIEL CORPORATION to the user. This drawing is loaned for mutual assistance and is subject to recall at any time.		

UNLESS OTHERWISE SPECIFIED DIMENSIONS ARE IN INCHES AND INCLUDE CHEMICALLY APPLIED OR PLATED FINISHES

TOLERANCES ON

DECIMALS	FRACTIONS
.X ± .05	± 1/64
.XX ± .01	ANGLES
.XXX ± .005	± 0° -30'

MATERIAL

FINISH

QTY. REQ.	ITEM	PART NO.	DESCRIPTION	SYMBOL
R. HOGAN (ZETENA) LIST OF MATERIAL SK 3252-003-43				
THE TECHNICAL MATERIEL CORP. MAMARONECK, NEW YORK				
MARKING, PANEL FRONT MARKING PROCESS: ENGRAVING				
SIZE	CODE IDENT.NO.	DWG NO.	ISSUE	
C	82679	LD 2276	Ø	
SCALE 1:1			SHEET 1 OF 2	

4

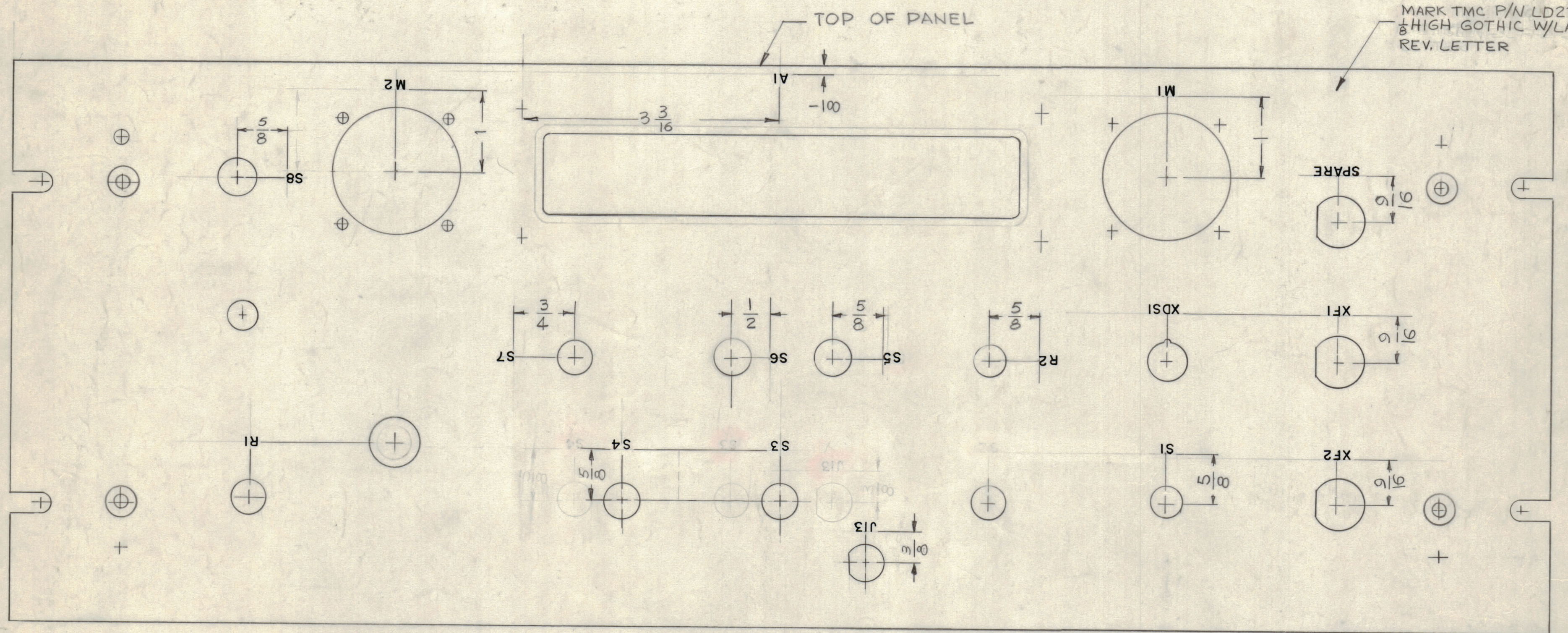
3

2

1

LD 2276

REVISIONS						
ZONE	LTR	DESCRIPTION	DATE	E.M.N.NO	DRAFT	CHKD APPD
	X	EXP. RELEASE	9-12-67		G.D.L.	
	X1	REVISED LOC. S3 & J13 MARKING	7/24/68		JL	
	X2	ADDED S8	9/3/68		H2	
	X3	DELE. S2	11.6.68		H3	
	Ø	ORIGINAL RELEASE FOR PRODUCTION	11/8/68	Ø	H4	



REAR VIEW

MARKING PROCESS: AS PER TMC SPECIFICATION S-727.
 LETTERING: 1/8 HIGH BLACK GOTHIC, LOCATED AS SHOWN.

1	HFRR-4	
QTY / UNIT	MODEL USED ON	ASS'Y NO.
	APPLICATION	
S401-451	CODE A	S401-451

NOTICE TO PERSONS RECEIVING THIS DRAWING
 THE TECHNICAL MATERIEL CORPORATION claims proprietary right in the material disclosed hereon. This drawing is issued in confidence for engineering information only and may not be reproduced or used to manufacture anything shown hereon without permission from THE TECHNICAL MATERIEL CORPORATION to the user. This drawing is loaned for mutual assistance and is subject to recall at any time.

UNLESS OTHERWISE SPECIFIED DIMENSIONS ARE IN INCHES AND INCLUDE CHEMICALLY APPLIED OR PLATED FINISHES

TOLERANCES ON
 DECIMALS .X ± .05
 .XX ± .01
 .XXX ± .005
 FRACTIONS ± 1/64
 ANGLES ± 0° - 30'

MATERIAL
 FINISH

REF: MS5280		REF: SK3252-003-1	
QTY. REQ.	ITEM	PART NO.	DESCRIPTION
	HOGAN (ZETENA)		LIST OF MATERIAL SK 3252-003-43
FINAL APPROVAL <i>[Signature]</i>		DATE 11.8.68	THE TECHNICAL MATERIEL CORP. MAMARONECK, NEW YORK
MECH. DES. M. ZETENA		DATE	
ELECT. DES.		DATE	
CHECKED CM SG		DATE 9/29/67	MARKING, REAR FRONT PANEL
DRAWN G.D.L.		DATE 9-12-67	
SIZE	CODE IDENT. NO.	DWG NO.	ISSUE
C	82679	LD2276	Ø
SCALE	1:1		SHEET 2 OF 2

LD2276