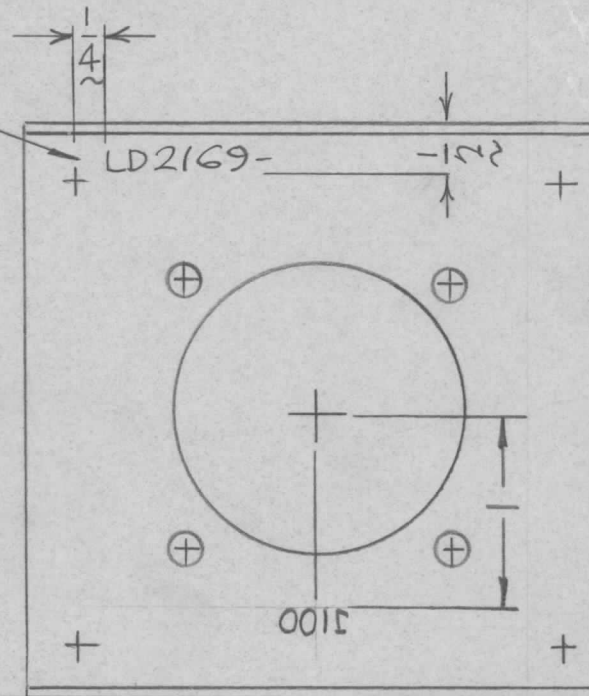
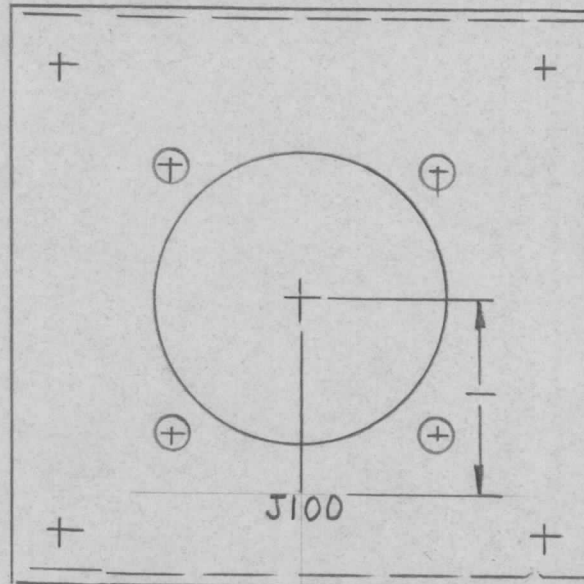


MARK TMC P/N
 1/8 HIGH GOTHIC W/LATEST
 REV. LETTER.

REQ. PER UNIT	USED ON			LD2169	Ø
	MODEL	ASS'Y. NO.	DATE		
1	AX-631		9-15-66		



MARKING PROCESS: AS PER TMC SPECIFICATION S-727.
 LETTERING: 1/8 HIGH BLACK GOTHIC, LOCATED AS SHOWN.

REF: MS5091

REQ.	ITEM	PART NO.	F. BUDETTI			DESCRIPTION	SYMBOL
Ø			ORIGINAL RELEASE FOR PRODUCTION			1/11/67	Ø CV
X			EXP. RELEASE			9-15-66	X
SYM	DESCRIPTION		DATE	CH. NO.	DRAFTS	CHECKER	ENG. APP.
UNLESS OTHERWISE SPECIFIED DIMENSIONS ARE IN INCHES AND INCLUDE CHEMICALLY APPLIED OR PLATED FINISHES			SCALE 1:1				
DECIMALS .X ± .05 .XX ± .01 .XXX ± .005	TOLERANCES		FRACTIONS ± 1/64 ANGLES ± 0° 30'	CODE A			
	STOCK SIZE	THE TECHNICAL MATERIEL CORP. MAMARONECK, NEW YORK					
	MATERIAL	MARKING, BRACKET MTG. CONNECTOR					
	TYPE & TEMPER	HEAT TREAT. SPEC.	DRAWN	CHECKED	FINAL APPROVAL		
	FINISH & SPEC. NO.		ELEC. DES. APP.	MECH. DES. APP.	LD2169 Ø		