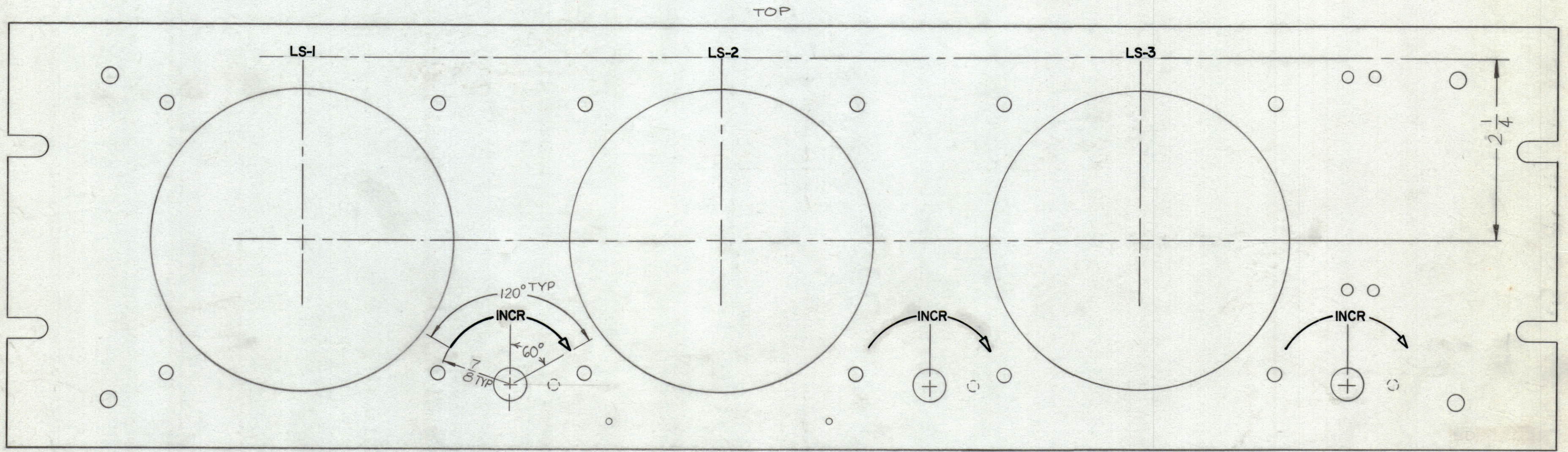


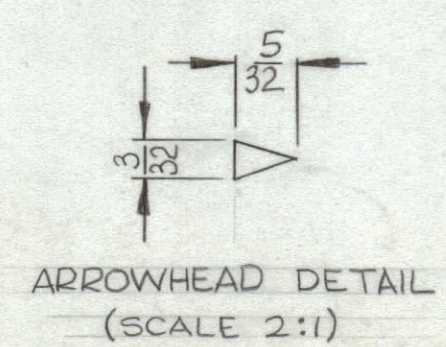
REVISIONS					
ZONE	SYM	DESCRIPTION	DATE	E.M.N. NO.	APPD
	Ø	ORIGINAL RELEASE FOR PRODUCTION	4-18-66	Ø	WHD



FRONT VIEW

- UNLESS OTHERWISE SPECIFIED
- 1-ALL ENGRAVING TO BE 1/8 HIGH GOTHIC WHITE FILLED (SEE CHART)
 - 2-ALL ARROWHEADS 3/32 X 5/32, WHITE OUTLINED FILLED (SEE DETAIL)
 - 3-ALL LINES TO BE WHITE FILLED
 - 4-ALL LETTER GROUPS TO BE CENTERED ON HOLES
 - 5-ALL ENGRAVING AS PER TMC SPEC S566

LETTER HEIGHT	DEPTH OF STROKE	WIDTH OF STROKE
1/8	.010	
ARROW-HEADS	.010	.015
SOLID LINES	.010	.015



REF: MS4912 (8)

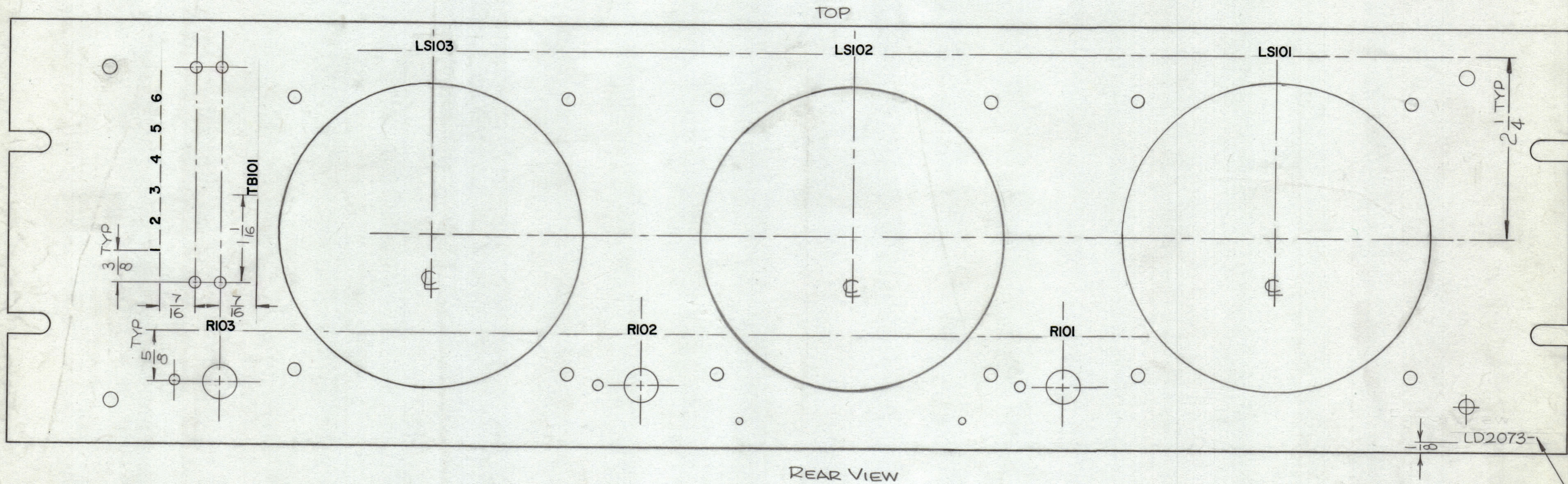
LSP-8A		
Q'TY./UNIT	MODEL USED ON	ASS'Y. NO.
SCALE	CODE	

REQ'D.	ITEM	PART NUMBER	DESCRIPTION	SYMBOL
HAY LIST OF MATERIAL				
MATERIAL		THE TECHNICAL MATERIEL CORP. MAMARONECK, NEW YORK		
FINISH		TITLE MARKING, PANEL, FRONT ENGRAVING & REAR LETTERING		
UNLESS OTHERWISE SPECIFIED DIMENSIONS ARE IN INCHES AND INCLUDE CHEMICALLY APPLIED OR PLATED FINISHES		DRAWN WHD	DATE 4/13/66	FINAL APPROVAL WHD
DECIMALS .X ± .05 .XX ± .01 .XXX ± .005		TOLERANCES ± 1/64 ANGLES ± 0° 30'		DATE 4/13/66
THE CONTENTS OF THIS DRAWING ARE THE EXCLUSIVE PROPERTY OF THE TECHNICAL MATERIEL CORP. ITS UNAUTHORIZED USE OR REPRODUCTION IN WHOLE OR IN PART IS STRICTLY FORBIDDEN.		ELECT. DES. MECH. DES.		DATE DATE SHEET 1 OF 2
		REV. LTR.		DATE DATE

NOTES

LD2073

REVISIONS							
ZONE	SYM	DESCRIPTION	DATE	E.M.N. NO.	DRAFT	CHKD	APPD
	Ø	ORIGINAL RELEASE FOR PRODUCTION	7-18-66	Ø	WFO		JLQ



UNLESS OTHERWISE SPECIFIED:
 1—MARKING PROCESS AS PER TMC SPEC S727
 2—ALL LETTERING $\frac{1}{8}$ HIGH BLACK GOTHIC
 3—ALL LETTER GROUPS TO BE CENTERED ON HOLES

MARK TMC PART NO
 $\frac{1}{8}$ HIGH GOTHIC W/LATEST
 REVISION LETTER

REF: MS4912- (8)

REQ'D.	ITEM	PART NUMBER	DESCRIPTION	SYMBOL
	HAY		LIST OF MATERIAL	
MATERIAL		THE TECHNICAL MATERIEL CORP. MAMARONECK, NEW YORK		
FINISH		TITLE MARKING, PANEL, FRONT ENGRAVING & REAR LETTERING		
UNLESS OTHERWISE SPECIFIED DIMENSIONS ARE IN INCHES AND INCLUDE CHEMICALLY APPLIED OR PLATED FINISHES		DRAWN	DATE	FINAL APPROVAL
		WFO	4-13-66	JLQ
		CHECKED	DATE	
		JLQ	4-13-66	
		ELECT. DES.	DATE	
		MECH. DES.	DATE	
		LD2073		Ø
		SHEET 2 OF 2		REV. LTR.

Q'TY./UNIT	MODEL USED ON	ASS'Y. NO.
SCALE 1:1	LSP-8A	
	CODE	

NOTES
 THE CONTENTS OF THIS DRAWING ARE THE EXCLUSIVE PROPERTY
 OF THE TECHNICAL MATERIEL CORP. ITS UNAUTHORIZED USE OR
 REPRODUCTION IN WHOLE OR IN PART IS STRICTLY FORBIDDEN.