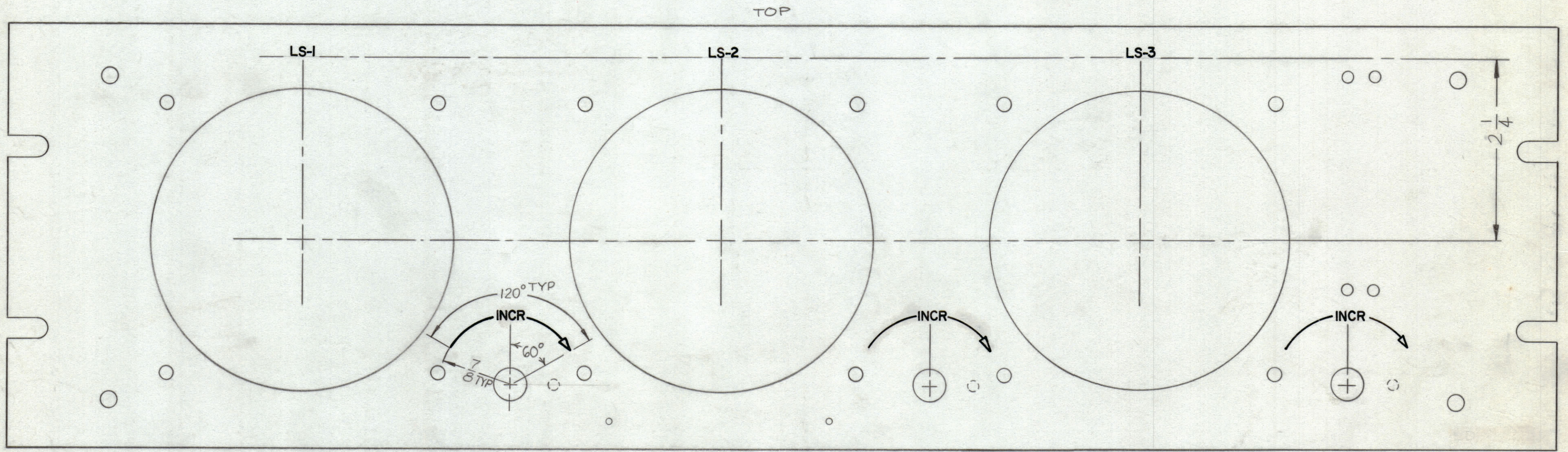


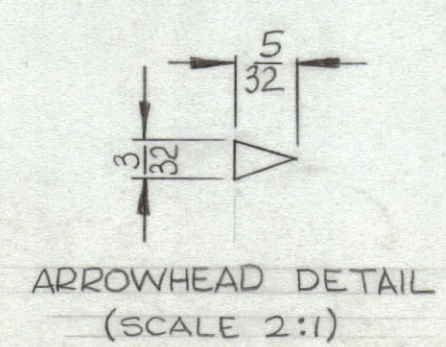
REVISIONS					
ZONE	SYM	DESCRIPTION	DATE	E.M.N. NO.	APPD
	Ø	ORIGINAL RELEASE FOR PRODUCTION	4-18-66		



FRONT VIEW

- UNLESS OTHERWISE SPECIFIED
- 1-ALL ENGRAVING TO BE 1/8 HIGH GOTHIC WHITE FILLED (SEE CHART)
 - 2-ALL ARROWHEADS 3/32 X 5/32, WHITE OUTLINED FILLED (SEE DETAIL)
 - 3-ALL LINES TO BE WHITE FILLED
 - 4-ALL LETTER GROUPS TO BE CENTERED ON HOLES
 - 5-ALL ENGRAVING AS PER TMC SPEC S566

LETTER HEIGHT	DEPTH OF STROKE	WIDTH OF STROKE
1/8	.010	
ARROW-HEADS	.010	.015
SOLID LINES	.010	.015



REF: MS4912 (8)

LSP-8A		
Q'TY./UNIT	MODEL USED ON	ASS'Y. NO.
SCALE	CODE	

REQ'D.	ITEM	PART NUMBER	DESCRIPTION	SYMBOL
HAY LIST OF MATERIAL				
MATERIAL		THE TECHNICAL MATERIEL CORP. MAMARONECK, NEW YORK		
FINISH		TITLE MARKING, PANEL, FRONT ENGRAVING & REAR LETTERING		
UNLESS OTHERWISE SPECIFIED DIMENSIONS ARE IN INCHES AND INCLUDE CHEMICALLY APPLIED OR PLATED FINISHES		DRAWN wjd	DATE 4/13/66	FINAL APPROVAL [Signature]
DECIMALS .X ± .05 .XX ± .01 .XXX ± .005		TOLERANCES ± 1/64 ANGLES ± 0° 30'		DATE 4/13/66
THE CONTENTS OF THIS DRAWING ARE THE EXCLUSIVE PROPERTY OF THE TECHNICAL MATERIEL CORP. ITS UNAUTHORIZED USE OR REPRODUCTION IN WHOLE OR IN PART IS STRICTLY FORBIDDEN.		ELECT. DES. MECH. DES.		DATE [Signature]
		SHEET 1 OF 2		REV. LTR. Ø

NOTES

LD2073