

LD 2559

4

3

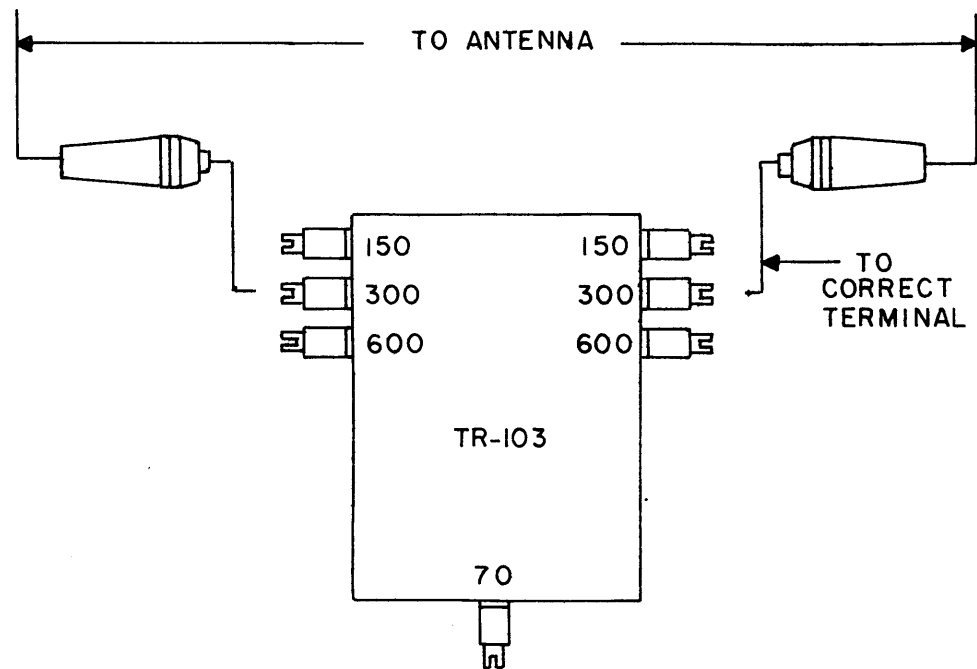
2

1

REVISIONS

ZONE	LTR	DESCRIPTION	DATE	E.M.N.NO	DRAFT	CHKD	APPD
	F	REDRAWN	8-18-71	20411	RF	RF	RF

THE TECHNICAL MATERIEL CORPORATION  
MAMARONECK NEW YORK  
TRANSMITTING ANTENNA COUPLER  
MODEL TRC-500-70U/600B/



LD 259-F

- NOTE:
1. ALL LETTERING AND ARTWORK TO BE BLACK ON ALUMINUM BACKGROUND
  2. PRINT ON PHOTO SENSITIVE MATERIAL WITH ADHESIVE BACKING
  3. REPRODUCTION METHOD: AS PER TMC SPEC S1222

I	TRC-500-70U/600B	ASS'Y NO.
QTY / UNIT	MODEL USED ON	ASS'Y NO.
APPLICATION		
	CODE	

**NOTICE TO PERSONS RECEIVING THIS DRAWING**  
THE TECHNICAL MATERIEL CORPORATION claims proprietary right in the material disclosed hereon. This drawing is issued in confidence for engineering information only and may not be reproduced or used to manufacture anything shown hereon without permission from THE TECHNICAL MATERIEL CORPORATION to the user. This drawing is loaned for mutual assistance and is subject to recall at any time.

UNLESS OTHERWISE SPECIFIED  
DIMENSIONS ARE IN INCHES  
AND INCLUDE CHEMICALLY APPLIED  
OR PLATED FINISHES

DECIMALS	FRACTIONS
.X ± .05	1/64
.XX ± .01	ANGLES
.XXX ± .005	0° .30'

MATERIAL  
  
FINISH

REQ'D	ITEM	PART NUMBER	DESCRIPTION	SYM.
LIST OF MATERIAL				
THE TECHNICAL MATERIEL CORP. MAMARONECK, NEW YORK				
<b>SCHEMATIC DIAGRAM, MODEL TRC-500</b>				
FINAL APPROVAL <i>ABB</i>		DATE	SIZE B CODE IDENT. NO. 82679 DWG NO. LD 259 ISSUE F SCALE 1/1 SHEET OF	
MECH. DES.		DATE		
ELECT. DES.		DATE		
CHECKED <i>W</i>		DATE 8/18/71		
DRAWN R. FORLANO		DATE 8-18-71		

5

4

3

2

1