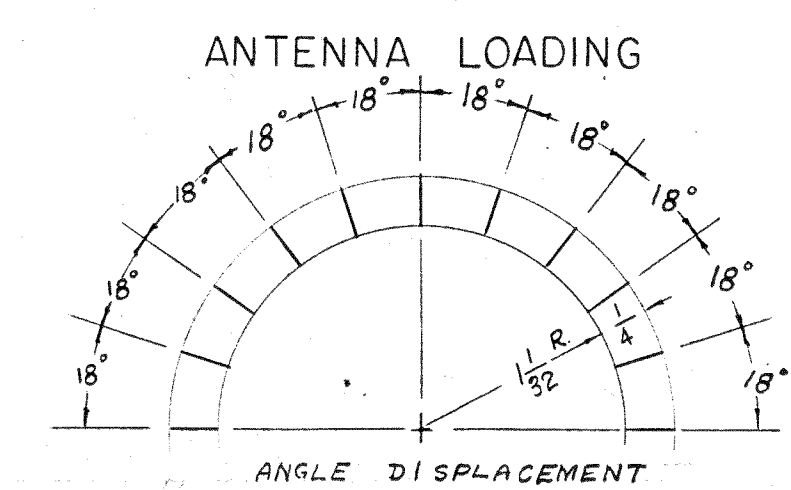
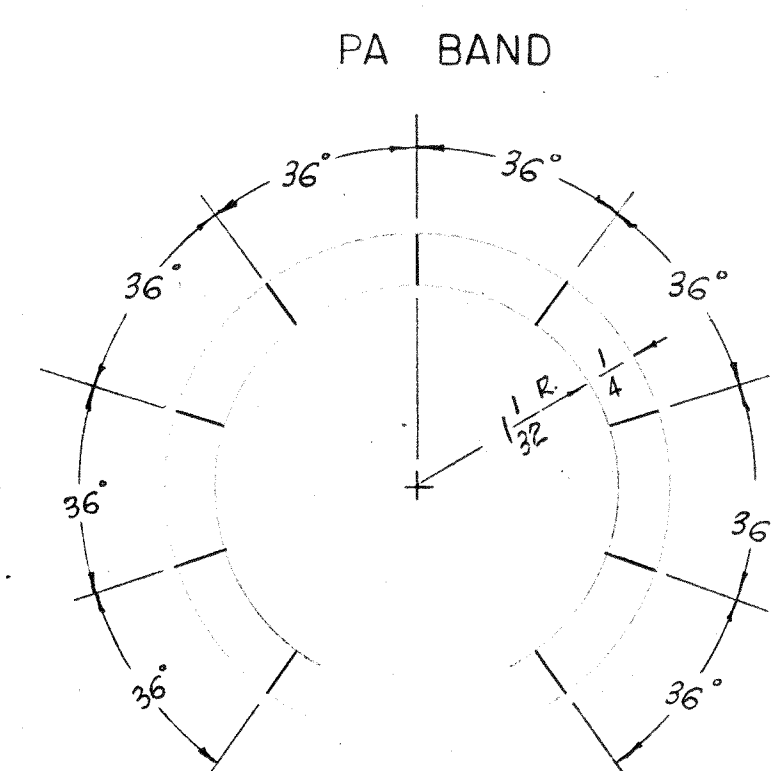
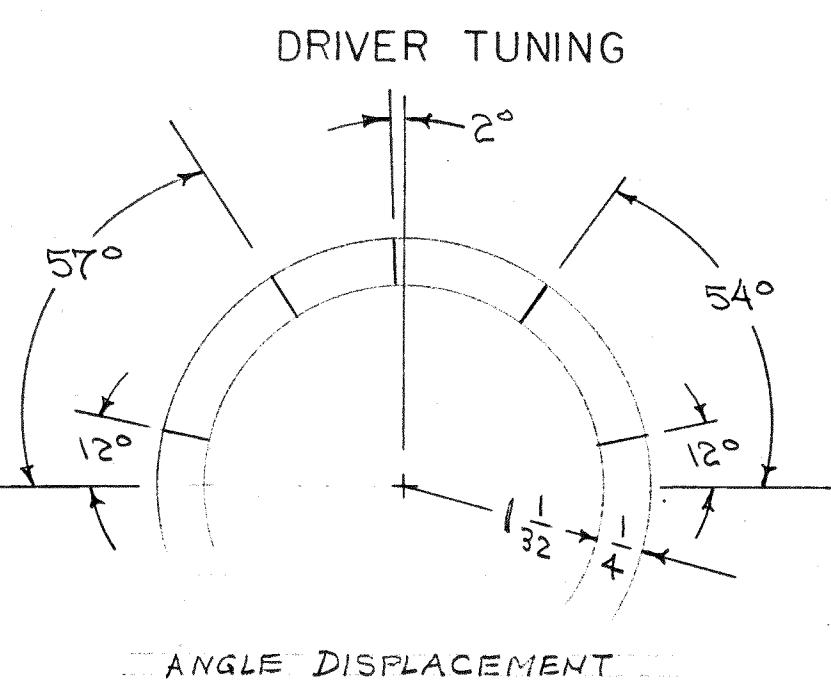
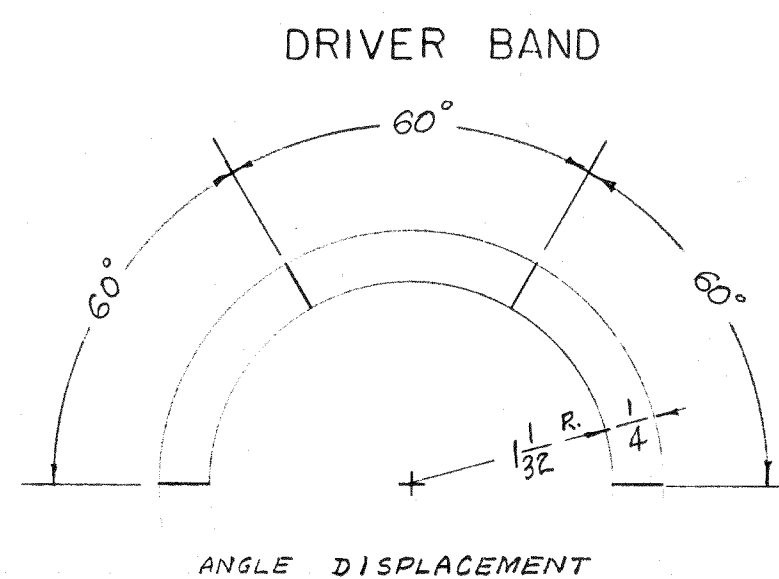
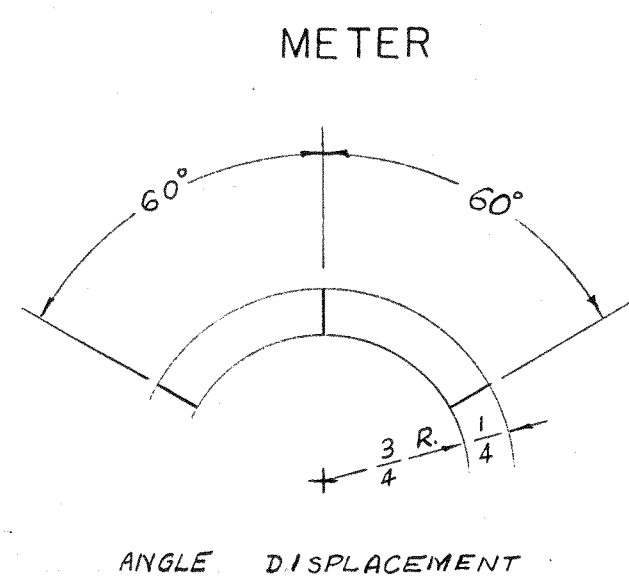
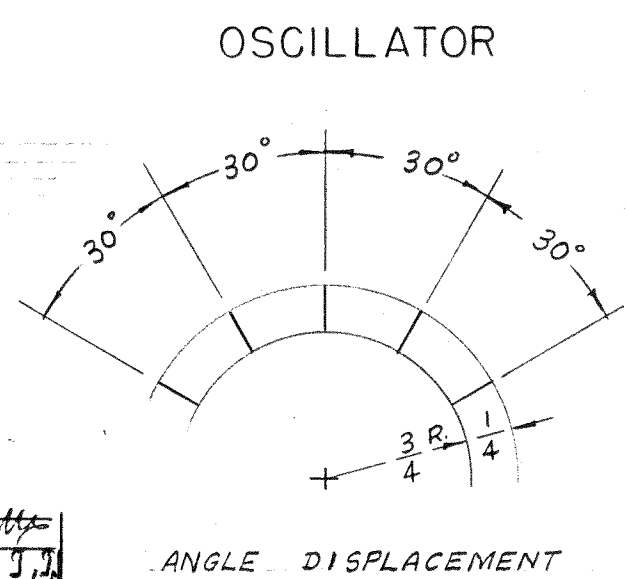
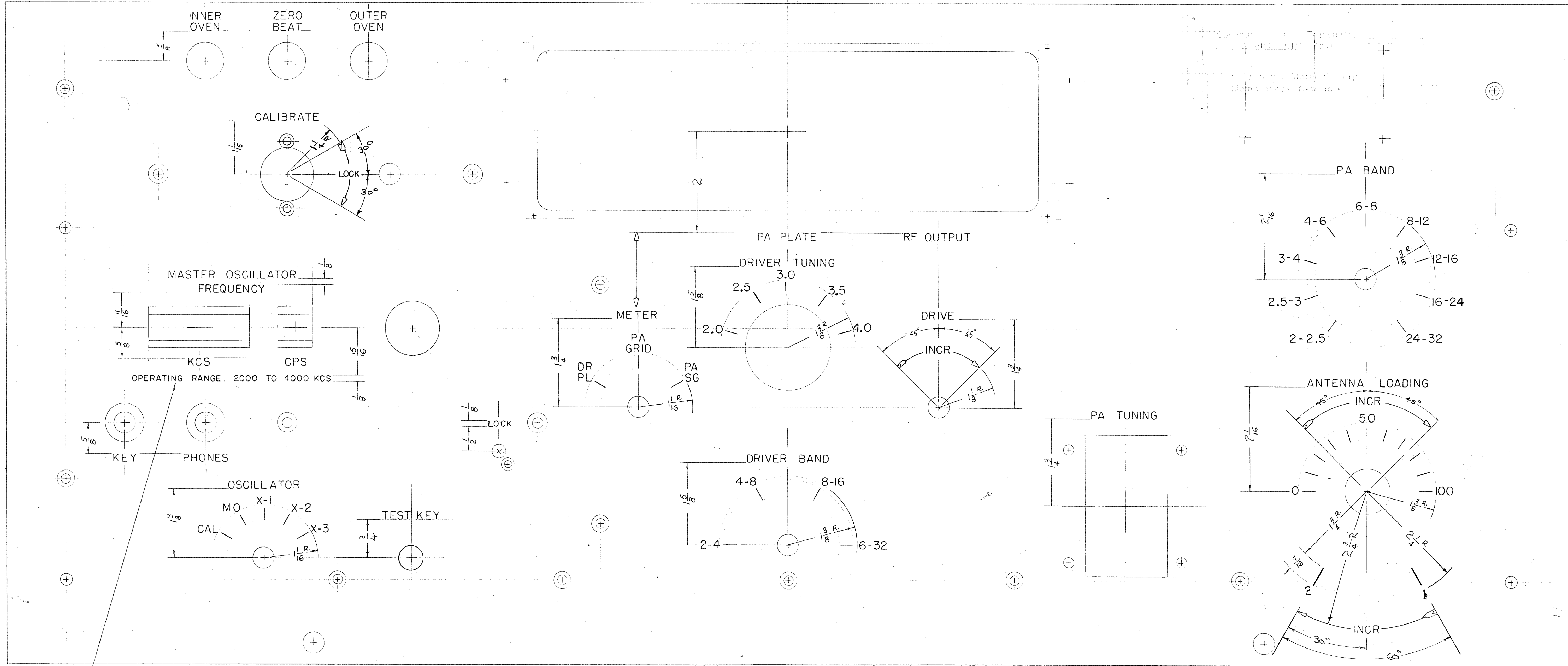


IF IT IS FOUND DESIRABLE TO CHANGE ANY TOLERANCE OR OTHER DETAIL SPECIFIED ON THIS DRAWING NOTIFY THE PURCHASER PROMPTLY.
 MAXIMUM ALLOWABLE TOLERANCES HAVE BEEN DETERMINED AND DEVIATIONS WILL BE CAUSE FOR REJECTION. REMOVE ALL BURRS AND SHARP EDGES.



ALL LETTERING HEIGHT 5/32 UNLESS OTHERWISE NOTED.

LETTER HEIGHT	DEPTH OF STROKE	WIDTH OF STROKE
5/32	.010	.020
1/8	.010	.020

WHITE FILLED GOTHIC EXCEPT WHERE OTHERWISE NOTED.

ISSUE	ITEM	CHANGED FROM	DATE	CH. NO.	DRAFTS	CHECKER	ENG. APP.
A	1	REVISIONS RELATED TO DRAWING	6/11/54	7	MA		
F	1	ANT. LOADING SWITCH CHANGED TO 2 POSITION	7/27/54	6	MA		A.J.J.
M	2	ANT. LOADING SWITCH CHANGED TO 2 POSITION	8/29/54	5	MS		A.J.J.
I	1	TEST KEY ADDED	9/14/54	4	MA		A.J.J.
D	1	Locks Added	9/14/54	4	MA		A.J.J.
C	1	ANT. LOAD SW. 1+2 REVERSED	3/1/55	3	MA		A.J.J.
B	2	5/8 WAS 5/16	1-23-56	2	MA		A.J.J.
B	1	DRIVER TUNING BE CHANGED					

TOLERANCES		SCALE:	
ALL	DEC. DIM. ±	DRILL PUNCH, COMMERCIAL STOCK	
OTHERS	FRACTIONAL DIM. ±	SIZES AND MANUFACTURERS	
	ANGULAR DIM. ±	TOLERANCES ARE NOT INCLUDED.	

REQ. PER UNIT	MODEL	PROJECT NO.	ASBY. NO.	DATE
1	R.T.F.			

REF: MS-719

REQ. ITEM	PART NO.	DESCRIPTION	SYMBOL
STOCK SIZE		THE TECHNICAL MATERIEL CORP. MAMARONECK, NEW YORK	
MATERIAL	WEIGHT PER PC.	FRONT PANEL ENGRAVING	
TYPE & TEMPER		MODEL R.T.F.	
HEAT TREAT. SPEC.			
FINISH & SPEC. NO.			

1-4-55
 DRAWN: M.V.P.
 ELEC. DES. APP.: M.V.P.
 MECH. DES. APP.: M.V.P.
 CHECKED: A.J.J.
 FINAL APPROVAL: A.J.J.

REF: MS-719 LD-240 G

LD-240 G