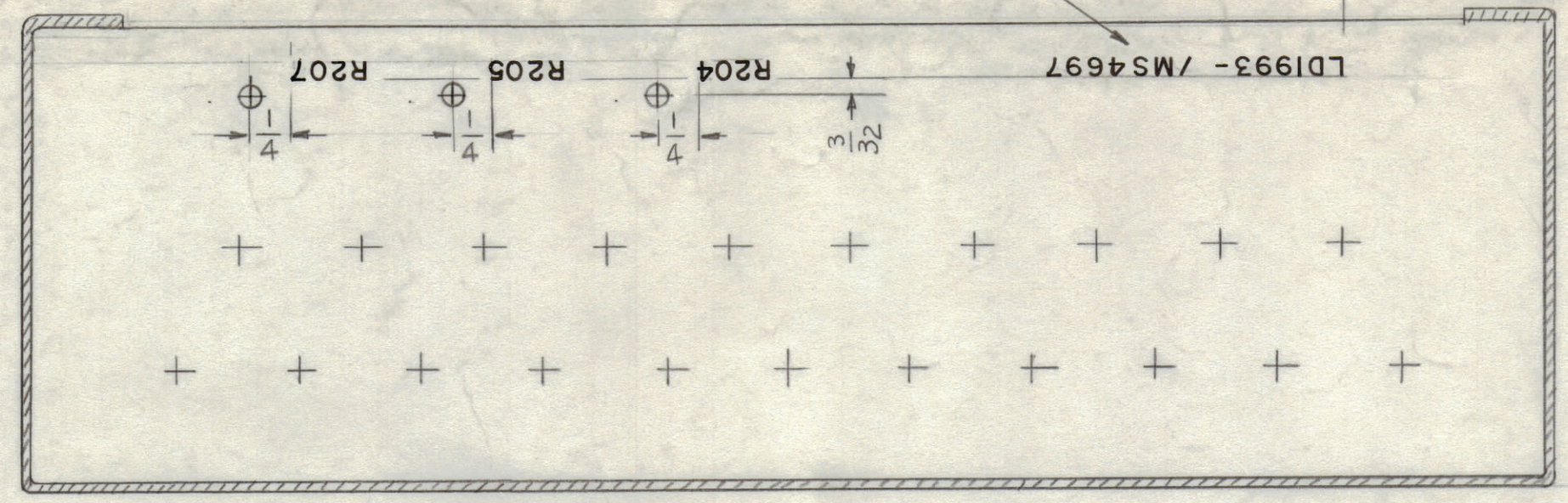
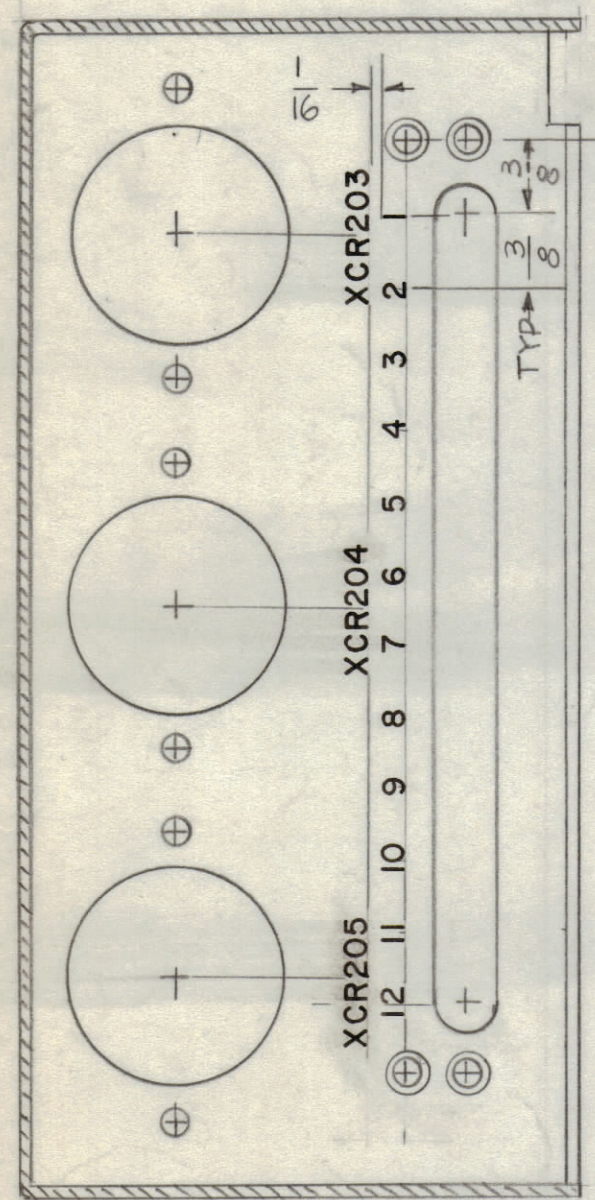
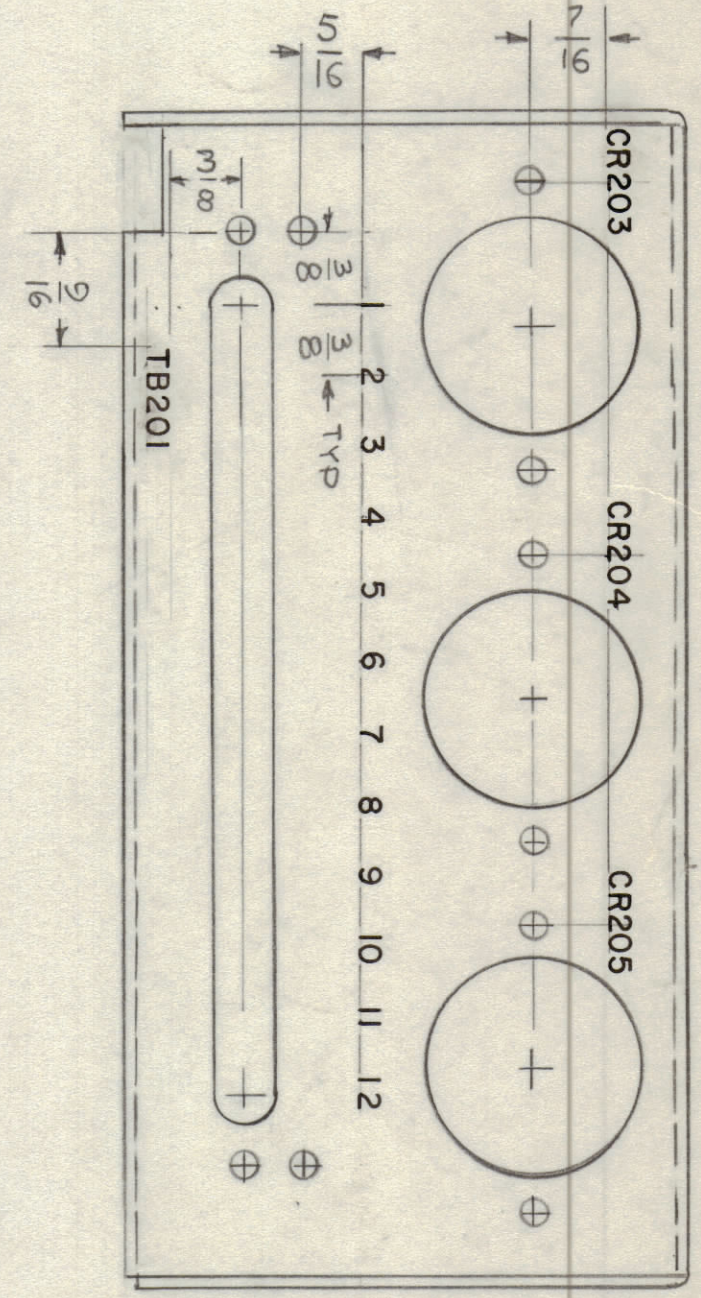
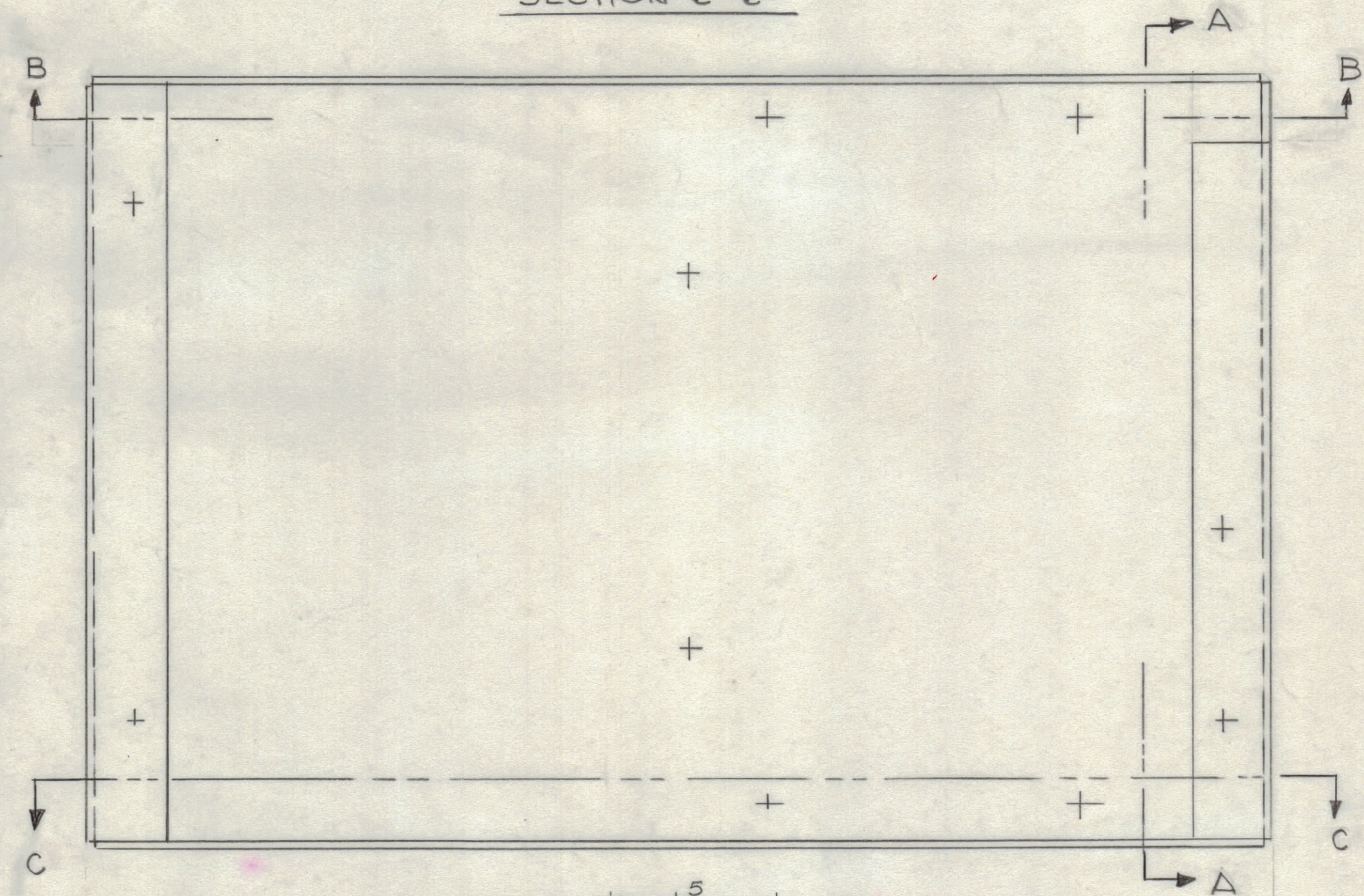


MARK TMC PT/NO. W/LATEST REV. LETTERS

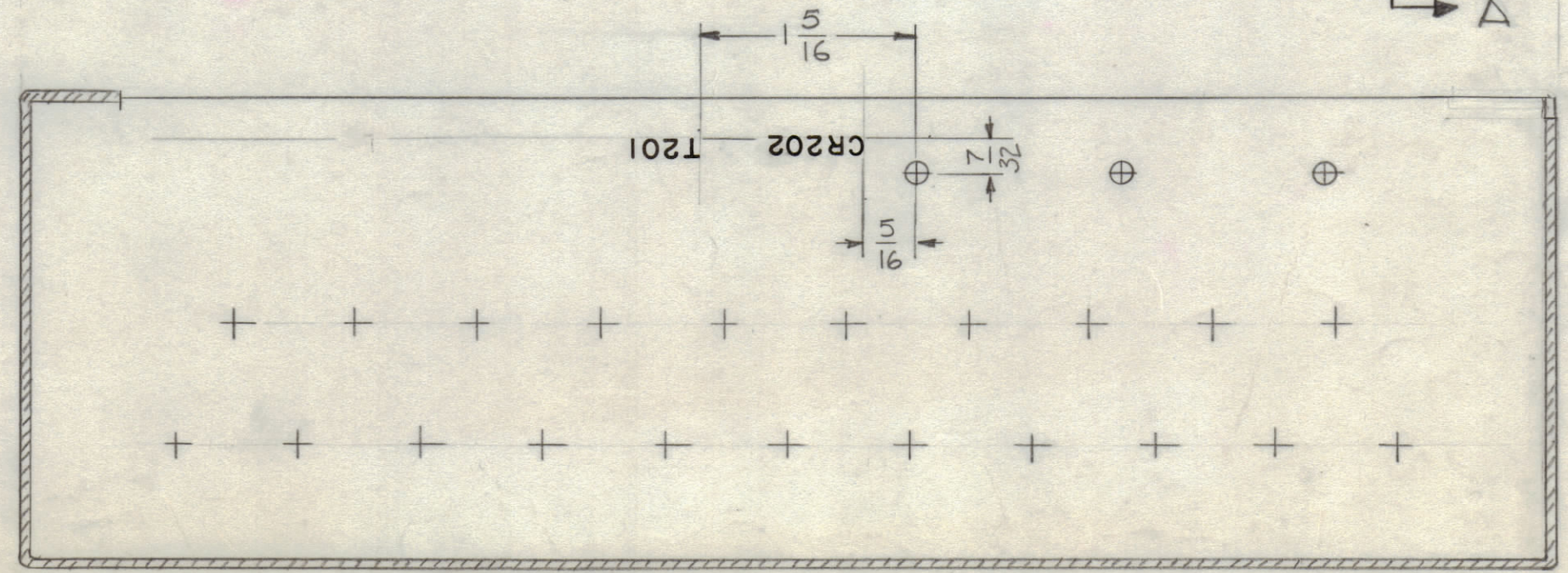
REVISIONS					
ZONE	SYM	DESCRIPTION	DATE	E.M.N. NO.	DRAFT
	XI	REDDRAWN & CLARIFIED	9-17-65	XI	GDL
	Ø	ORIGINAL RELEASE FOR PRODUCTION	10/20/65		



SECTION C-C



SECTION A-A



SECTION B-B

MARKING PROCESS: AS PER TMC SPECIFICATION S-727.
 LETTERING: 1/8 HIGH BLACK GOTHIC, LOCATED AS SHOWN.

NOTES

Q'TY./UNIT	MODEL USED ON	ASS'Y. NO.
1	RARB-1	A5129
	RASB-1	A5129
SCALE	CODE	
1:1	A	

THE CONTENTS OF THIS DRAWING ARE THE EXCLUSIVE PROPERTY OF THE TECHNICAL MATERIEL CORP. ITS UNAUTHORIZED USE OR REPRODUCTION IN WHOLE OR IN PART IS STRICTLY FORBIDDEN.

REF: MS 4697

REQ'D.	ITEM	PART NUMBER	DESCRIPTION	SYMBOL
LANGER LIST OF MATERIAL				
MATERIAL		THE TECHNICAL MATERIEL CORP. MAMARONECK, NEW YORK		
FINISH		TITLE MARKING, CHASSIS, POWER SUPPLY		
UNLESS OTHERWISE SPECIFIED DIMENSIONS ARE IN INCHES AND INCLUDE CHEMICALLY APPLIED OR PLATED FINISHES		DRAWN G.D.L.	DATE 9-17-65	FINAL APPROVAL DATE 10/20/65
DECIMALS .X ± .05 .XX ± .01 .XXX ± .005		CHECKED GDL	DATE 9/29/65	DATE 10/20/65
FRACTIONS ± 1/64 ANGLES ± 0° 30'		ELECT. DES. MECH. DES.	DATE DATE	DATE DATE
TOLERANCES		LD1993		
		SHEET		
		REV. LTR.		

LD1993