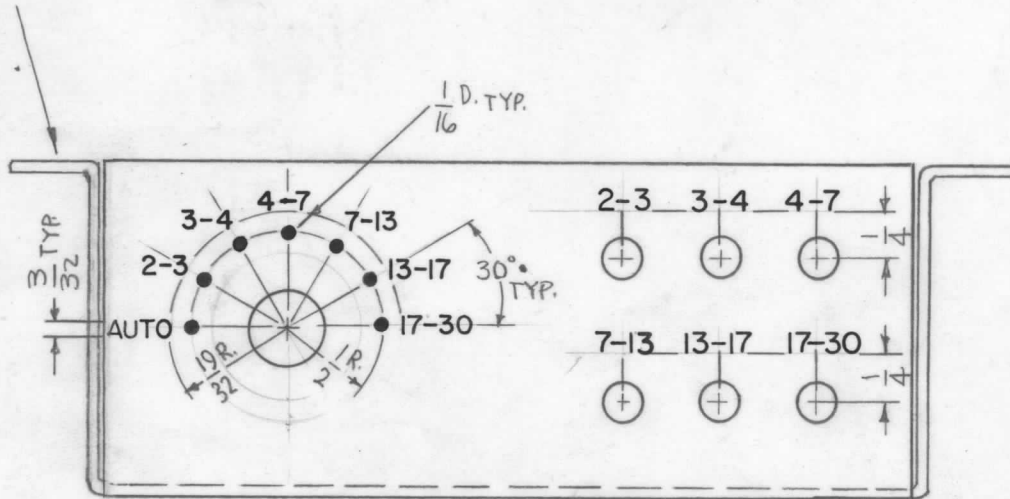


MARK TMC PART NO.  
 LD1979-  
 1/8 HIGH GOTHIC W/LATEST  
 REV. LETTER. (ON LIP)

REQ. PER UNIT 1	USED ON		
	MODEL TST-10K	ASSY. NO.	DATE 7-30-65
LD1979			



MARKING PROCESS: AS PER TMC SPECIFICATION S-727.

LETTERING: 1/8 HIGH BLACK GOTHIC, LOCATED AS SHOWN.

REF: MS 4710

REQ. ITEM	PART NO.	F. BUDETTI	DESCRIPTION	SYMBOL						
			THE TECHNICAL MATERIEL CORP. MAMARONECK. NEW YORK							
			MARKING, CHASSIS, CONTROL							
			MARKING PROCESS: AS PER TMC SPEC. S727							
Ø	ORIGINAL RELEASE FOR PRODUCTION	6/14/66	Ø CV.	AD						
SYM	DESCRIPTION	DATE	CH. NO.	DRAFTS	CHECKER	ENG. APP.	MATERIAL			
UNLESS OTHERWISE SPECIFIED DIMENSIONS ARE IN INCHES AND INCLUDE CHEMICALLY APPLIED OR PLATED FINISHES		SCALE	1:1							
DECIMALS .X ± .05 .XX ± .01 .XXX ± .005	TOLERANCES	FRACTIONS ± 1/64 ANGLES ± 0° 30'	CODE	A.						
							006-1466			LD1979
							FINISH & SPEC. NO.	ELEC. DES. APP.	MECH. DES. APP.	