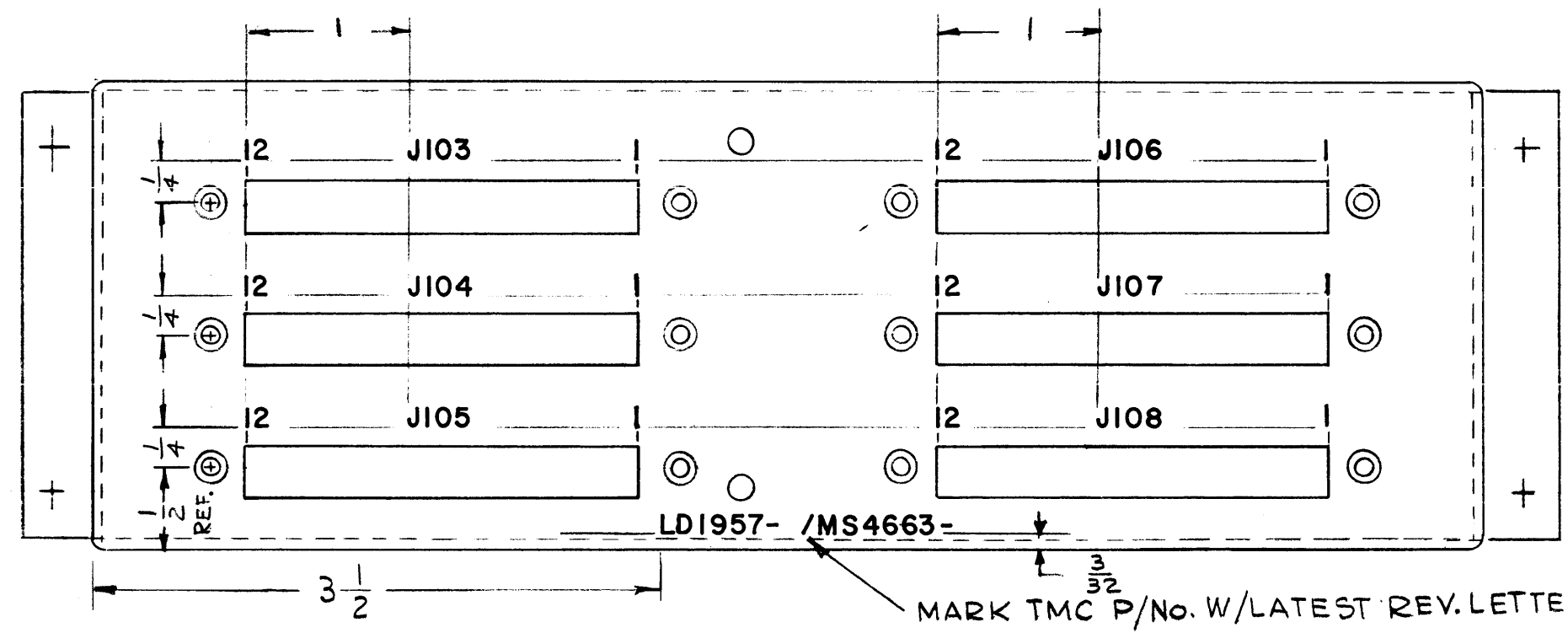


MARKING PROCESS: AS PER TMC SPECIFICATION S-727.
 LETTERING: 1/8 HIGH BLACK GOTHIC, LOCATED AS SHOWN.

LD1957

REVISIONS						
SYM	DESCRIPTION	DATE	E.M.N. NO.	DRAFT	CHKD	APPD
X1	TMC PT/NO. RELOCATED	9-17-65	X1	G.D.L		
Ø	ORIGINAL RELEASE FOR PRODUCTION	10/26/65	Ø			



EXTERIOR VIEW SHOWN

REF. MS 4663

REQ'D.	ITEM	PART NUMBER	DESCRIPTION	SYMBOL
LANGER LIST OF MATERIAL				
MATERIAL			THE TECHNICAL MATERIEL CORP. MAMARONECK, NEW YORK	
FINISH			TITLE MARKING, CHASSIS, WRAPAROUND	
UNLESS OTHERWISE SPECIFIED DIMENSIONS ARE IN INCHES AND INCLUDE CHEMICALLY APPLIED OR PLATED FINISHES			DRAWN <i>PM</i>	DATE 1/1/65
			CHECKED <i>OKS</i>	DATE 9/29/65
			ELECT. DES. <i>R</i>	DATE 10/26/65
			MECH. DES. <i>R</i>	DATE
			LD1957	
			SHEET	REV. LTR.

1	RASB-1	A 5188
1	RARB-1	A 5188
Q'TY./UNIT	MODEL USED ON	ASS'Y. NO.
SCALE 1:1	CODE A	
THE CONTENTS OF THIS DRAWING ARE THE EXCLUSIVE PROPERTY OF THE TECHNICAL MATERIEL CORP. ITS UNAUTHORIZED USE OR REPRODUCTION IN WHOLE OR IN PART IS STRICTLY FORBIDDEN.		

NOTES

DECIMALS
.X ± .05
.XX ± .01
.XXX ± .005

FRACTIONS
± 1/64
ANGLES
± 0° 30'

TOLERANCES

M/L 10/27/65