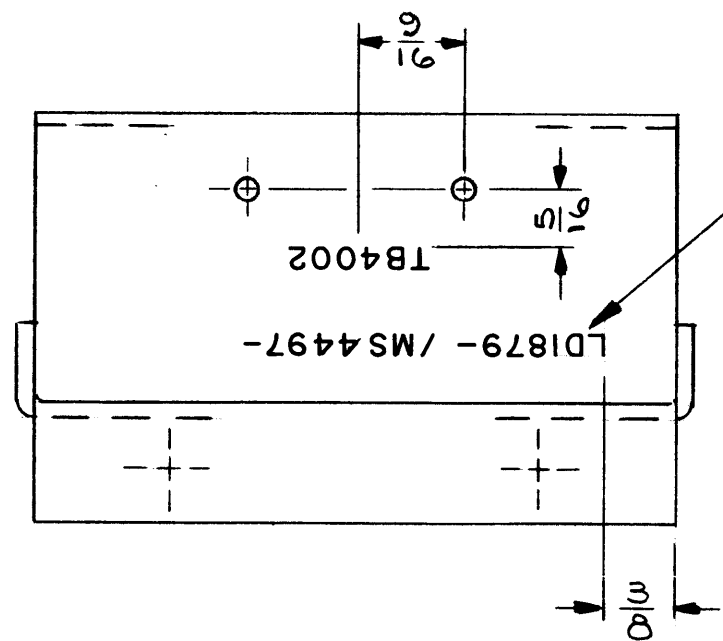
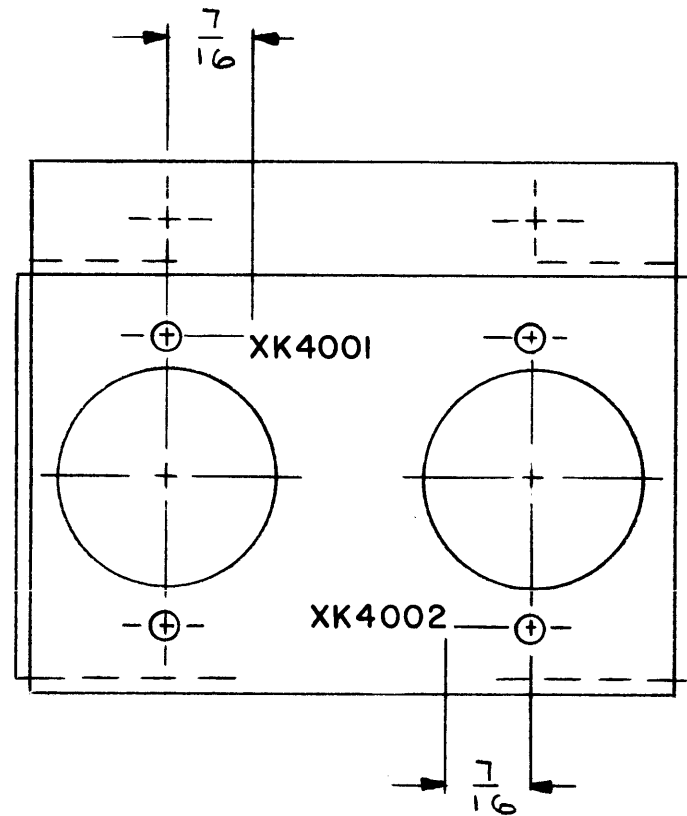


- BOTTOM VIEW -



MARK TMC PT. NO. W/LATEST REV. LETTER

LD1879 Ø

REVISIONS						
SYM	DESCRIPTION	DATE	E.M.N. NO.	DRAFT	CHKD	APPD
Ø	ORIG. RELEASE FOR PRODUCTION	4/30/65		JL		

- UNLESS OTHERWISE SPECIFIED -

1- MARKING PROCESS: AS PER TMC SPECIFICATION S-727.

2- LETTERING: 1/8 HIGH BLACK GOTHIC, LOCATED AS SHOWN.

REF. : MS 44 97

REQ'D.	ITEM	PART NUMBER	DESCRIPTION	SYMBOL
F. E. EATON LIST OF MATERIAL				
MATERIAL		THE TECHNICAL MATERIEL CORP. MAMARONECK, NEW YORK		
FINISH		TITLE MARKING - BRACKET, RELAY MTG		
UNLESS OTHERWISE SPECIFIED DIMENSIONS ARE IN INCHES AND INCLUDE CHEMICALLY APPLIED OR PLATED FINISHES		DRAWN J. LESHINSKI DATE 4/29/65	FINAL APPROVAL DATE 4/30/65	DATE 4/30/65
DECIMALS .X ± .05 .XX ± .01 .XXX ± .005		TOLERANCES FRACTIONS ± 1/64 ANGLES ± 0° 30'		ELECT. DES. DATE 4/29/65
MECH. DES. DATE 4/29/65		SHEET LD1879		REV. LTR. Ø

Q'TY./UNIT	MODEL USED ON	ASS'Y. NO.
1	LRCB-1	
1	LRCB-1	
SCALE	CODE	
1/1		

THE CONTENTS OF THIS DRAWING ARE THE EXCLUSIVE PROPERTY OF THE TECHNICAL MATERIEL CORP. ITS UNAUTHORIZED USE OR REPRODUCTION IN WHOLE OR IN PART IS STRICTLY FORBIDDEN.

NOTES