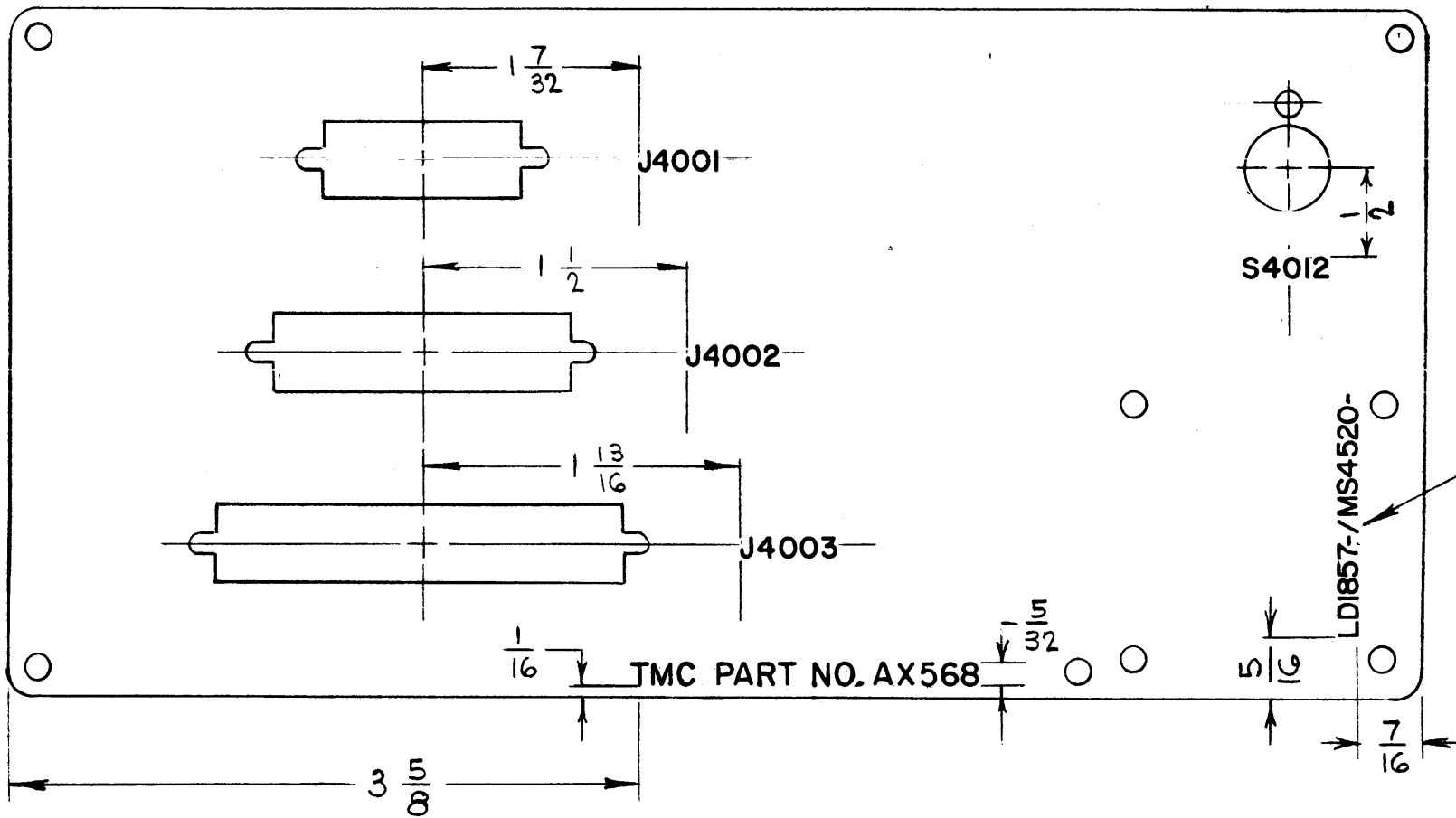


LD1857 B

REVISIONS					
SYM	DESCRIPTION	DATE	E.M.N. NO.	DRAFT	CHKD APPD
Ø	ORIGINAL RELEASE FOR PRODUCTION	4/21/65		HKA	
A	TUNE OVER RIDE, OFF ADDED TO S4012	6/4/65	14196	Ø	JCB JEE
B	LETTERING "TUNE OVER RIDE," "OFF" DELETED	6/22/65	14244	DVV	JCB MMH



UNLESS OTHERWISE SPECIFIED:
 MARKING PROCESS: AS PER TMC SPECIFICATION S-727.
 LETTERING: 1/8 HIGH BLACK GOTHIC, LOCATED AS SHOWN.

MARK TMC PART NO. W/LATEST REV. LETTER, LOCATED AS SHOWN.

REF.: MS4520

REQ'D.	ITEM	PART NUMBER	DESCRIPTION	SYMBOL
M. ZETENA LIST OF MATERIAL				
MATERIAL		THE TECHNICAL MATERIEL CORP. MAMARONECK, NEW YORK		
FINISH		TITLE MARKING, PLATE, REAR, XMTR		
UNLESS OTHERWISE SPECIFIED DIMENSIONS ARE IN INCHES AND INCLUDE CHEMICALLY APPLIED OR PLATED FINISHES		DRAWN H. AUSTIN DATE 4-20-65	FINAL APPROVAL <i>[Signature]</i> DATE 4/22/65	DATE 4/23/65
DECIMALS .X ± .05 .XX ± .01 .XXX ± .005		FRACTIONS ± 1/64 ANGLES ± 0° 30'		ELECT. DES. DATE 4-22-65
TOLERANCES		MECH. DES. <i>[Signature]</i>		SHEET LD1857 REV. LTR. B

Q'TY./UNIT	MODEL USED ON	ASS'Y. NO.
SCALE	CODE	
1	LRCM-1	AX568
1:1		

NOTES

THE CONTENTS OF THIS DRAWING ARE THE EXCLUSIVE PROPERTY OF THE TECHNICAL MATERIEL CORP. ITS UNAUTHORIZED USE OR REPRODUCTION IN WHOLE OR IN PART IS STRICTLY FORBIDDEN.