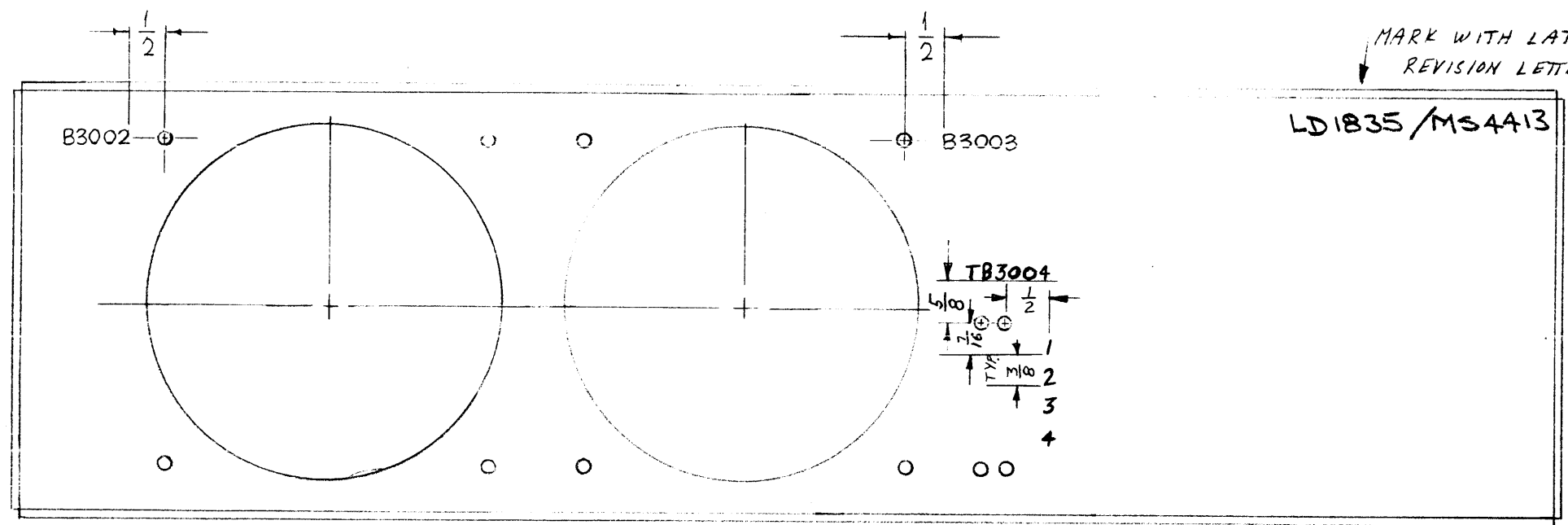


LD 1835

REVISIONS					
SYM	DESCRIPTION	DATE	E.M.N. NO.	DRAFT	CHKD APPD
X	EXPERIMENTAL RELEASE	25 Mar 65		BPM	
XI	B3002, B3003 RELOCATED	7-2-65		JC	
Ø	ORIGINAL RELEASE FOR PRODUCTION	5/3/67	Ø	CV	file



MARKING PROCESS: AS PER TMC SPECIFICATION S-727.  
 LETTERING: 1/8 HIGH BLACK GOTHIC, LOCATED AS SHOWN.

REF: MS4413

REQ'D.	ITEM	PART NUMBER	DESCRIPTION	SYMBOL
B. YAP LIST OF MATERIAL				
MATERIAL		THE TECHNICAL MATERIEL CORP. MAMARONECK, NEW YORK		
FINISH		TITLE MARKING, PLATE, MTO, TOP FAN		
UNLESS OTHERWISE SPECIFIED DIMENSIONS ARE IN INCHES AND INCLUDE CHEMICALLY APPLIED OR PLATED FINISHES		DRAWN B1/1	DATE 25 Mar 65	FINAL APPROVAL [Signature]
		CHECKED [Signature]	DATE 7/22/65	DATE 5/3/67
		ELECT. DES. [Signature]	DATE	LD 1835
		MECH. DES. [Signature]	DATE	Ø
		SHEET		REV. LTR.

1	TSTE 10K / AX 563	A 5010
Q'TY./UNIT	MODEL USED ON	ASS'Y. NO.
SCALE	CODE	
THE CONTENTS OF THIS DRAWING ARE THE EXCLUSIVE PROPERTY OF THE TECHNICAL MATERIEL CORP. ITS UNAUTHORIZED USE OR REPRODUCTION IN WHOLE OR IN PART IS STRICTLY FORBIDDEN.		

NOTES