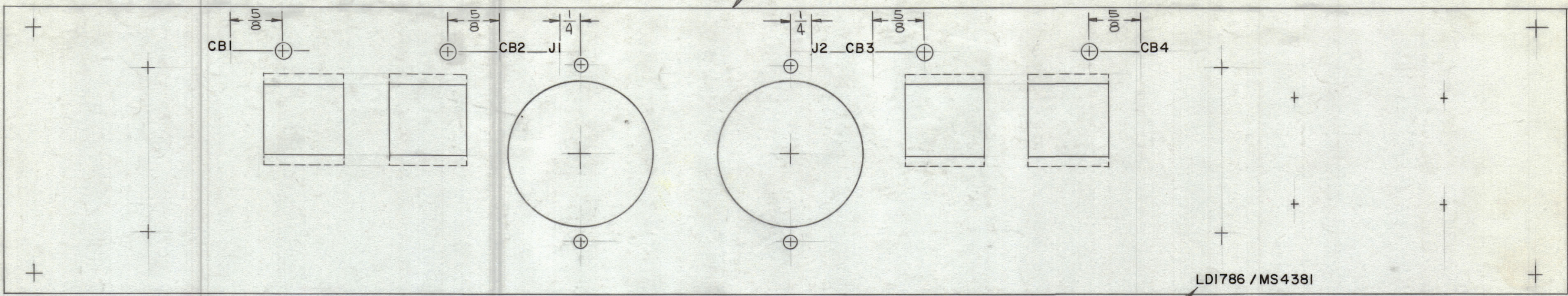


MARKING PROCESS: AS PER TMC SPEC. S-727.
 LETTERING: 1/8 HIGH BLACK GOTHIC, LOCATED AS SHOWN.

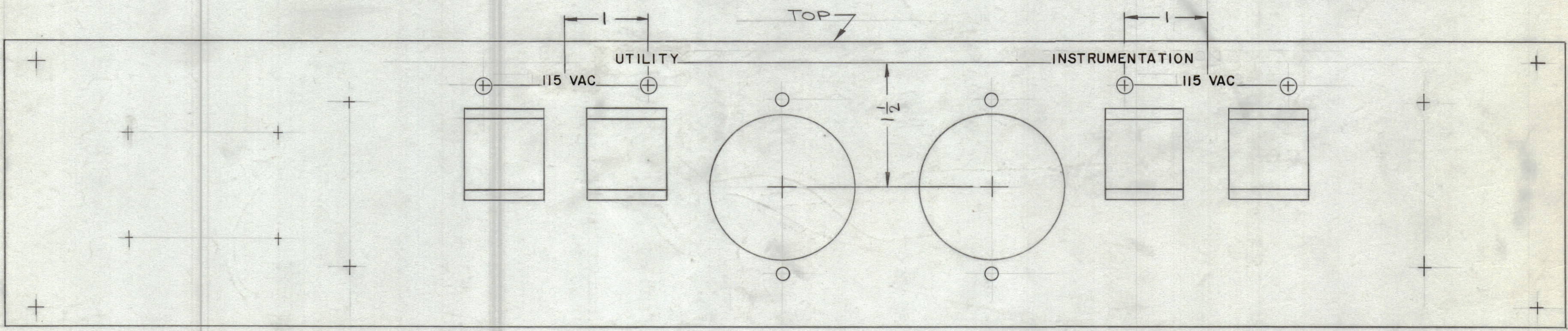
REVISIONS					
ZONE	SYM	DESCRIPTION	DATE	E.M.N. NO.	APPD
X		EXPERIMENTAL RELEASE	2-17-65		HCA
Ø		ORIGINAL RELEASE FOR PRODUCTION	3-1-65	Ø	DF

MARKING
REAR VIEW



LD1786 / MS4381
 MARK TMC PART NO. W/LATEST REVISION LETTER.

ENGRAVING
FRONT VIEW



LD1786
Ø

HEIGHT OF LETTERS	DEPTH OF STROKE	WIDTH OF STROKE
1/8	.010	.020

- UNLESS OTHERWISE SPECIFIED:
1. ALL LETTERING TO BE WHITE FILLED.
 2. ENGRAVING TO BE GOTHIC SIZE SHOWN ON CHART.
 3. ALL ENGRAVING AS PER TMC SPEC. 55CC.

REF: MS4381

REQ'D.	ITEM	PART NUMBER	DESCRIPTION	SYMBOL
LIST OF MATERIAL				
MATERIAL		THE TECHNICAL MATERIEL CORP. MAMARONECK, NEW YORK		
FINISH		TITLE MARKING, PANEL, FRONT		
UNLESS OTHERWISE SPECIFIED DIMENSIONS ARE IN INCHES AND INCLUDE CHEMICALLY APPLIED OR PLATED FINISHES		DRAWN H. AUSTIN	DATE 2-17-65	FINAL APPROVAL DATE
DECIMALS .X ± .05 .XX ± .01 .XXX ± .005		CHECKED [Signature]	DATE 2/27/65	DATE
FRACTIONS ± 1/64 ANGLES ± 0° 30'		ELECT. DES. [Signature]	DATE	DATE
TOLERANCES		MECH. DES. [Signature]	DATE	DATE
THE CONTENTS OF THIS DRAWING ARE THE EXCLUSIVE PROPERTY OF THE TECHNICAL MATERIEL CORP. ITS UNAUTHORIZED USE OR REPRODUCTION IN WHOLE OR IN PART IS STRICTLY FORBIDDEN.			DATE	DATE
NOTES			DATE	DATE

LD1786
Ø