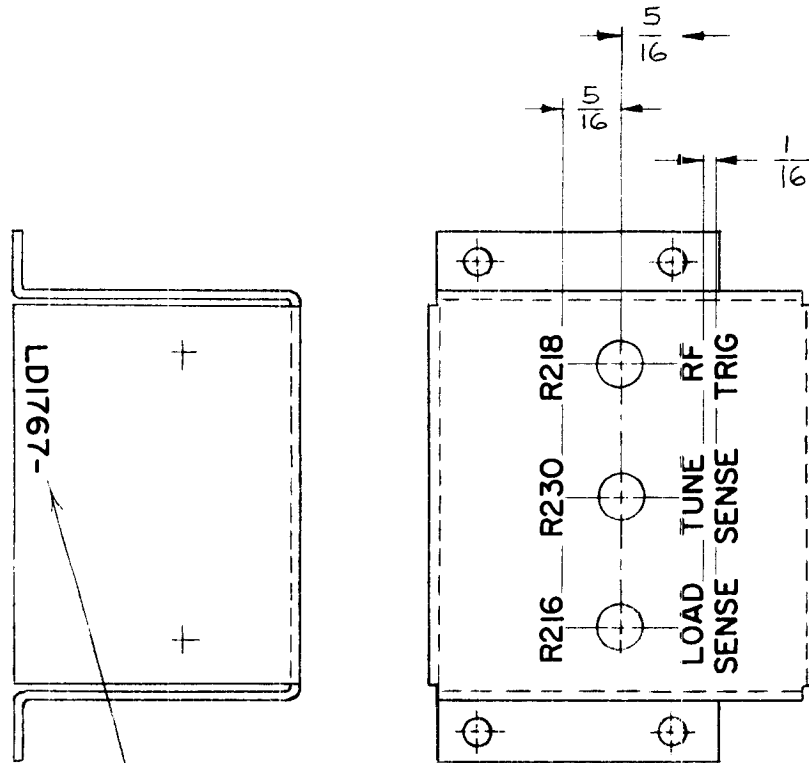


REQ. PER UNIT	USED ON			LD1767	☐
	MODEL	ASS'Y. NO.	DATE		
1	RFTA-1		4.23.1965		



MARK TMC P/N WITH
LATEST REVISION
LETTER.

MARKING PROCESS: AS PER TMC SPECIFICATION S-727.
LETTERING: 1/8 HIGH BLACK GOTHIC, LOCATED AS SHOWN.

REF:MS4314

REQ.	ITEM	PART NO.					F.BUDETTI	DESCRIPTION	SYMBOL
		— # —					THE TECHNICAL MATERIEL CORP. MAMARONECK, NEW YORK		
		STOCK SIZE					MARKING, CHASSIS, SENSING		
		— # —					MARKING PROCESS: TMC S-727		
		MATERIAL							
		— # —	— # —			APB	APB	APB	
		TYPE & TEMPER	HEAT TREAT. SPEC.	DRAWN	CHECKED	FINAL APPROVAL			
		— # —							
		FINISH & SPEC. NO.					ELEC. DES. APP.	MECH. DES. APP.	LD1767