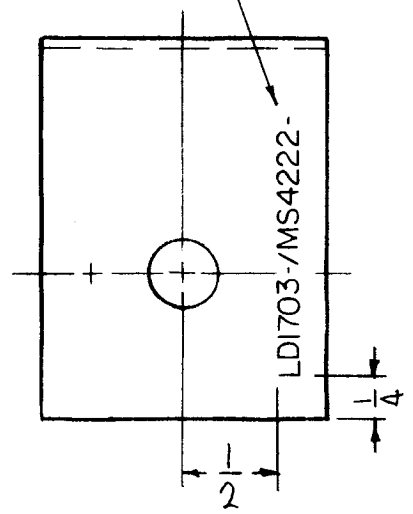
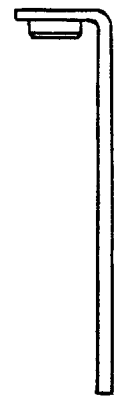
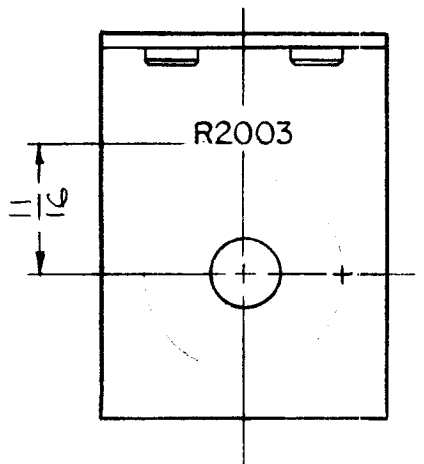


REQ. PER UNIT	USED ON			LD1703	∅
	MODEL	ASS'Y. NO.	DATE		
1	VLLA-1		1-3-65		

MARK TMC NO. 1/8 HIGH
BLACK GOTHIC. WITH
LATEST REVISION
LETTERS.



UNLESS OTHERWISE SPECIFIED:
ALL MARKING AS PER TMC SPECIFICATION 5727.
ALL LETTERING 1/8 HIGH, BLACK GOTHIC.

REF TMC DWG NO MS4222-

REQ.	ITEM	PART NO.	F. BUDETTI	DESCRIPTION	SYMBOL
			THE TECHNICAL MATERIEL CORP. MAMARONECK, NEW YORK		
			MARKING & BRKT VARIABLE RESISTOR MTG		
∅					
X1	MARKING RE-LOCATED	11-6-65	X1		
SYM	DESCRIPTION	DATE	CH. NO.	DRAFTS	CHECKER
UNLESS OTHERWISE SPECIFIED DIMENSIONS ARE IN INCHES AND INCLUDE CHEMICALLY APPLIED OR PLATED FINISHES		SCALE	1:1		
DECIMALS .X ± .05 .XX ± .01 .XXX ± .005		FRACTIONS ± 1/64 ANGLES ± 0° 30'	CODE A		
TOLERANCES					
FINISH & SPEC. NO.		ELEC. DES. APP.	MECH. DES. APP.	LD1703 ∅	