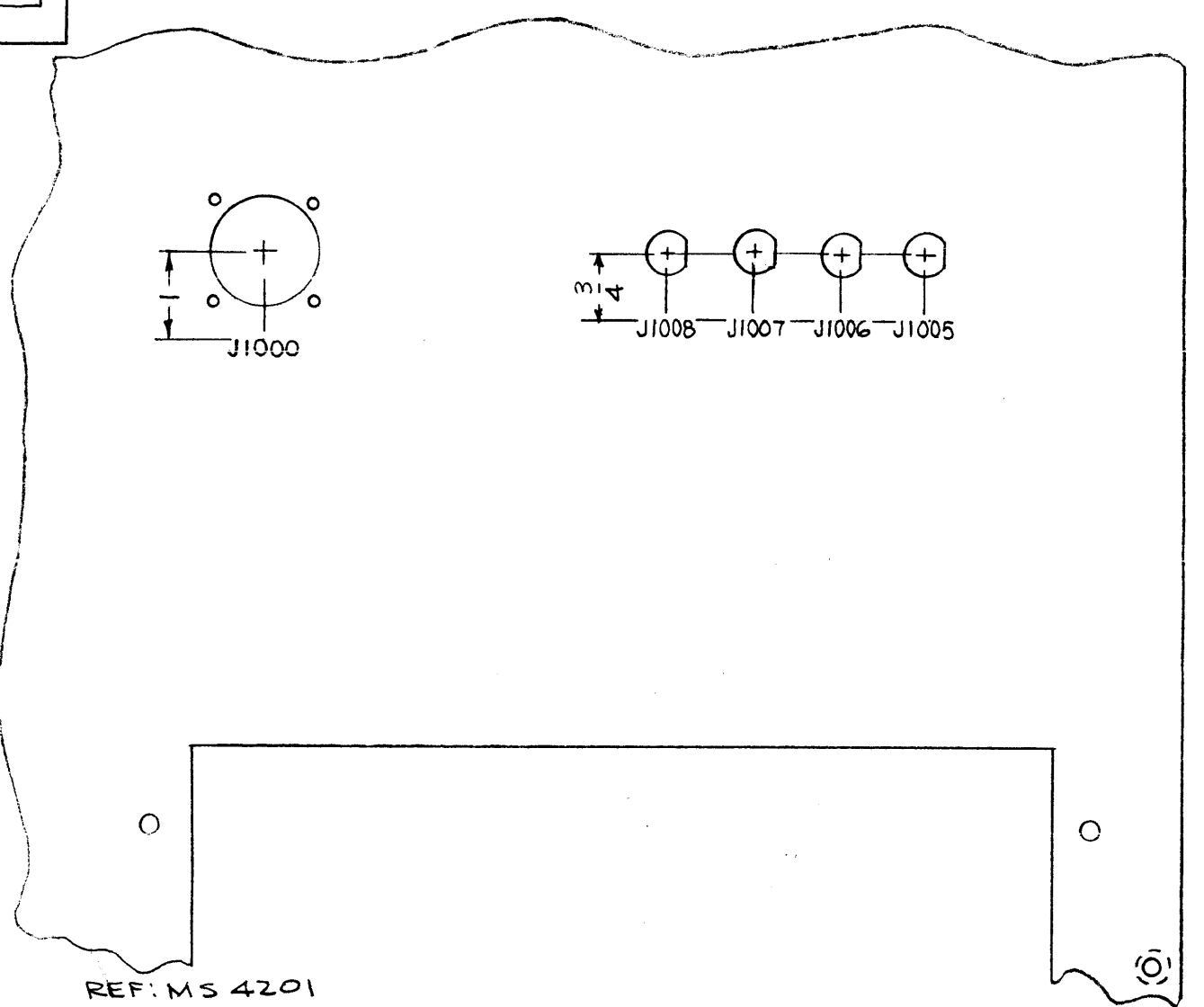
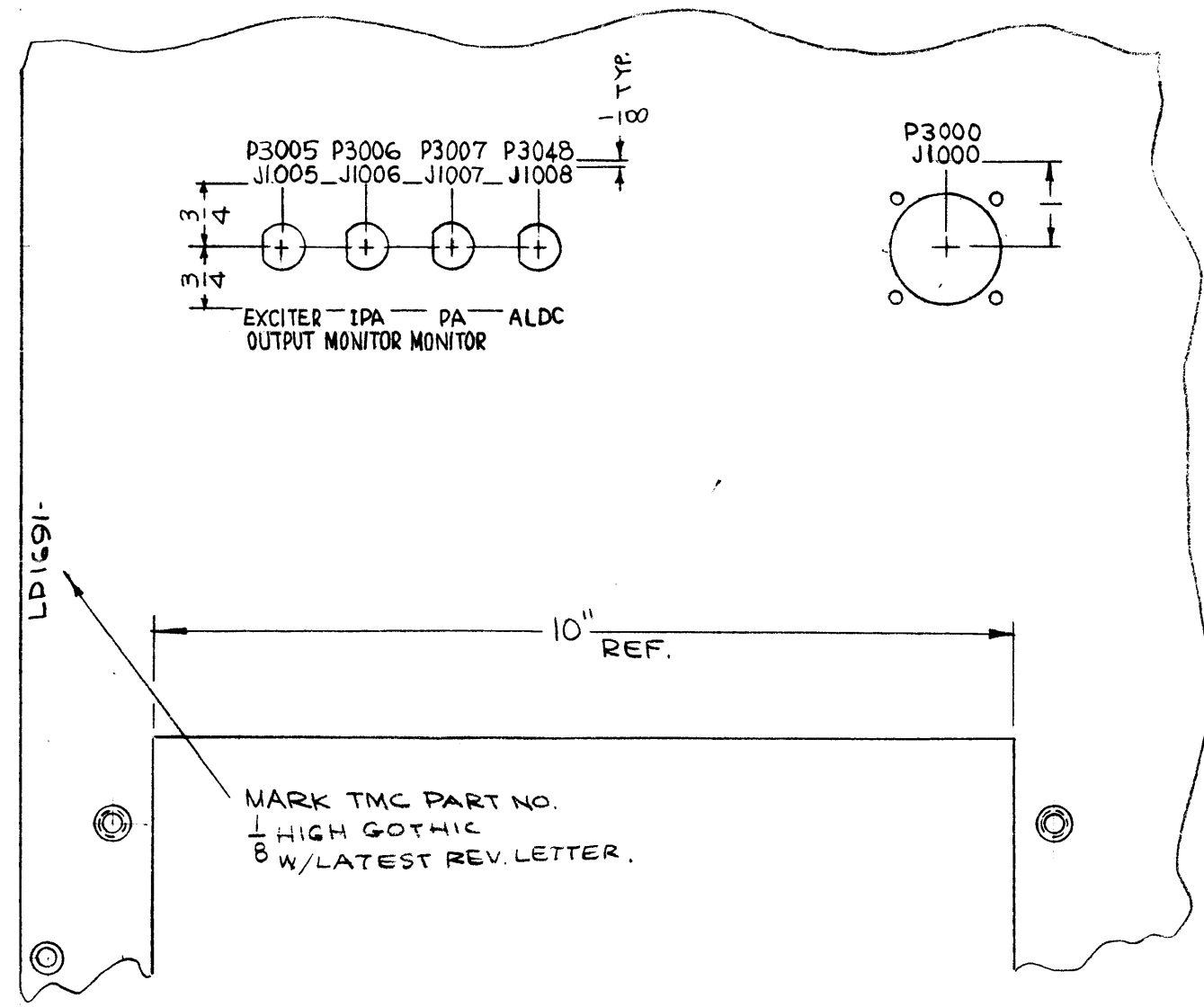


LD1691

REVISIONS						
SYM	DESCRIPTION	DATE	E.M.N. NO.	DRAFT	CHKD	APFD
X1	MS4201 DELETED FROM TMC PT. NO.	12-27-65		Jc		
Ø	ORIGINAL RELEASE FOR PRODUCTION	12/27/65	Ø	Z.V.		file



**MARKING PROCESS: AS PER TMC SPECIFICATION S-727.**  
**LETTERING: 1/8 HIGH BLACK GOTHIC, LOCATED AS SHOWN.**

1	GPT-10KLF	
Q'TY./UNIT	MODEL USED ON	ASS'Y. NO.
SCALE 1/2:1	CODE A	
THE CONTENTS OF THIS DRAWING ARE THE EXCLUSIVE PROPERTY OF THE TECHNICAL MATERIEL CORP. ITS UNAUTHORIZED USE OR REPRODUCTION IN WHOLE OR IN PART IS STRICTLY FORBIDDEN.		

REQ'D.	ITEM	PART NUMBER	DESCRIPTION	SYMBOL
<b>F. BUDETTI LIST OF MATERIAL</b>				
MATERIAL		THE TECHNICAL MATERIEL CORP. MAMARONECK, NEW YORK		
FINISH		TITLE MARKING, SHIELD, LEFT SIDE MARKING PROCESS: AS PER TMC SPEC. S-727		
UNLESS OTHERWISE SPECIFIED DIMENSIONS ARE IN INCHES AND INCLUDE CHEMICALLY APPLIED OR PLATED FINISHES		DRAWN <i>[Signature]</i>	DATE 11-1-65	FINAL APPROVAL <i>[Signature]</i>
DECIMALS .X ± .05 .XX ± .01 .XXX ± .005		CHECKED <i>[Signature]</i>	DATE 12-28-65	DATE
FRACTIONS ± 1/64 ANGLES ± 0° 30'		ELECT. DES. <i>[Signature]</i>	DATE	DATE
TOLERANCES		MECH. DES. <i>[Signature]</i>	DATE	DATE
NOTES		SHEET		REV. LTR.
		LD1691		Ø
		M/L ZS		