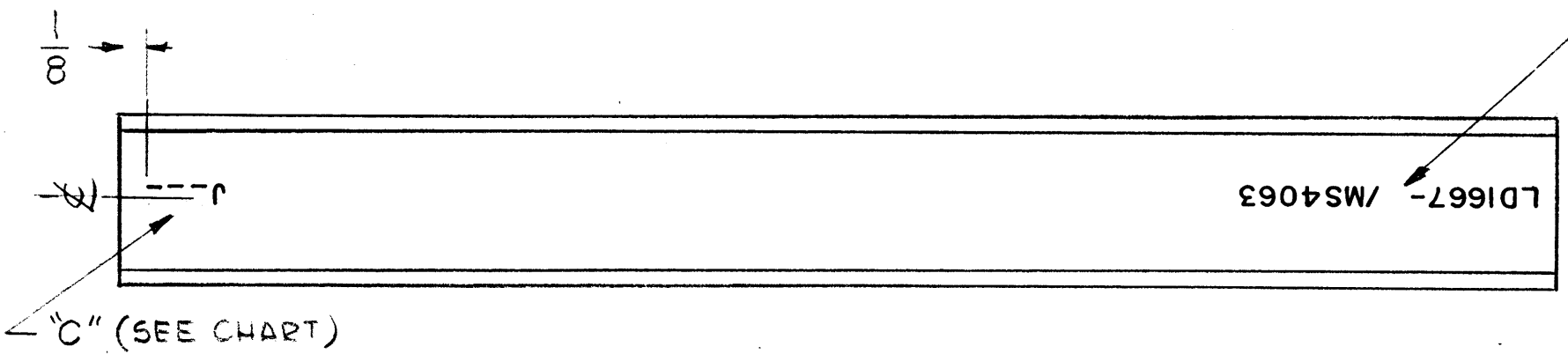
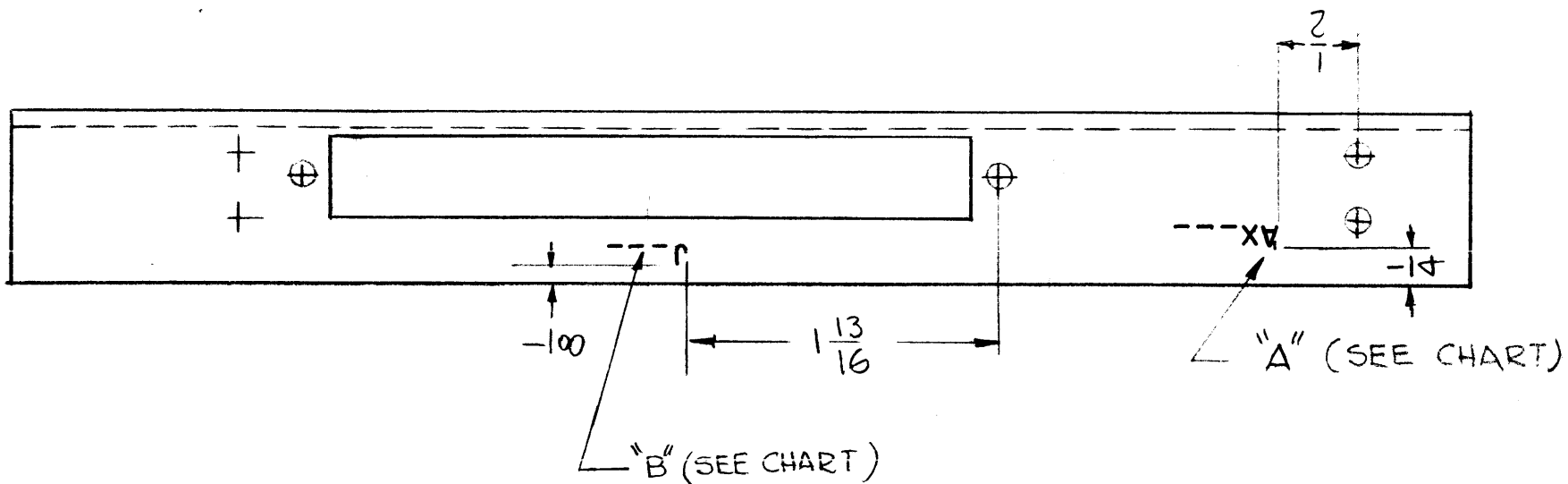


CHART				
TMC P/N	A	B	C	REQ'D
LD1667-1	AX524	J208	J214	1
LD1667-2	AX525	J209	J215	1
LD1667-3	AX526	J210	J216	1

SYM	DESCRIPTION	REVISIONS				
		DATE	EM N NO	DRAFT	CHKD	APPD
Y	EXPER. RELEASE	12-9-64		G.D.L		
Ø	ORIGINAL RELEASE FOR PRODUCTION	8/7/69	Ø	Ø		

LD1667



MARK TMC PART No. WITH LATEST REVISION LETTER

REF: MS 4063

**MARKING PROCESS: AS PER TMC SPECIFICATION S-727.**  
**LETTERING: 1/8 HIGH BLACK GOTHIC, LOCATED AS SHOWN.**

Q'TY./UNIT	VLBB - 1	MODEL USED ON	ASS'Y. NO.
SCALE	1:1	CODE	A

THE CONTENTS OF THIS DRAWING ARE THE EXCLUSIVE PROPERTY OF THE TECHNICAL MATERIEL CORP. ITS UNAUTHORIZED USE OR REPRODUCTION IN WHOLE OR IN PART IS STRICTLY FORBIDDEN.

REQ'D.	ITEM	PART NUMBER	DESCRIPTION	SYMBOL
	0. POSE		LIST OF MATERIAL	
	MATERIAL		THE TECHNICAL MATERIEL CORP. MAMARONECK, NEW YORK	
	FINISH		TITLE MARKING, CHANNEL, MTG RF. CONNECTOR MARKING PROCESS: PER TMC SPEC. S 727	
	UNLESS OTHERWISE SPECIFIED DIMENSIONS ARE IN INCHES AND INCLUDE CHEMICALLY APPLIED OR PLATED FINISHES		DRAWN G.D.L	DATE 12-9-64
			CHECKED	DATE 8/7/69
			ELECT. DES.	DATE
			MECH. DES.	DATE
			SHEET	REV. LTR.

NOTES