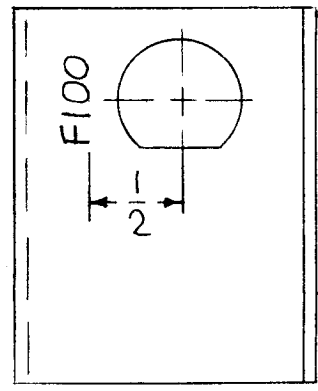
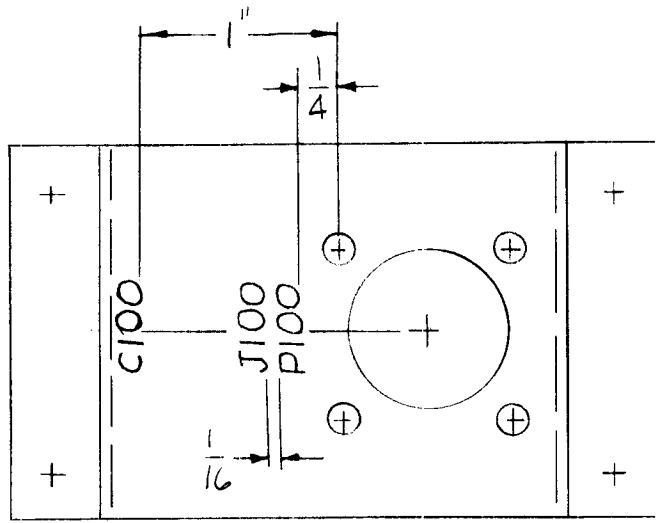


REQ. PER UNIT	USED ON			LD1507	Ø
	MODEL	ASS'Y. NO.	DATE		
1	TRC-20K		11-7-66		



MARK TMC P/N
(LD1507-)
1/8 HIGH GOTHIC
W/LATEST REV.
LETTER. (ON LIP)

MARKING PROCESS: AS PER TMC SPECIFICATION S-727.

LETTERING: 1/8 HIGH BLACK GOTHIC, LOCATED AS SHOWN.

REF: MS 1611-2

SYM	DESCRIPTION	DATE	CH. NO.	DRAFTS	CHECKER	ENG. APP.	REQ. ITEM	PART NO.	F. BUDETTI	DESCRIPTION	SYMBOL
Ø	ORIGINAL RELEASE	7/15/69		W						THE TECHNICAL MATERIEL CORP. MAMARONECK, NEW YORK	
X	EXP. RELEASE	11-7-66								MARKING, BRKT, CAP, BOTTOM FAN	
										AS PER TMC SPEC S-727	
UNLESS OTHERWISE SPECIFIED DIMENSIONS ARE IN INCHES AND INCLUDE CHEMICALLY APPLIED OR PLATED FINISHES							SCALE				
							TYPE & TEMPER	HEAT TREAT. SPEC.	DRAWN	CHECKED	FINAL APPROVAL
DECIMALS .X ± .05 .XX ± .01 .XXX ± .005							TOLERANCES	FRACTIONS ± 1/64 ANGLES ± 0° 30'	CODE A		
							FINISH & SPEC. NO.	ELEC. DES. APP.	MECH. DES. APP.	LD1507	Ø