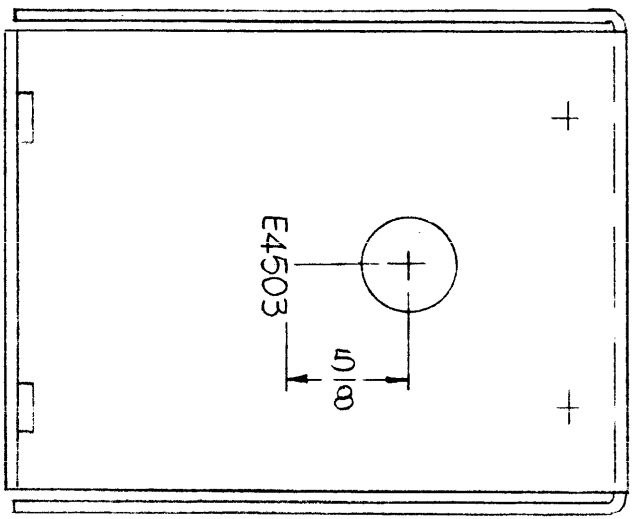


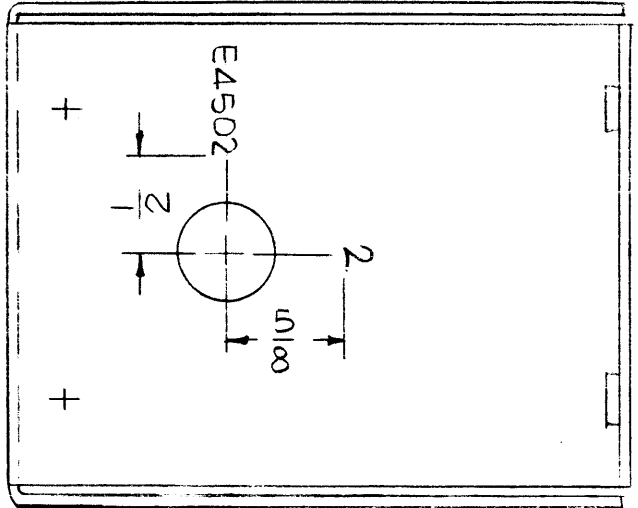
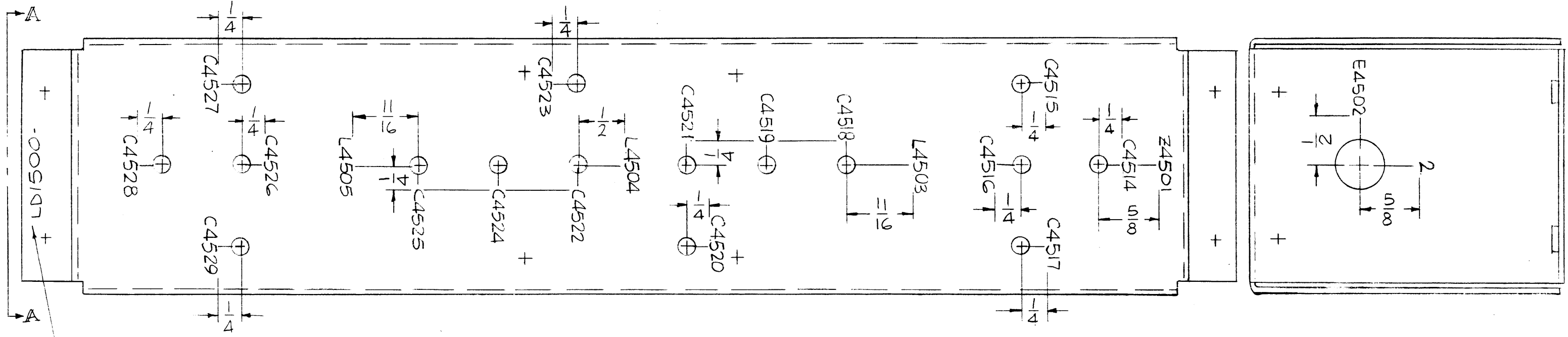
X  
LD1500

REVISIONS

SYM	DESCRIPTION	DATE	E.M.N. NO.	DRAFT	CHKD	APPD
X	EXP. RELEASE	10-10-66	X	MPA	WJ	QOB
Ø	ORIGINAL RELEASE	5/9/73		CS		



VIEW -A-A



MARK TMC P/N  
1/8 HIGH GOTHIC  
W/LATEST REV.  
LETTER.

MARKING PROCESS: AS PER TMC SPECIFICATION S-727.

LETTERING: 1/8 HIGH BLACK GOTHIC, LOCATED AS SHOWN.

REF: MS 5063-

REQ'D.	ITEM	PART NUMBER	DESCRIPTION	SYMBOL
<b>F. BUDETTI LIST OF MATERIAL</b>				
MATERIAL			<b>THE TECHNICAL MATERIEL CORP. MAMARONECK, NEW YORK</b>	
FINISH			TITLE MARKING, BOX, FILTER AS PER TMC SPEC. S-727	
UNLESS OTHERWISE SPECIFIED DIMENSIONS ARE IN INCHES AND INCLUDE CHEMICALLY APPLIED OR PLATED FINISHES			DRAWN <i>[Signature]</i>	DATE 9-30-66
			CHECKED <i>[Signature]</i>	DATE
DECIMALS .X ± .05 .XX ± .01 .XXX ± .005			TOLERANCES	
			FRACTIONS ± 1/64 ANGLES ± 0° 30'	
THE CONTENTS OF THIS DRAWING ARE THE EXCLUSIVE PROPERTY OF THE TECHNICAL MATERIEL CORP. ITS UNAUTHORIZED USE OR REPRODUCTION IN WHOLE OR IN PART IS STRICTLY FORBIDDEN.			ELECT. DES. <i>[Signature]</i>	DATE
			MECH. DES.	DATE
NOTES			FINAL APPROVAL <i>[Signature]</i> DATE 5/9/73	
SCALE 1:1			SHEET LD1500	
			REV. LTR. Ø	