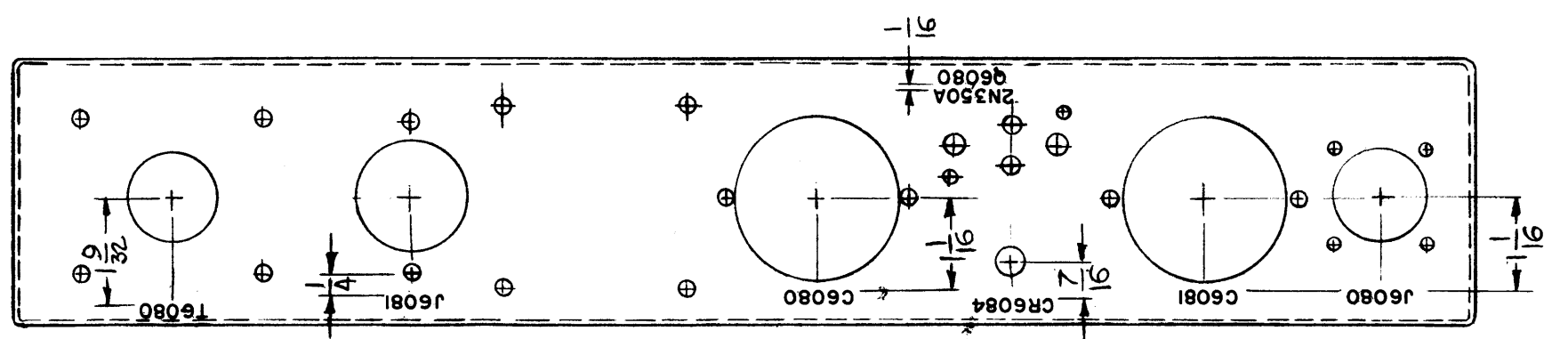
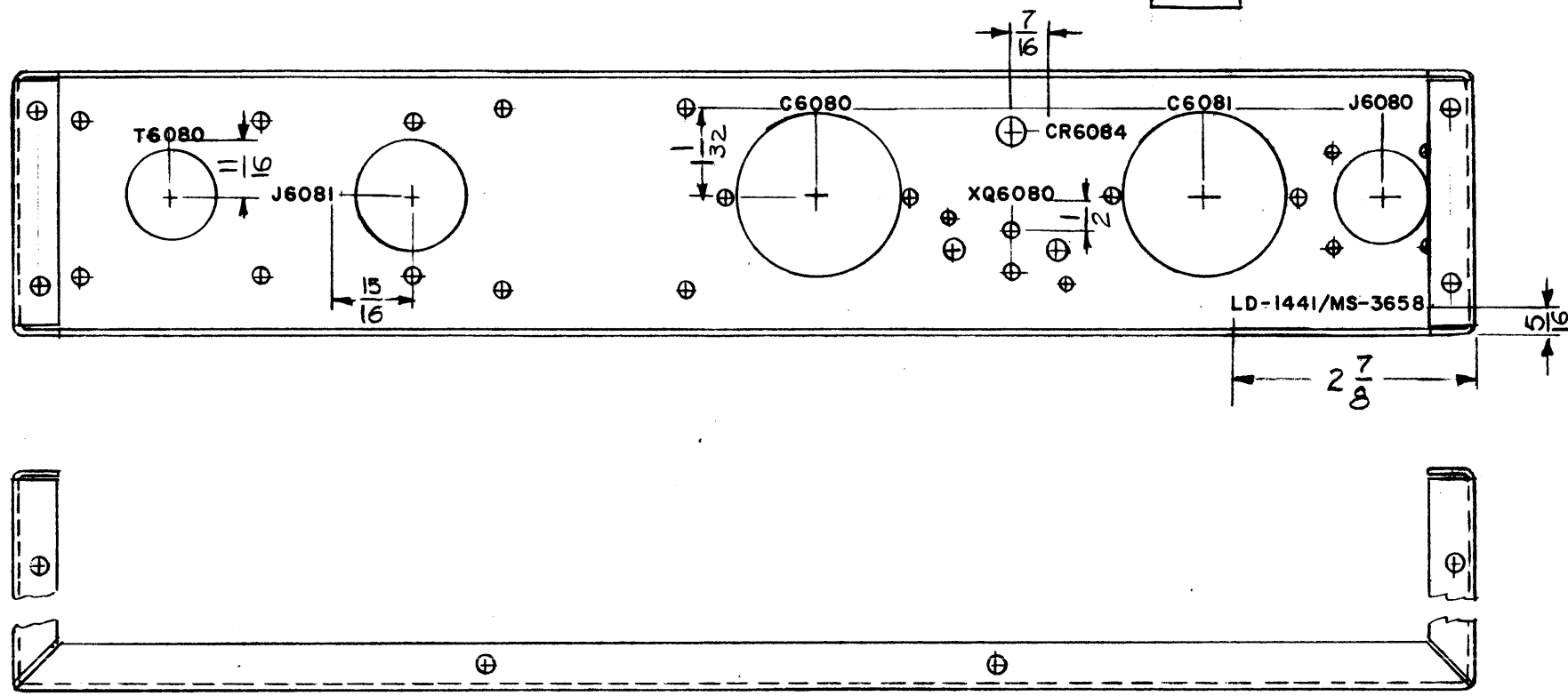


LD-1441 O

REVISIONS

SYM	DESCRIPTION	DATE	E.M.N. NO.	DRAFT	CHKD	APPD
O	ORIGINAL RELEASE FOR PRODUCTION	4/29/64	O	A.M.	Ⓢ	



REF.: MS-3658

MARKING PROCESS: AS PER TMC SPECIFICATION S-727.
LETTERING: 1/8 HIGH BLACK GOTHIC, LOCATED AS SHOWN.

1	MPS-1	
Q'TY./UNIT	MODEL USED ON	ASS'Y. NO.
SCALE 1:2	CODE A	

THE CONTENTS OF THIS DRAWING ARE THE EXCLUSIVE PROPERTY OF THE TECHNICAL MATERIEL CORP. ITS UNAUTHORIZED USE OR REPRODUCTION IN WHOLE OR IN PART IS STRICTLY FORBIDDEN.

REQ'D.	ITEM	PART NUMBER	DESCRIPTION	SYMBOL
ALTONEN LIST OF MATERIAL				
MATERIAL			THE TECHNICAL MATERIEL CORP. MAMARONECK, NEW YORK	
FINISH			TITLE MARKING, CHASSIS, ELECTRICAL, MAIN MARKING PROCESS: AS PER TMC SPEC. S-727	
UNLESS OTHERWISE SPECIFIED DIMENSIONS ARE IN INCHES AND INCLUDE CHEMICALLY APPLIED OR PLATED FINISHES		DRAWN G.D.L.	DATE 1-2-64	FINAL APPROVAL RDL
DECIMALS .X ± .05 .XX ± .01 .XXX ± .005		CHECKED Ⓢ	DATE 3-14-64	DATE 3/14/64
FRACTIONS ± 1/64 ANGLES ± 0° 30'		ELECT. DES. TJA	DATE 2-20-64	DATE 2-20-64
TOLERANCES		MECH. DES. MJS	DATE	DATE
			LD-1441	O
			SHEET	REV. LTR.

NOTES