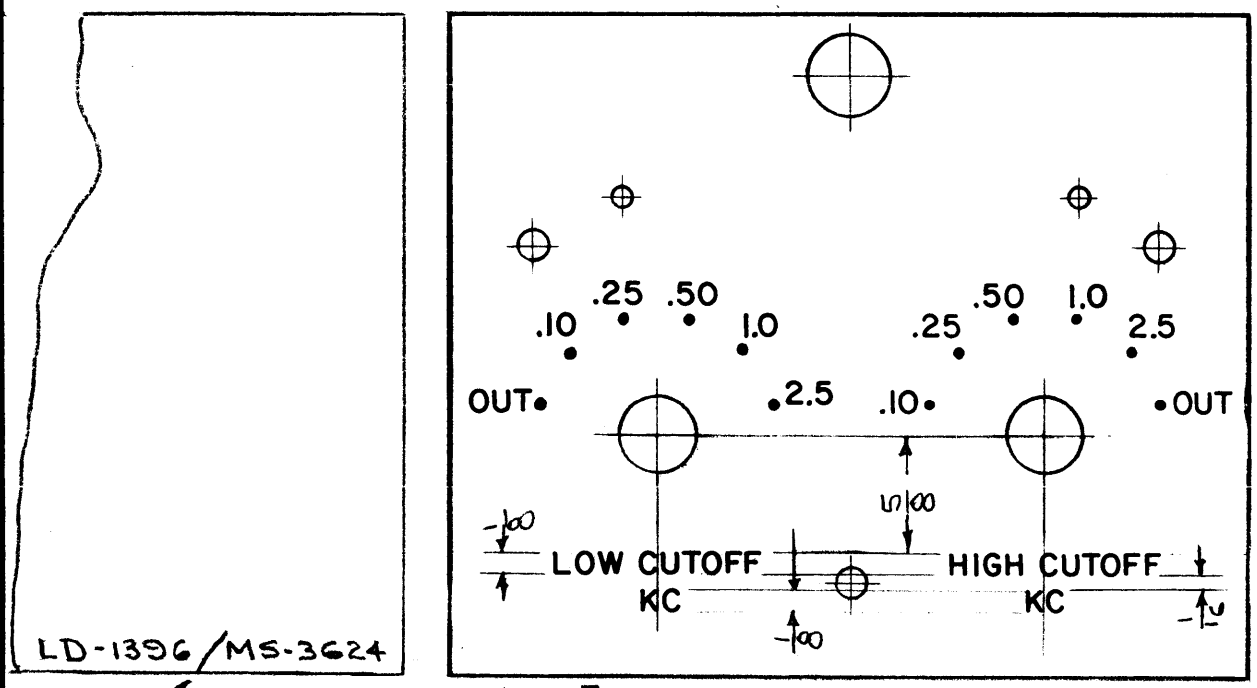


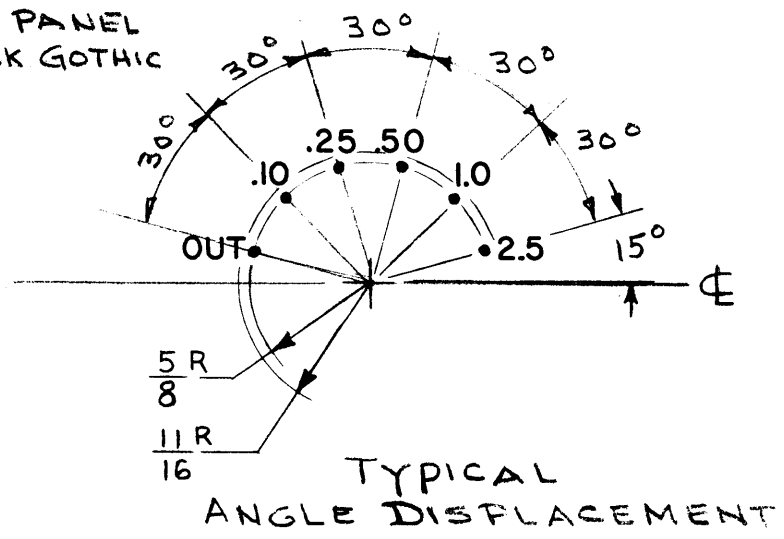
LD-1396 0

REVISIONS						
SYM	DESCRIPTION	DATE	E.M.N. NO.	DRAFT	CHKD	APPD
0	ORIGINAL RELEASE FOR PRODUCTION	4/24/64	0	A.M.	@	



LD-1396/MS-3624

MARK TMC PART NO ON REAR OF PANEL 1/8 HIGH, BLACK GOTHIC



HEIGHT OF LETTER	DEPTH OF STROKE	WIDTH OF STROKE
3/32	.010	.015
1/8	.010	.020
DOTS	.010	1/16 DIA.

- NOTE: UNLESS OTHERWISE SPECIFIED
1. ALL LETTERING TO BE 3/32 HIGH.
 2. ALL ENGRAVING TO BE GOTHIC, WHITE FILLED.
 3. ALL DOTS TO BE WHITE FILLED.

REF: MS-3624

4	MAF-1	
QTY./UNIT	MODEL USED ON	ASS'Y. NO.
SCALE 1:1	CODE A	

THE CONTENTS OF THIS DRAWING ARE THE EXCLUSIVE PROPERTY OF THE TECHNICAL MATERIEL CORP. ITS UNAUTHORIZED USE OR REPRODUCTION IN WHOLE OR IN PART IS STRICTLY FORBIDDEN.

REQ'D.	ITEM	PART NUMBER	DESCRIPTION	SYMBOL
AALTONEN		LIST OF MATERIAL		
MATERIAL		THE TECHNICAL MATERIEL CORP. MAMARONECK, NEW YORK		
FINISH		TITLE MARKING, FRONT PANEL MARKING METHOD: ENGRAVING		
UNLESS OTHERWISE SPECIFIED DIMENSIONS ARE IN INCHES AND INCLUDE CHEMICALLY APPLIED OR PLATED FINISHES		DRAWN <i>N. Peters</i>	DATE 11-21-63	FINAL APPROVAL <i>RJR</i>
		CHECKED <i>@</i>	DATE 4-24-64	DATE 4/29/64
		ELECT. DES. <i>RJR</i>	DATE 4/23/64	DATE
		MECH. DES. <i>RJR</i>	DATE	DATE
		SHEET		REV. LTR.

NOTES