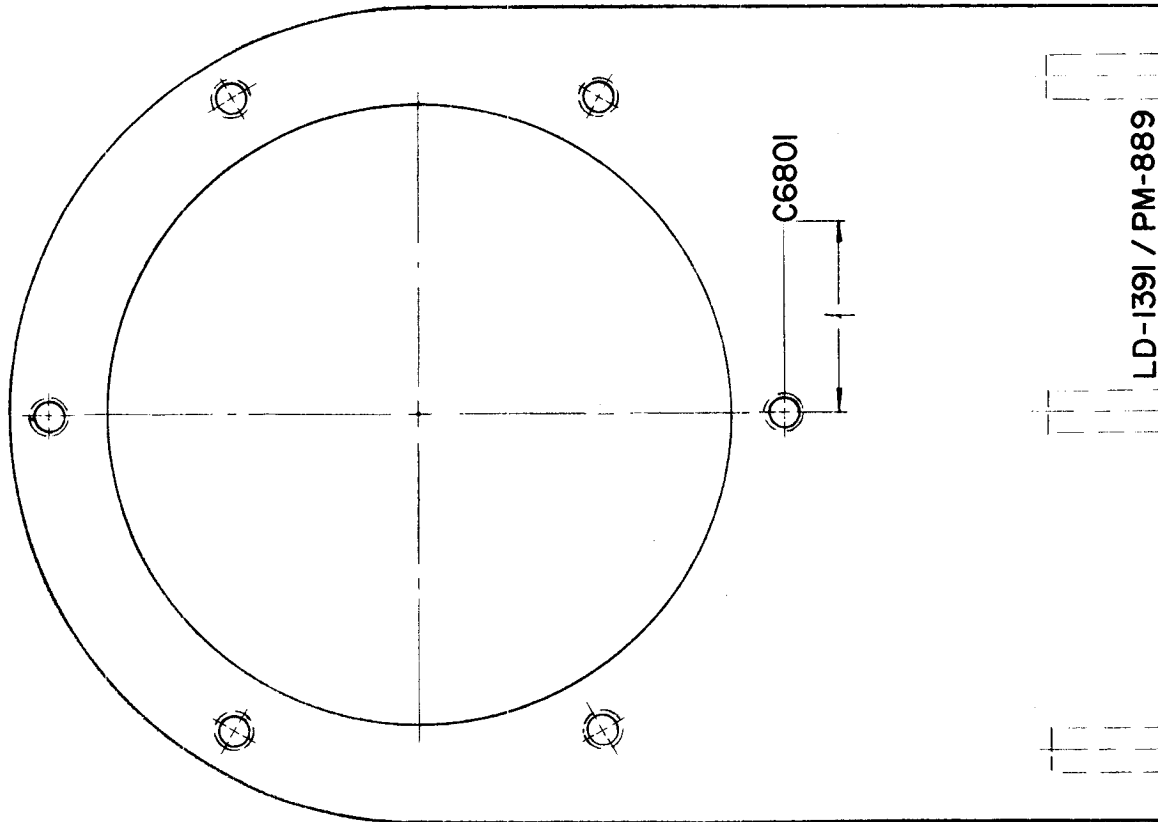


REQ. PER UNIT	USED ON			LD-1391 O
	MODEL	ASS'Y. NO.	DATE	
1	GPT-200K (AT-105)	A-2766	1-23-64	



MARK TMC PART NO.  
W/LATEST REVISIONS

**MARKING PROCESS: AS PER TMC SPECIFICATION S-727.**

**LETTERING: 1/8 HIGH BLACK GOTHIC, LOCATED AS SHOWN.**

REF: PM 889

REQ. ITEM	PART NO.	F. BUDETTI	DESCRIPTION	SYMBOL								
			<b>THE TECHNICAL MATERIEL CORP.</b> MAMARONECK. NEW YORK									
			STOCK SIZE									
0			MARKING PROCESS: AS PER TMC SPEC. S-727									
			MARKING SUPPORT CAPACITOR									
SYM	DESCRIPTION	DATE	CH. NO.	DRAFTS	CHECKER	ENG. APP.	MATERIAL					
	UNLESS OTHERWISE SPECIFIED DIMENSIONS ARE IN INCHES AND INCLUDE CHEMICALLY APPLIED OR PLATED FINISHES	SCALE	1=1					SRG	aa	RJC		
	DECIMALS .X ± .05 .XX ± .01 .XXX ± .005	FRACTIONS ± 1/64 ANGLES ± 0° 30'	CODE	A				TYPE & TEMPER	HEAT TREAT. SPEC.	DRAWN	CHECKED	FINAL APPROVAL
	TOLERANCES									DR	3/19/64	LD-1391 O
							FINISH & SPEC. NO.	ELEC. DES. APP.	MECH. DES. APP.			