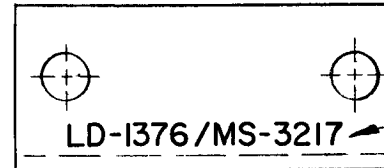
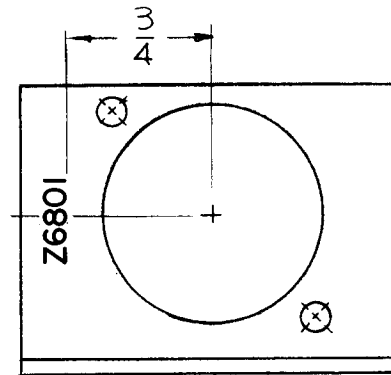
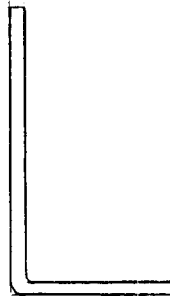
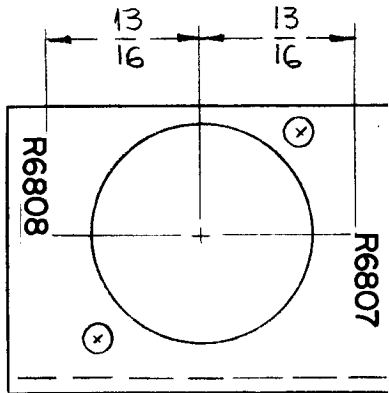


REQ. PER UNIT	USED ON			LD-1376 C
	MODEL	ASS'Y. NO.	DATE	
1	GPT-200K (AT-105)	A-3473	2-27-64	



MARK TMC PART NO. W/LATEST REVISIONS.

MARKING PROCESS: AS PER TMC SPECIFICATION S-727.

LITTING: 1/8 HIGH BLACK GOTHIC, LOCATED AS SHOWN.

REF: MS 3217

REQ. ITEM	PART NO.	F. BUDETTI	DESCRIPTION	SYMBOL
			THE TECHNICAL MATERIEL CORP. MAMARONECK, NEW YORK	
			STOCK SIZE	
○	ORIGINAL RELEASE FOR PRODUCTION	5-13-64	○ A.M.	
SYMBOL	DESCRIPTION	DATE	CH. NO.	DRAFTS
			CHECKER	ENG. APP.
	UNLESS OTHERWISE SPECIFIED DIMENSIONS ARE IN INCHES AND INCLUDE CHEMICALLY APPLIED OR PLATED FINISHES	SCALE	1" = 1"	
DECIMALS	FRACTIONS	CODE		
.X ± .05	± 1/64	A		
.XX ± .01	ANGLES			
.XXX ± .005	± 0° 30'			
	TOLERANCES			
			TYPE & TEMPER	HEAT TREAT. SPEC.
			DRAWN	CHECKED
			SRG	00
			MECH. DES. APP.	FINAL APPROVAL
				RDC
			FINISH & SPEC. NO.	ELEC. DES. APP.
				MECH. DES. APP.
				LD-1376 ○