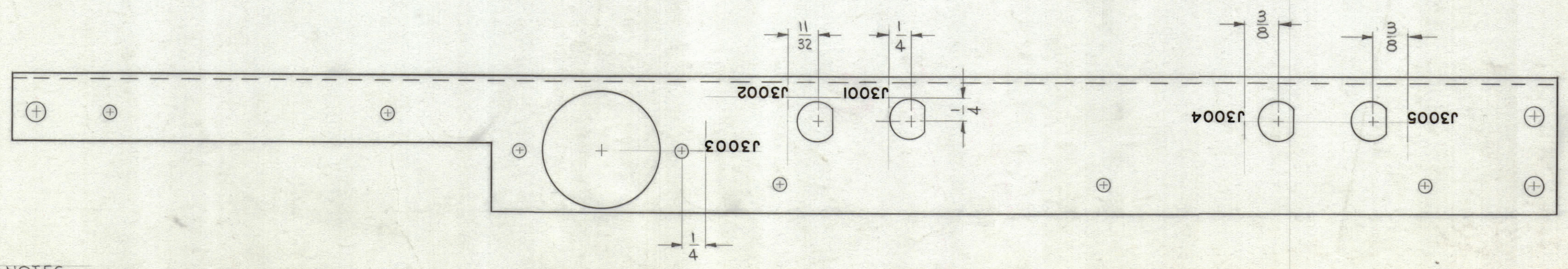
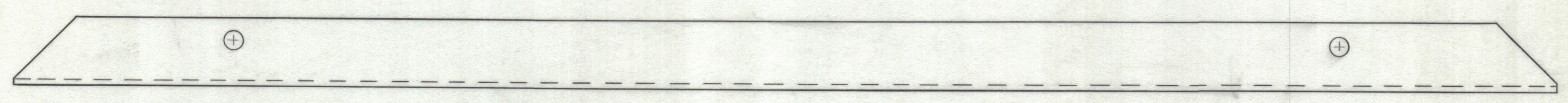
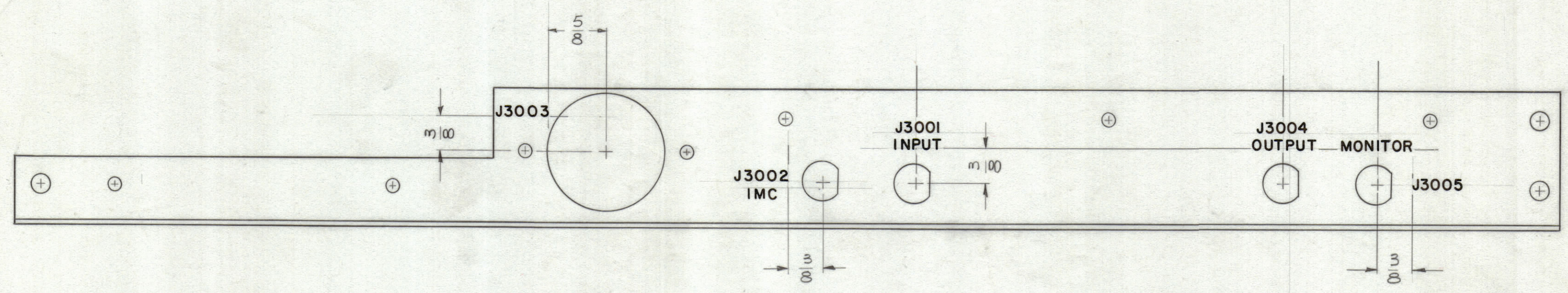


REVISIONS							
ZONE	SYM	DESCRIPTION	DATE	E.M.N. NO.	DRAFT	CHKD	APPD
-	A	REDRAWN NO ENG. CHANGE	12/19/63	10563			



-NOTES-
 MARKING PROCESS: AS PER TMC SPEC. 5727
 LETTERING: 1/8 HIGH BLACK GOTHIC
 LOCATE APPROX. AS SHOWN.
 SPACING BETWEEN LETTER GROUPS 1/16

REF: MS-3362

REQ'D.	ITEM	PART NUMBER	DESCRIPTION	SYMBOL
O. POSE LIST OF MATERIAL				
MATERIAL		THE TECHNICAL MATERIEL CORP. MAMARONECK, NEW YORK		
FINISH		TITLE LETTERING, BACKPLATE MARKING PROCESS: AS PER TMC SPEC. 5727		
UNLESS OTHERWISE SPECIFIED DIMENSIONS ARE IN INCHES AND INCLUDE CHEMICALLY APPLIED OR PLATED FINISHES		DRAWN 12-19-63	DATE	FINAL APPROVAL DATE
DECIMALS .X ± .05 .XX ± .01 .XXX ± .005		CHECKED 12-20-63	DATE	DATE
FRACTIONS ± 1/64 ANGLES ± 0° 30'		ELECT. DES.	DATE	DATE
TOLERANCES		MECH. DES.	DATE	DATE
SHEET				REV. LTR.

QTY./UNIT	MODEL USED ON	ASS'Y. NO.
SCALE 1:1	CODE	---

NOTES

THE CONTENTS OF THIS DRAWING ARE THE EXCLUSIVE PROPERTY OF THE TECHNICAL MATERIEL CORP. ITS UNAUTHORIZED USE OR REPRODUCTION IN WHOLE OR IN PART IS STRICTLY FORBIDDEN.

LD-1318 A