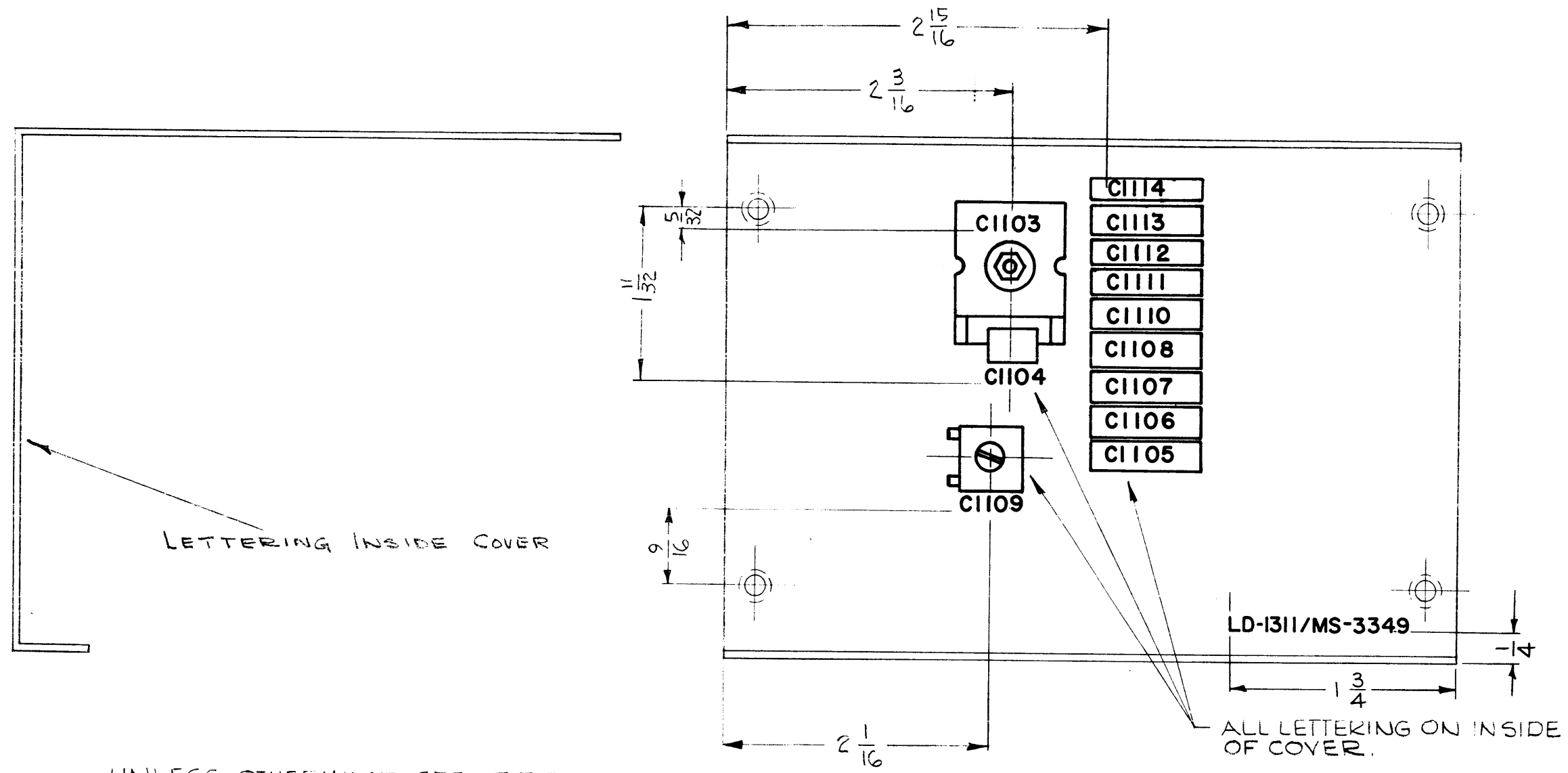


REVISIONS						
SYM	DESCRIPTION	DATE	E.M.N. NO.	DRAFT	CHKD	APPD



UNLESS OTHERWISE SPECIFIED:
 1. ALL LETTERING TO BE 1/8 HIGH
 BLACK GOTHIC, PER TMC SPEC-5727
 2. ALL LINES: WIDTH OF STROKE .015

REF: MS3349

REQ'D.	ITEM	PART NUMBER	DESCRIPTION	SYMBOL
LIST OF MATERIAL				
MATERIAL			THE TECHNICAL MATERIEL CORP. MAMARONECK, NEW YORK	
FINISH			TITLE MARKING, COVER, WRAPAROUND MARKING PROCESS: PER TMC SPEC. 5727	
UNLESS OTHERWISE SPECIFIED DIMENSIONS ARE IN INCHES AND INCLUDE CHEMICALLY APPLIED OR PLATED FINISHES			DRAWN <i>W. Jordan</i>	DATE 5/8/63
DECIMALS .X ± .05 .XX ± .01 .XXX ± .005			CHECKED <i>W. Jordan</i>	DATE 5/8/63
FRACTIONS ± 1/64 ANGLES ± 0° 30'			ELECT. DES. <i>R. Kohn</i>	DATE 5/8/63
TOLERANCES			MECH. DES. <i>W. Jordan</i>	DATE 5/8/63
THE CONTENTS OF THIS DRAWING ARE THE EXCLUSIVE PROPERTY OF THE TECHNICAL MATERIEL CORP. ITS UNAUTHORIZED USE OR REPRODUCTION IN WHOLE OR IN PART IS STRICTLY FORBIDDEN.			FINAL APPROVAL <i>W. Jordan</i>	DATE 5/8/63
NOTES			LD-1311	REV. LTR.

1	TTR-10	AX409
QTY./UNIT	MODEL USED ON	ASS'Y. NO.
SCALE	CODE A	