

THE CONTENTS OF THIS DRAWING ARE THE EXCLUSIVE PROPERTY OF THE TECHNICAL MATERIEL CORP. ITS UNAUTHORIZED USE FOR REPRODUCTION IN WHOLE OR IN PART IS STRICTLY FORBIDDEN.

REQ. PER UNIT

1

USED ON

MODEL

GPT-200K

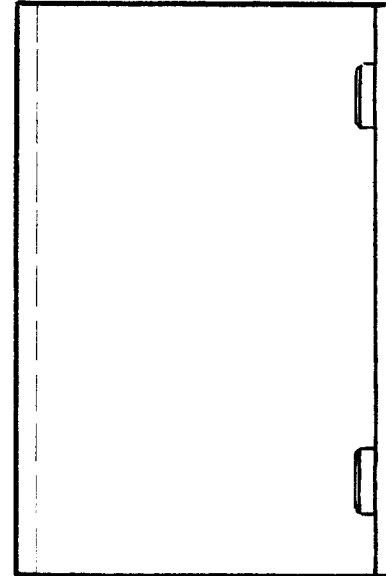
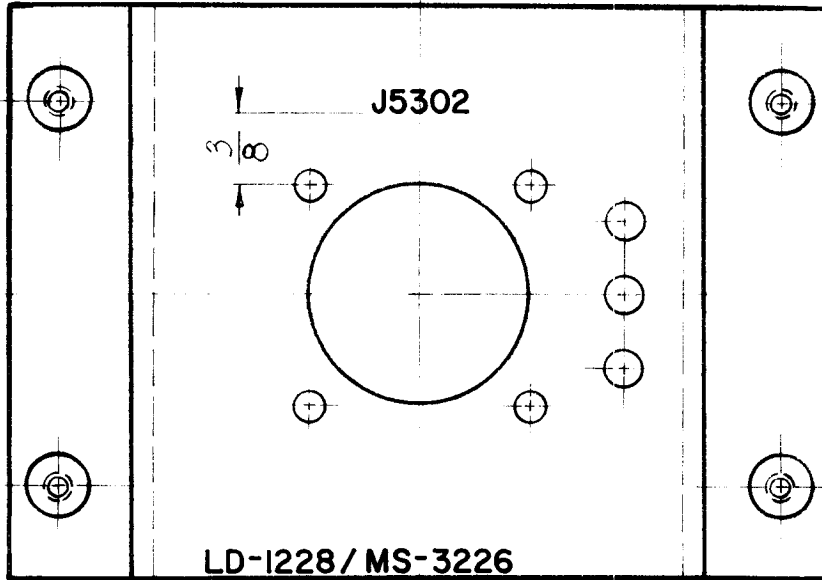
ASS'Y. NO.

AX-395

DATE

1-11-63

LD-1228 0



MARKING PROCESS: AS PER TMC SPECIFICATION S-727.  
 LETTERING: 1/8 HIGH GOTHIC, BLACK LOCATED AS SHOWN.

							REQ. ITEM	PART NO.	F. BUDETTI	DESCRIPTION	SYMBOL	
									THE TECHNICAL MATERIEL CORP. MAMARONECK, NEW YORK			
							STOCK SIZE		LETTERING, CONNECTOR MOUNTING BRACKET			
0	ORIGINAL RELEASE	5.16.64		WSB			MATERIAL					
SYM	DESCRIPTION	DATE	CH. NO.	DRAFTS	CHECKER	ENG. APP.						
UNLESS OTHERWISE SPECIFIED DIMENSIONS ARE IN INCHES AND INCLUDE CHEMICALLY APPLIED OR PLATED FINISHES		SCALE					TYPE & TEMPER		HEAT TREAT. SPEC.	DRAWN	CHECKED	FINAL APPROVAL
DECIMALS .X ± .05 .XX ± .01 .XXX ± .005	TOLERANCES	FRACTIONS ± 1/64 ANGLES ± 0° 30'	CODE									
							FINISH & SPEC. NO.		ELEC. DES. APP.	MECH. DES. APP.	LD-1228 0	