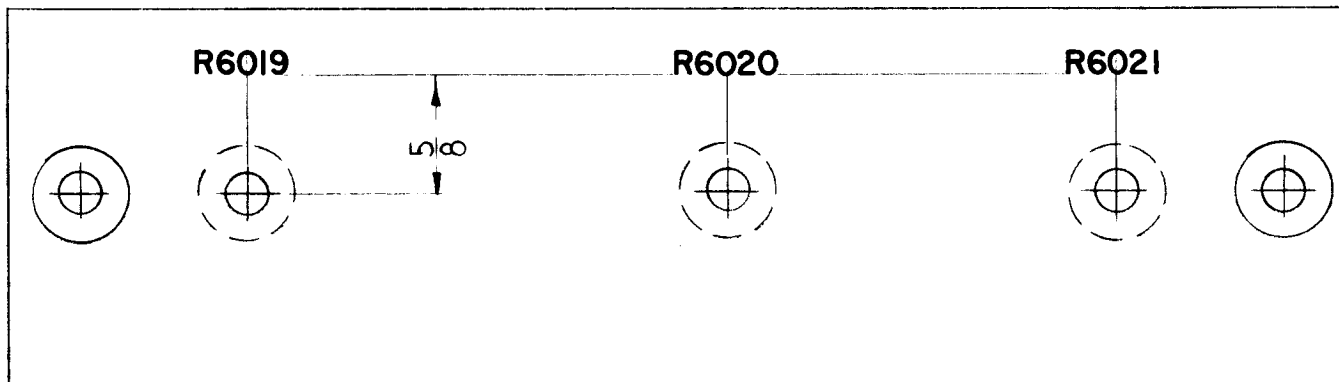


THE CONTENTS OF THIS DRAWING ARE THE EXCLUSIVE PROPERTY OF THE TECHNICAL MATERIEL CORP. ITS UNAUTHORIZED USE FOR REPRODUCTION IN WHOLE OR IN PART IS STRICTLY FORBIDDEN.

REQ. PER UNIT	USED ON			LD-1222	0
	MODEL	ASS'Y. NO.	DATE		
1	GPT-200K	AP-109	4-25-63		



MARKING PROCESS ~ AS PER TMC SPEC. S727
 LETTERING ~ 1/8 HIGH WHITE GOTHIC AS SHOWN UNLESS OTHERWISE SPECIFIED.

REF: TMC DWG. PX-726

							REQ. ITEM	PART NO.	F. BUDETTI	DESCRIPTION	SYMBOL	
							STOCK SIZE		THE TECHNICAL MATERIEL CORP. MAMARONECK, NEW YORK			
0	ORIGINAL RELEASE	5.16.64		ASB			LETTERING BOARD, RESISTOR CLIP MTG.					
SYM	DESCRIPTION	DATE	CH. NO.	DRAFTS	CHECKER	ENG. APP.	MATERIAL					
UNLESS OTHERWISE SPECIFIED DIMENSIONS ARE IN INCHES AND INCLUDE CHEMICALLY APPLIED OR PLATED FINISHES		SCALE					TYPE & TEMPER		HEAT TREAT. SPEC.	DRAWN	CHECKED	FINAL APPROVAL
DECIMALS .X ± .05 .XX ± .01 .XXX ± .005	TOLERANCES	FRACTIONS ± 1/64 ANGLES ± 0° 30'	CODE						SRG.	aa	ASB	
							FINISH & SPEC. NO.		ELEC. DES. APP.	MECH. DES. APP.	LD-1222	0