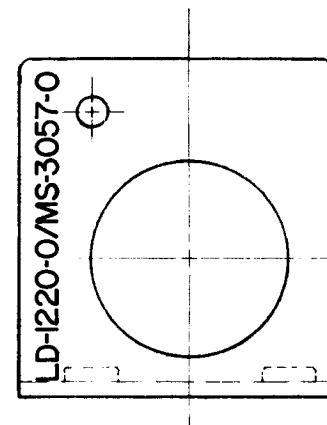
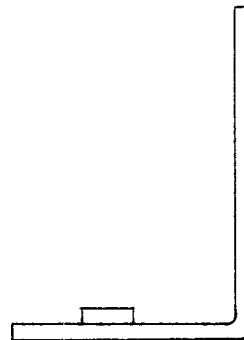
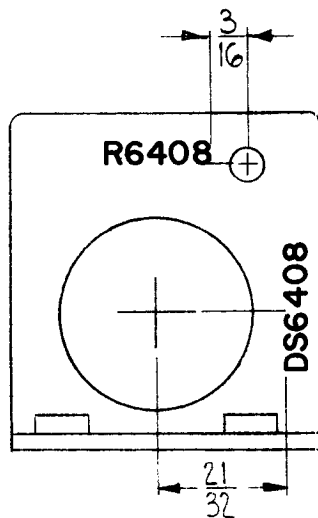


THE CONTENTS OF THIS DRAWING ARE THE EXCLUSIVE PROPERTY OF THE TECHNICAL MATERIEL CORP. ITS UNAUTHORIZED USE FOR REPRODUCTION IN WHOLE OR IN PART IS STRICTLY FORBIDDEN.

REQ. PER UNIT	USED ON			LD-1220	O
	MODEL	ASS'Y. NO.	DATE		
	GPT-200K	AP-110	4-24-63		



MARKING PROCESS: AS PER TMC SPECIFICATION S-727.

LETTERING: 1/8 HIGH BLACK GOTHIC, LOCATED AS SHOWN.

							REQ. ITEM	PART NO.	F. BUDETTI	DESCRIPTION	SYMBOL		
									THE TECHNICAL MATERIEL CORP. MAMARONECK, NEW YORK				
								STOCK SIZE	MARKING, BRKT, MTG INCANDESCENT LAMP				
									MARKING PROCESS: AS PER TMC SPEC. S-727				
								MATERIAL					
									W. A. FRANCO	<i>W.A.F.</i>	<i>RDR</i>		
								TYPE & TEMPER	HEAT TREAT. SPEC.	DRAWN	CHECKED	FINAL APPROVAL	
										<i>W.A.F.</i>	<i>S.D.</i>	LD-1220	O
								FINISH & SPEC. NO.	ELEC. DES. APP.	MECH. DES. APP.			