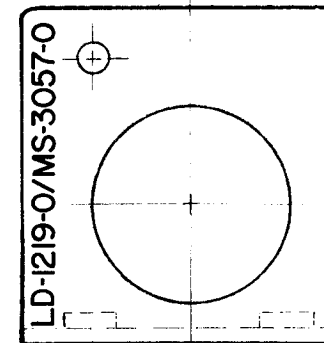
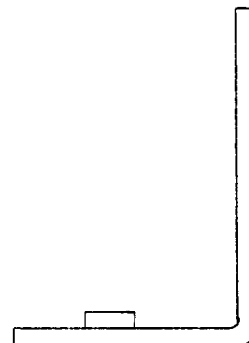
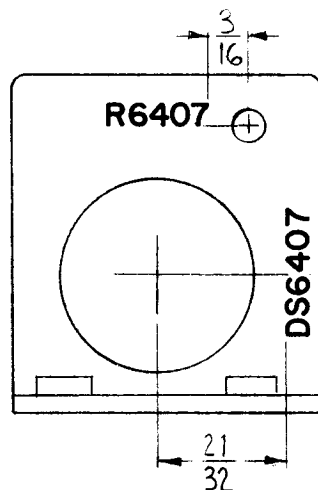


THE CONTENTS OF THIS DRAWING ARE THE EXCLUSIVE PROPERTY OF THE TECHNICAL MATERIEL CORP. ITS UNAUTHORIZED USE FOR REPRODUCTION IN WHOLE OR IN PART IS STRICTLY FORBIDDEN.

REQ. PER UNIT	USED ON			LD-1219	O
	MODEL	ASS'Y. NO.	DATE		
1	GPT-200K	AP-110	4-24-63		



MARKING PROCESS: AS PER TMC SPECIFICATION S-727.

LETTERING: 1/8 HIGH BLACK GOTHIC, LOCATED AS SHOWN.

							REQ. ITEM	PART NO.	F. BUDETTI	DESCRIPTION	SYMBOL
							STOCK SIZE		THE TECHNICAL MATERIEL CORP. MAMARONECK, NEW YORK		
O	ORIGINAL RELEASE FOR PRODUCTION	3-264	AM				MATERIAL		MARKING, BRKT, MTG. INCANDESCENT LAMP		
SYM	DESCRIPTION	DATE	CH. NO.	DRAFTS	CHECKER	ENG. APP.			MARKING PROCESS: AS PER TMC SPEC. S727		
UNLESS OTHERWISE SPECIFIED DIMENSIONS ARE IN INCHES AND INCLUDE CHEMICALLY APPLIED OR PLATED FINISHES		SCALE		1:1					W.A. FRANCO	QC/S	KOL
TOLERANCES		FRACTIONS		CODE		TYPE & TEMPER		HEAT TREAT. SPEC.	DRAWN	CHECKED	FINAL APPROVAL
.X ± .05		± 1/64		A					QA/B	DB	LD-1219
.XX ± .01		ANGLES									O
.XXX ± .005		± 0° 30'									
						FINISH & SPEC. NO.		ELEC. DES. APP.	MECH. DES. APP.		