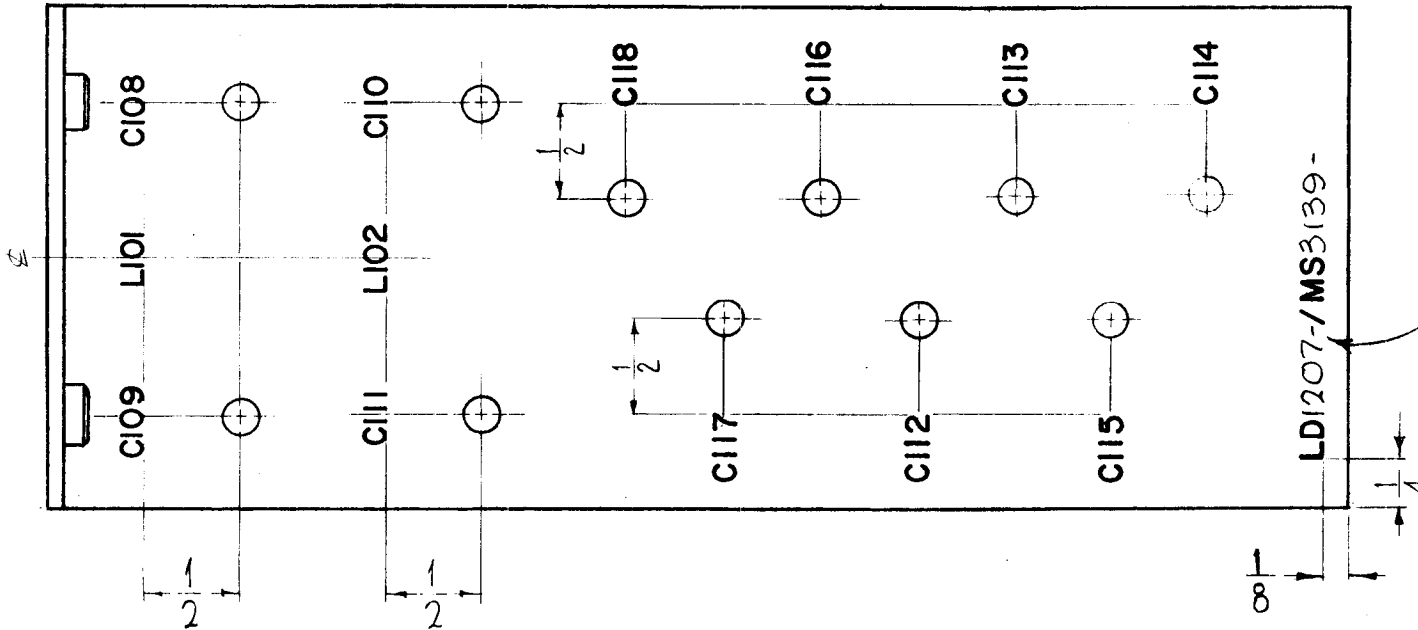


THE CONTENTS OF THIS DRAWING ARE THE EXCLUSIVE PROPERTY OF THE TECHNICAL MATERIEL CORP. ITS UNAUTHORIZED USE FOR REPRODUCTION IN WHOLE OR IN PART IS STRICTLY FORBIDDEN.

REQ. PER UNIT 1	USED ON		LD-1207	A
	MODEL TER-100K	ASS'Y. NO.		

MARKING PROCESS: AS PER TMC SPECIFICATION S-727.

LETTERING: 1/8 HIGH BLACK GOTHIC, LOCATED AS SHOWN.



REF MS3139

							REQ. ITEM	PART NO.	F. BUDETTI	DESCRIPTION	SYMBOL	
A	MARKING PROCESS S REF. ADDED		11/2/65	15044	ZVX	OCB	MRA	THE TECHNICAL MATERIEL CORP. MAMARONECK, NEW YORK				
Ø	ORIGINAL RELEASE FOR PRODUCTION		69-65	AA	JC			MARKING, CAPACITOR MFG BRACKET				
X3	LETTERING RELOCATED		10-21-63					MARKING METHOD: AS PER TMC SPEC. S-727				
SYM	DESCRIPTION	DATE	CH. NO.	DRAFTS	CHECKER	ENG. APP.	MATERIAL					
UNLESS OTHERWISE SPECIFIED DIMENSIONS ARE IN INCHES AND INCLUDE CHEMICALLY APPLIED OR PLATED FINISHES		SCALE					TYPE & TEMPER		HEAT TREAT. SPEC.	DRAWN	CHECKED	FINAL APPROVAL
DECIMALS .X ± .05 .XX ± .01 .XXX ± .005	TOLERANCES	FRACTIONS ± 1/64 ANGLES ± 0° 30'	CODE	FINISH & SPEC. NO.								
								ELEC. DES. APP.	MECH. DES. APP.	LD-1207	A	