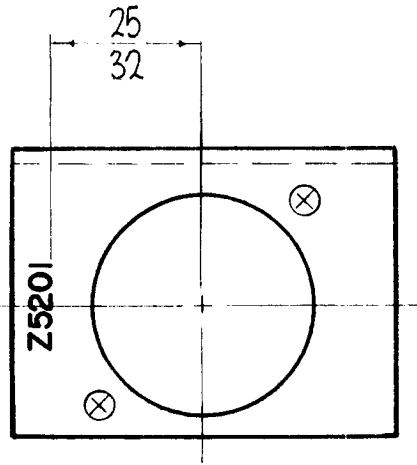
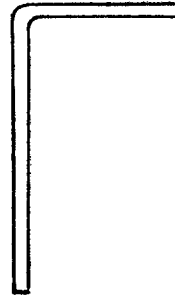


THE CONTENTS OF THIS DRAWING ARE THE EXCLUSIVE PROPERTY OF THE TECHNICAL MATERIEL CORP. ITS UNAUTHORIZED USE FOR REPRODUCTION IN WHOLE OR IN PART IS STRICTLY FORBIDDEN.

REQ. PER UNIT 1	USED ON		LD-1205
	MODEL GPT-200K	ASS'Y. NO. AM-118	



MARK TMC NO. LD1205- /MS3217- WITH LATEST REVISION LETTERS ON THIS SURFACE



MARKING PROCESS: AS PER TMC SPECIFICATION S-727.

LETTERING: 1/8 HIGH BLACK GOTHIC, LOCATED AS SHOWN.

REF - TMC DWG NO. MS-3217

							REQ. ITEM	PART NO.	F. BUDETTI DESCRIPTION		SYMBOL	
							STOCK SIZE		THE TECHNICAL MATERIEL CORP. MAMARONECK. NEW YORK			
							MATERIAL		LETTERING, BRACKET METERING CIRCUIT MOUNTING			
SYM	DESCRIPTION	DATE	CH. NO.	DRAFTS	CHECKER	ENG. APP.	SCALE 1" = 1"		John C. Biele	aa	Ric	
UNLESS OTHERWISE SPECIFIED DIMENSIONS ARE IN INCHES AND INCLUDE CHEMICALLY APPLIED OR PLATED FINISHES							TYPE & TEMPER	HEAT TREAT. SPEC.	DRAWN	CHECKED	FINAL APPROVAL	
DECIMALS .X ± .05 .XX ± .01 .XXX ± .005	TOLERANCES	FRACTIONS ± 1/64 ANGLES ± 0° 30'	CODE A				FINISH & SPEC. NO.		0203	11/16/64	LD-1205	
							ELEC. DES. APP.	MECH. DES. APP.				