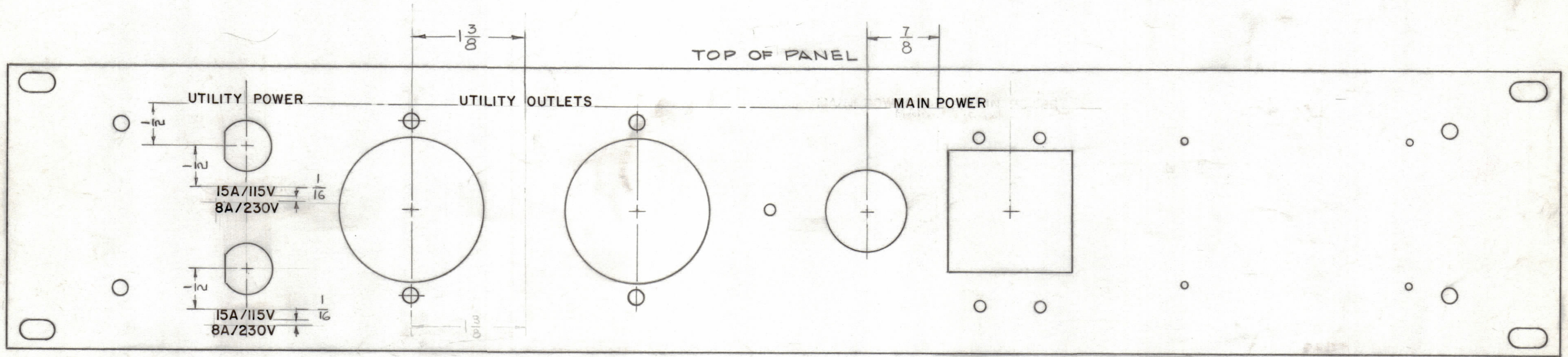


REVISIONS					
ZONE	SYM	DESCRIPTION	DATE	E.M.N. NO.	APPD



HEIGHT OF LETTERS	DEPTH OF STROKE	WIDTH OF STROKE
1/8	.010	.020

ENGRAVING TO BE GOTHIC WHITE FILLED
 SIZE SHOWN ON CHART.
 LETTERING GROUP CENTERED ON HOLES OR
 AS SHOWN.

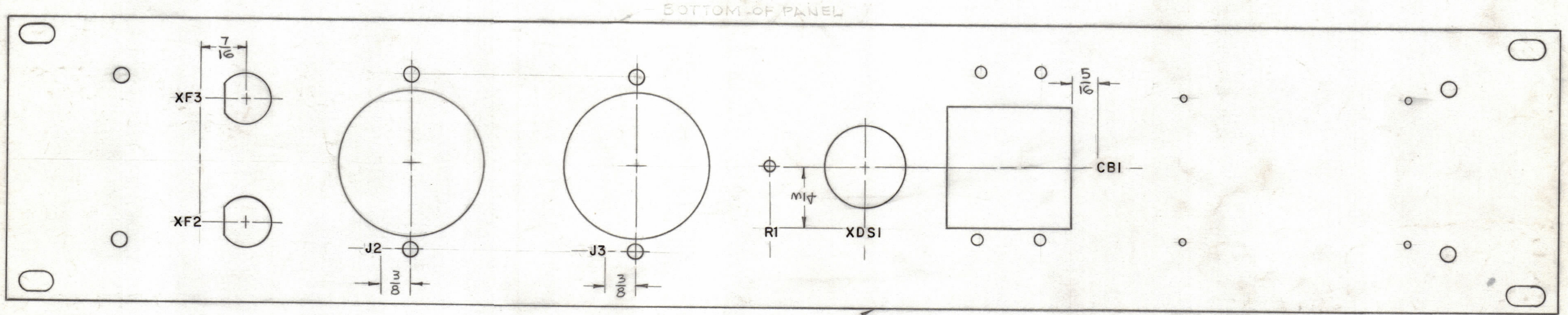
REF: MS-3091

REQ'D.	ITEM	PART NUMBER	DESCRIPTION	SYMBOL
STRUMER LIST OF MATERIAL				
MATERIAL		THE TECHNICAL MATERIEL CORP. MAMARONECK, NEW YORK		
FINISH		TITLE ENGRAVING, FRONT PANEL (FRONT VIEW)		
UNLESS OTHERWISE SPECIFIED DIMENSIONS ARE IN INCHES AND INCLUDE CHEMICALLY APPLIED OR PLATED FINISHES		DRAWN	DATE	FINAL APPROVAL
DECIMALS .X ± .05 .XX ± .01 .XXX ± .005		CHECKED	DATE	DATE
FRACTIONS ± 1/64 ANGLES ± 0° 30'		ELECT. DES.	DATE	DATE
TOLERANCES		MECH. DES.	DATE	DATE
NOTES		LD-1185		SHEET 1 OF 2
THE CONTENTS OF THIS DRAWING ARE THE EXCLUSIVE PROPERTY OF THE TECHNICAL MATERIEL CORP. ITS UNAUTHORIZED USE OR REPRODUCTION IN WHOLE OR IN PART IS STRICTLY FORBIDDEN.		REV. LTR.		

NOTES

LD-1185

REVISIONS					
ZONE	SYM	DESCRIPTION	DATE	E.M.N. NO.	APPD



TOP OF PANEL
 LOOKING FROM REAR OF PANEL
 (IN REF TO FRONT PANEL)
 SHEET 1

MARKING PROCESS: AS PER TMC SPECIFICATION S-727
 LETTERING: 1/8 HIGH BLACK, GOTHIC
 LOCATED AS SHOWN.

REF: MS-3091

REQ'D.	ITEM	PART NUMBER	DESCRIPTION	SYMBOL
STRUMER LIST OF MATERIAL				
MATERIAL		THE TECHNICAL MATERIEL CORP. MAMARONECK, NEW YORK		
FINISH		TITLE LETTERING, REAR OF FRONT PANEL		
UNLESS OTHERWISE SPECIFIED DIMENSIONS ARE IN INCHES AND INCLUDE CHEMICALLY APPLIED OR PLATED FINISHES		DRAWN	DATE	FINAL APPROVAL
DECIMALS .X ± .05		FILE	2-11-63	BP
FRACTIONS ± 1/64		CHECKED	DATE	
.XX ± .01		JMA	3-13-63	
ANGLES ± 0° 30'		DATE	3-7-64	LD-1185
.XXX ± .005		MECH. DES.	DATE	
			3-13-63	SHEET 2 OF 2
				REV. LTR.

QTY./UNIT	MODEL USED ON	ASS'Y. NO.
1	DCP-2	
SCALE	CODE	
1/1		

NOTES

THE CONTENTS OF THIS DRAWING ARE THE EXCLUSIVE PROPERTY OF THE TECHNICAL MATERIEL CORP. ITS UNAUTHORIZED USE OR REPRODUCTION IN WHOLE OR IN PART IS STRICTLY FORBIDDEN.

LD-1185