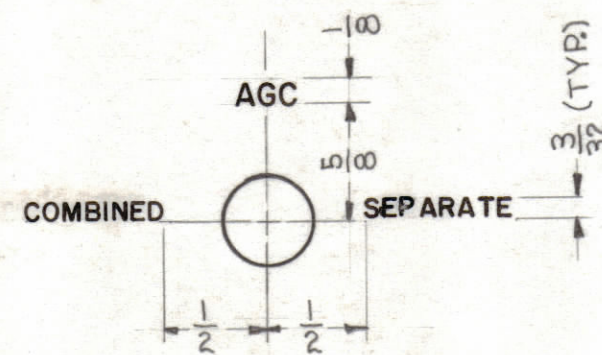
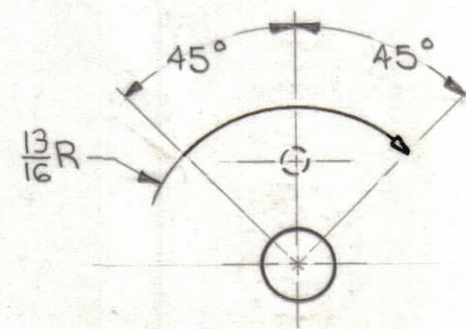
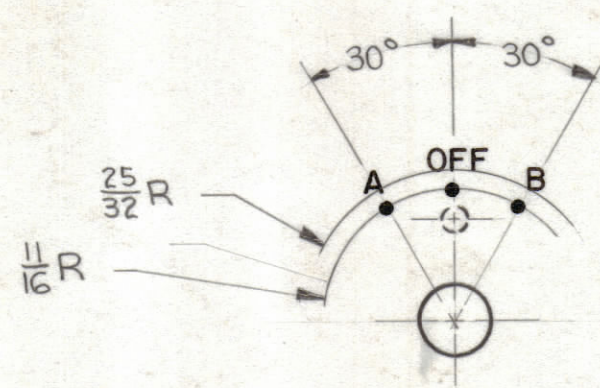
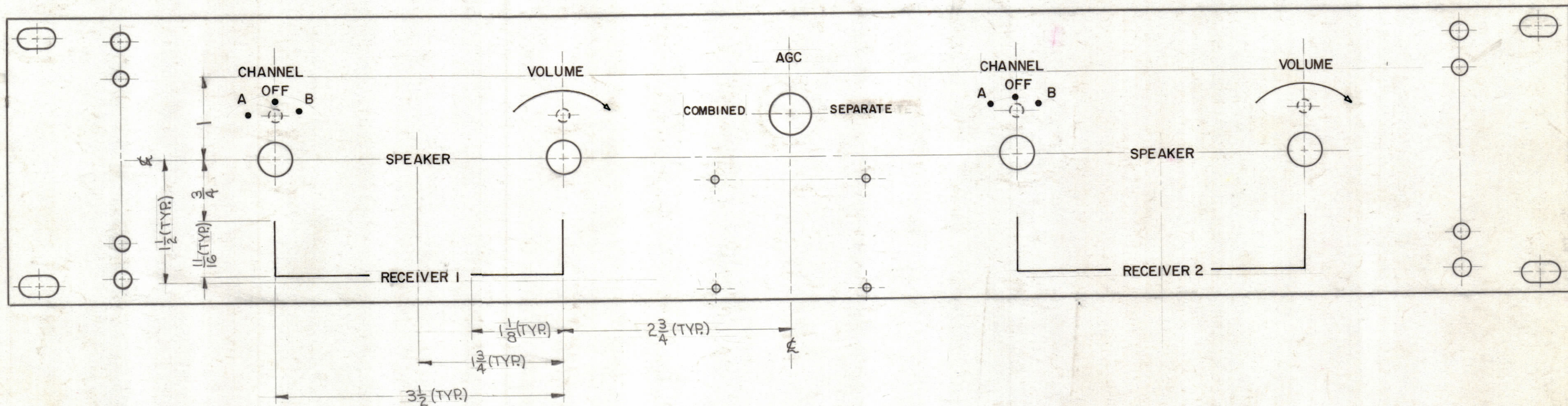


NOTICE TO PERSONS RECEIVING THIS DRAWING

THE TECHNICAL MATERIEL CORPORATION claims proprietary right in the material disclosed hereon. This drawing is issued in confidence for engineering information only and may not be reproduced or used to manufacture anything shown hereon without permission from THE TECHNICAL MATERIEL CORPORATION to the user. This drawing is loaned for mutual assistance and is subject to recall at any time.

Property of:
THE TECHNICAL MATERIEL CORPORATION
MAMARONECK, NEW YORK

REVISIONS				
ZONE	SYM	DESCRIPTION	DATE	E.M.N. NO.
~	A	ADDED SHEET 2 OF 2	7-26-63	9660



LETTER HEIGHT	DEPTH OF STROKE	WIDTH OF STROKE
1/8	.010	.020
3/32	.010	.015
DOTS	.010	1/16 DIA.
ARROWS	.010	.020
LINES	.010	.020

- UNLESS OTHERWISE SPECIFIED:
- 1- ALL LETTERING TO BE 1/8 INCH HIGH GOTHIC, WHITE FILLED.
 - 2- ALL DOTS AND LINES TO BE WHITE FILLED.
 - 3- ALL 3/32 HIGH LETTERING TO BE GOTHIC, WHITE FILLED
 - 4- ALL ARROWHEADS TO BE WHITE OUTLINE FILL

NOTES

1	HSP-2	
Q'TY./UNIT	MODEL USED ON	ASS'Y. NO.
SCALE	CODE	
DO NOT SCALE		
THE CONTENTS OF THIS DRAWING ARE THE EXCLUSIVE PROPERTY OF THE TECHNICAL MATERIEL CORP. ITS UNAUTHORIZED USE OR REPRODUCTION IN WHOLE OR IN PART IS STRICTLY FORBIDDEN.		

REF. TMC DWG. MS-2951

REQ'D.	ITEM	PART NUMBER	DESCRIPTION	SYMBOL
LIST OF MATERIAL				
MATERIAL		THE TECHNICAL MATERIEL CORP. MAMARONECK, NEW YORK		
FINISH		ENGRAVING, FRONT PANEL		
UNLESS OTHERWISE SPECIFIED DIMENSIONS ARE IN INCHES AND INCLUDE CHEMICALLY APPLIED OR PLATED FINISHES		DRAWN <i>R. Jurek</i> DATE <i>6-22-62</i> CHECKED _____ DATE _____ ELECT. DES. <i>R. KOHN</i> DATE <i>3 JULY 62</i> MECH. DES. _____ DATE _____	FINAL APPROVAL <i>BP</i> DATE _____ TITLE LD-1109 SHEET <i>1 OF 2</i>	DATE _____ REV. LTR. A

LD-1109 A