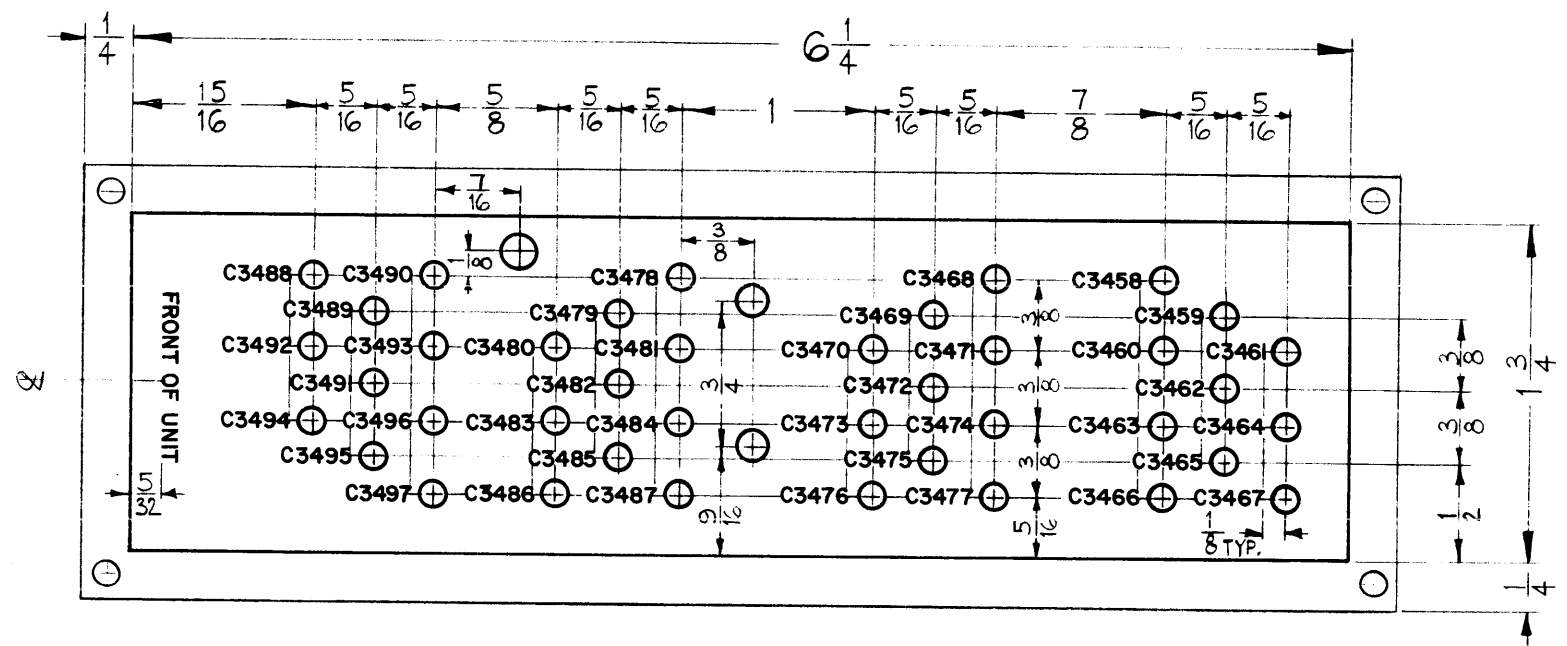


LD-1106 A

REVISIONS

SYM	DESCRIPTION	DATE	E.M.N. NO.	DRAFT	CHKD	APPD
A	ADDED CIRCLE NOTES, LETTERING WAS CENTERED ON HOLES	3-18-63	8545	R	W/S	



NOTICE TO PERSONS RECEIVING THIS DRAWING

THE TECHNICAL MATERIEL CORPORATION claims proprietary right in the material disclosed hereon. This drawing is issued in confidence for engineering information only and may not be reproduced or used to manufacture anything shown hereon without permission from THE TECHNICAL MATERIEL CORPORATION to the user. This drawing is loaned for mutual assistance and is subject to recall at any time.

Property of:
THE TECHNICAL MATERIEL CORPORATION
MAMARONECK, NEW YORK

- SMALL CIRCLES SHALL BE 1/8 DIA. (40 REQ)
- LARGE CIRCLES SHALL BE 3/16 DIA. (3 REQ)

~ UNLESS OTHERWISE SPECIFIED ~

1/16 HIGH BLACK LUSTERLESS, GOTHIC LETTERING.
MARKING PROCESS: AS PER TMC SPECIFICATION S-727.
ALL LETTERING TO BE CENTERED ON CIRCLE LETTERING
ALL LINES TO BE SAME WIDTH AS LETTERING.

NOTES

1	HFS-1	3400
QTY./UNIT	MODEL USED ON	ASS'Y. NO.
SCALE	CODE	

THE CONTENTS OF THIS DRAWING ARE THE EXCLUSIVE PROPERTY OF THE TECHNICAL MATERIEL CORP. ITS UNAUTHORIZED USE OR REPRODUCTION IN WHOLE OR IN PART IS STRICTLY FORBIDDEN.

REF: MS-2994 (2).

REQ'D.	ITEM	PART NUMBER	DESCRIPTION	SYMBOL
J. STRUMMER LIST OF MATERIAL				
MATERIAL			THE TECHNICAL MATERIEL CORP. MAMARONECK, NEW YORK	
FINISH			TITLE LETTERING, PLATE, CAPACITOR DESIGNATION (3400 DECK)	
UNLESS OTHERWISE SPECIFIED DIMENSIONS ARE IN INCHES AND INCLUDE CHEMICALLY APPLIED OR PLATED FINISHES			DRAWN <i>J. Strummer</i>	DATE 6-1-62
DECIMALS .X ± .05 .XX ± .01 .XXX ± .005			CHECKED <i>J. Strummer</i>	DATE 8-17-62
FRACTIONS ± 1/64 ANGLES ± 0° 30'			ELECT. DES. <i>J. Strummer</i>	DATE 6-6-62
TOLERANCES			MECH. DES. <i>J. Strummer</i>	DATE 6-6-62
			FINAL APPROVAL <i>BP</i>	DATE
			LD-1106	A
			SHEET	REV. LTR.