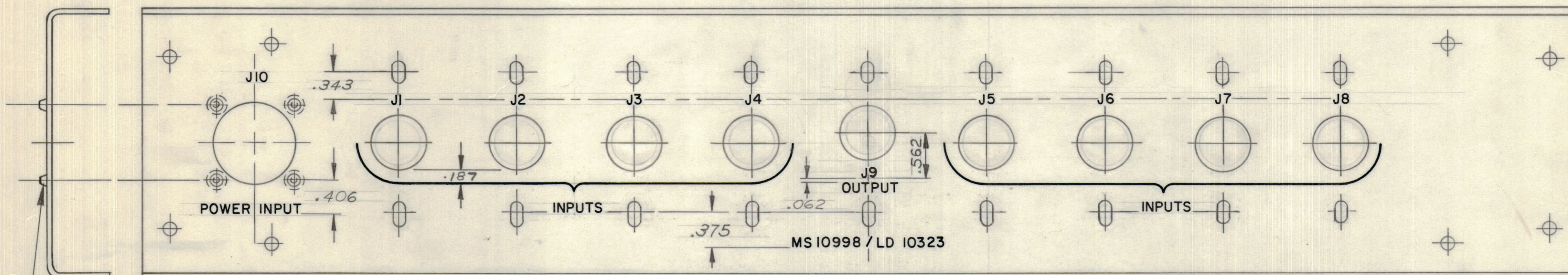


IF IT IS FOUND DESIRABLE TO CHANGE ANY TOLERANCE OR OTHER DETAIL SPECIFIED ON THIS DRAWING NOTIFY THE PURCHASER PROMPTLY.		DIMENSIONS IN INCHES UNLESS OTHERWISE SPECIFIED					
MAXIMUM ALLOWABLE TOLERANCES HAVE BEEN DETERMINED AND DEVIATIONS WILL BE CAUSE FOR REJECTION. REMOVE ALL BURRS AND SHARP EDGES.							
ISSUE	ITEM	CHANGED FROM	DATE	CN. NO.	DRAFTS	CHECKER	ENG. APP.
Ø		REL TO PROD	JULY 4/69			AP	
A		REV PER CEMN	4 AUG 69	517	PS.		

REQ.	ITEM	PART NO.	DESCRIPTION	SYMBOL
4	1	NT 10003-4	NUT FAST'NR, SELF LOCK, SELF CLINCH	



LD 10323 A

**NOTE:-**  
 MARKING PROCESS:  
 AS PER TMC SPEC 727  
 LETTERING 1/8 BLACK GOTHIC LOCATED AS SHOWN.

1

REF. MS 10998

TOLERANCES		SCALE: 1:1
ALL OTHERS	DEC. DIM. ± .05 FRAC. DIM. ± 1/64 ANGULAR DIM. ± 0° 30'	DRILL, PUNCH, COMMERCIAL STOCK SIZES AND MANUFACTURERS TOLERANCES ARE NOT INCLUDED.

MAC-1	074/69	APR 17/69
MODEL	PROJECT NO.	DATE

STOCK SIZE		TMC (Canada) LIMITED OTTAWA ONTARIO	
MATERIAL		LETTERING REAR PANEL	
TYPE & TEMPER		AP	
HEAT TREAT. SPEC.		CHECKED	FINAL APPROVAL
FINISH & SPEC. NO.		LD 10323 A	