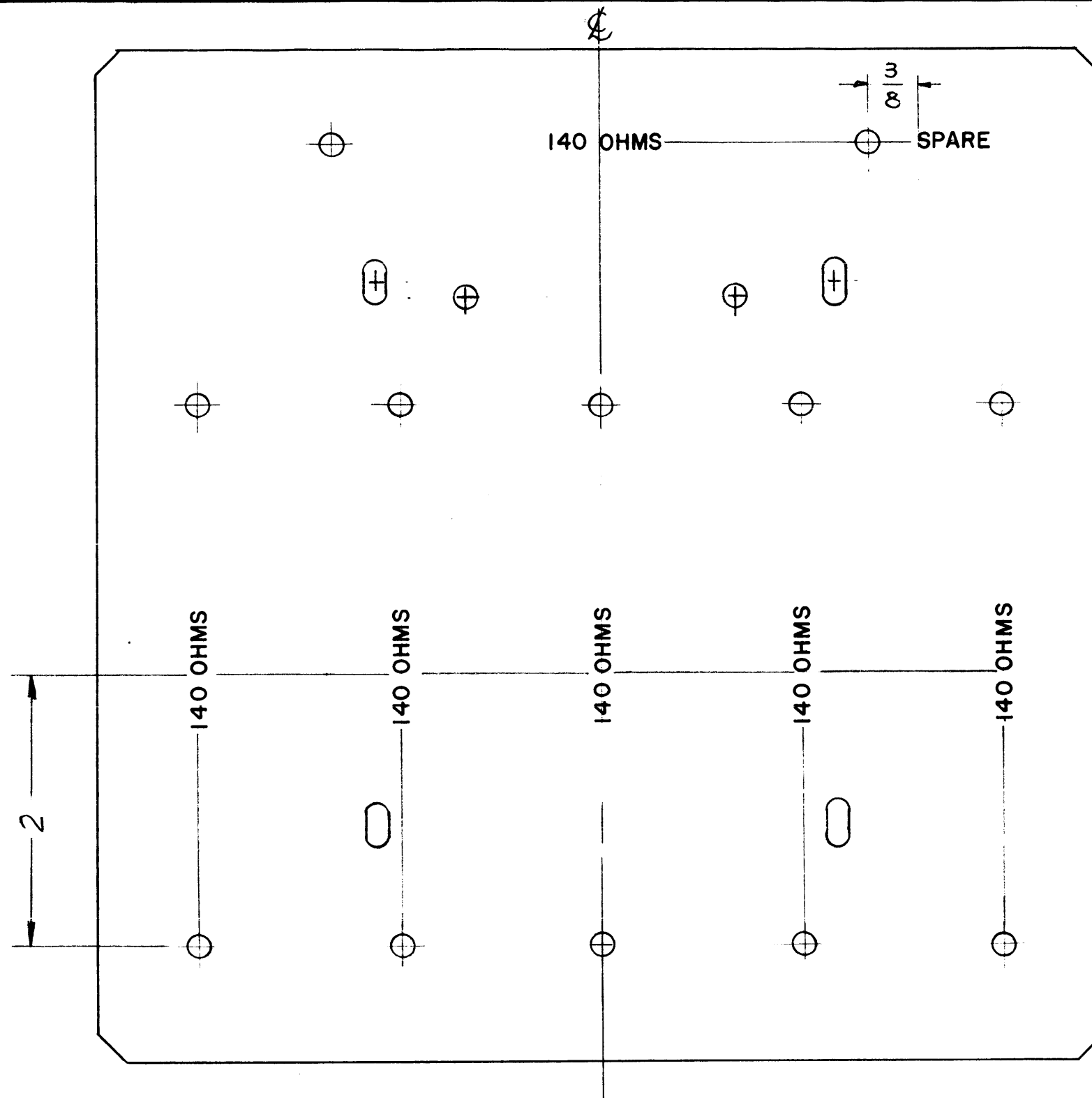


LD-1003



NOTE:
ALL LETTERING TO BE $\frac{1}{8}$ HIGH
BLACK GOTHIC.

NOTICE TO PERSONS RECEIVING THIS DRAWING

THE TECHNICAL MATERIEL CORPORATION claims proprietary right in the material disclosed hereon. This drawing is issued in confidence for engineering information only and may not be reproduced or used to manufacture anything shown hereon without permission from THE TECHNICAL MATERIEL CORPORATION to the user. This drawing is loaned for mutual assistance and is subject to recall at any time.

Property of:
THE TECHNICAL MATERIEL CORPORATION
MAMARONECK, NEW YORK

REF: MS-1289(4)

SYM	DESCRIPTION	DATE	CH. NO.	DRAFTS	CHECKER	ENG. APP.
	UNLESS OTHERWISE SPECIFIED: DIMENSIONS ARE IN INCHES TOLERANCES ON FRACTIONS $\pm 1/64$ DECIMALS $\pm .005$ ANGLES $\pm 1/20^\circ$					
	SCALE: MAXIMUM ALLOWABLE TOLERANCES HAVE BEEN DETERMINED AND ANY DEVIATIONS WILL BE CAUSE FOR REJECTION. REMOVE ALL BURRS AND SHARP EDGES					

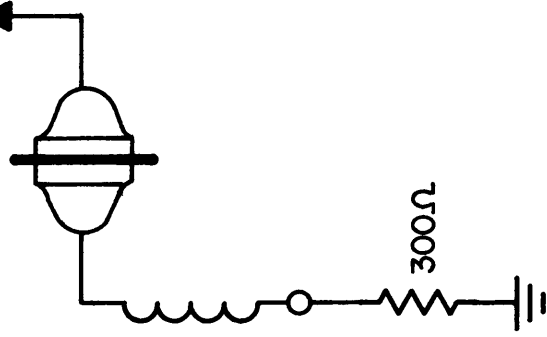
REQ. PER UNIT	MODEL	SECTION	ASS'Y. NO.	DATE
1	RTB-1			11-6-61
1	RTB			11-6-61

REQ.	ITEM	PART NO.	DESCRIPTION	SYMBOL
			THE TECHNICAL MATERIEL CORP. MAMARONECK, NEW YORK	
			LETTERING, MOUNTING PLATE	
			ab RHZZO	CFM
			DRAWN CHECKER	FINAL APPROVAL
			16	LD-1003
			FINISH & SPEC. NO.	ELEC. DES. APP. MECH. DES. APP.

THE TECHNICAL MATERIEL CORPORATION
MAMARONECK NEW YORK

ANTENNA TERMINATOR TER - 250 / 300 U

TO ANTENNA



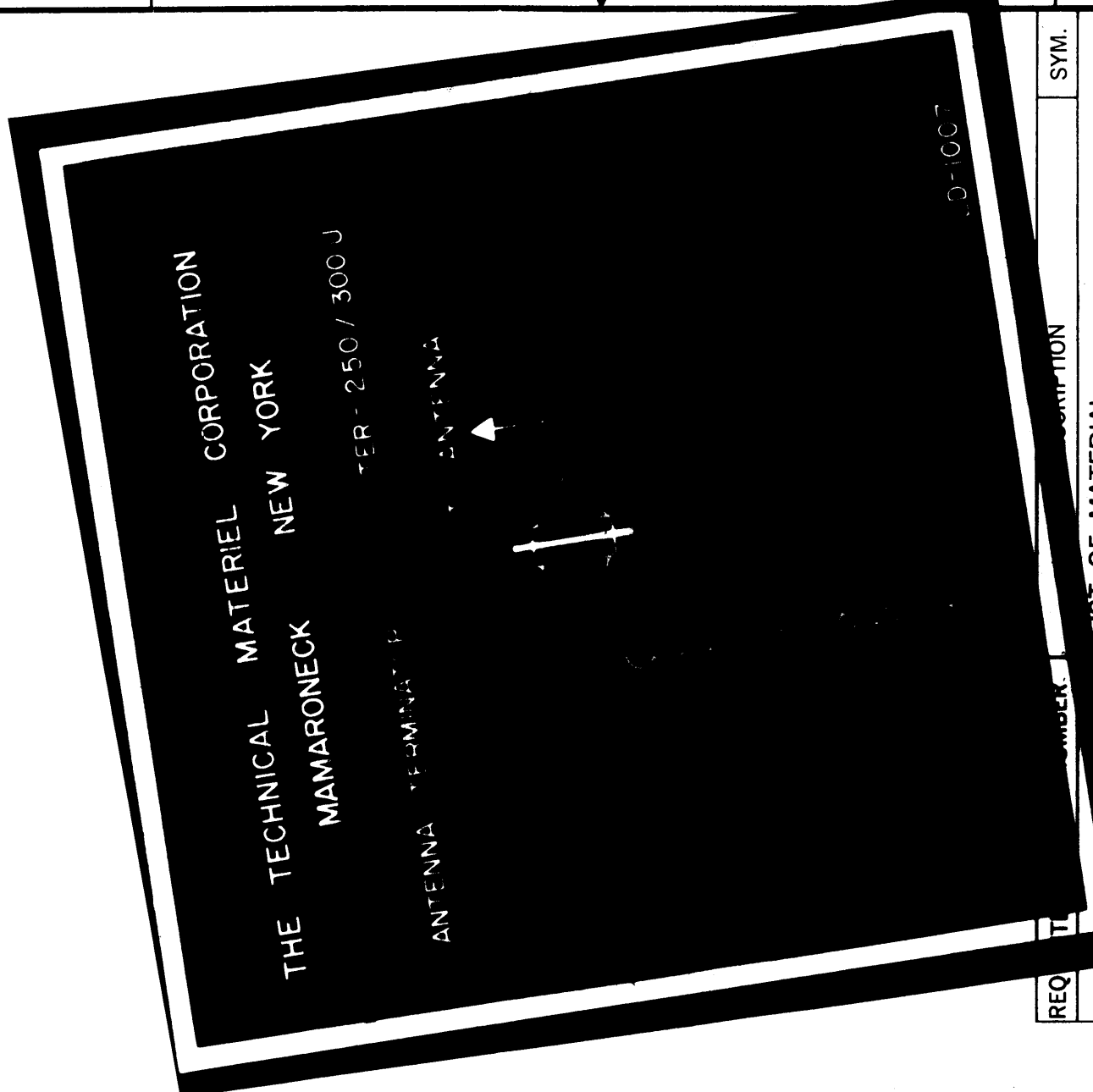
LD-1007

- NOTE;
1. ALL LETTERING AND ARTWORK TO BE BLACK ON ALUMINUM BACKGROUND WITH ADHESIVE BACKING.
 2. REPRODUCTION METHOD: AS PER TMC SPEC S1222

QTY / UNIT	TER-250/300U	ASS'Y NO.	A-2229
MODEL USED ON		APPLICATION	
CODE			

NOTICE TO PERSONS RECEIVING THIS DRAWING
THE TECHNICAL MATERIEL CORPORATION claims proprietary right in the material disclosed hereon. This drawing is issued in confidence for engineering information only and may not be reproduced or used to manufacture anything shown hereon without permission from THE TECHNICAL MATERIEL CORPORATION to the user. This drawing is loaned for mutual assistance and is subject to recall at any time.

ZONE	LTR	DESCRIPTION	DATE	E.M.N.NO	DRAFT	CHKD	APPD
	C	REDRAWN	7-1-70	9933	DE	WB	



REQ	IT	SYMBOL	DESCRIPTION	SYM.
FINAL				
MECH. DES.				
ELECT. DES.				
CHECKED	WB			
DRAWN	EVANGELIST			
DATE	7/1/70			
DATE				
DATE				
DATE				

LIST OF MATERIAL

THE TECHNICAL MATERIEL CORP.		SIZE	CODE IDENT. NO.	DWG NO.	ISSUE
MAMARONECK, NEW YORK		B	82679	LD-1007	C
DIAGRAM SCHEMATIC		SCALE	1:1	SHEET	OF
MODEL TER-250/300U					

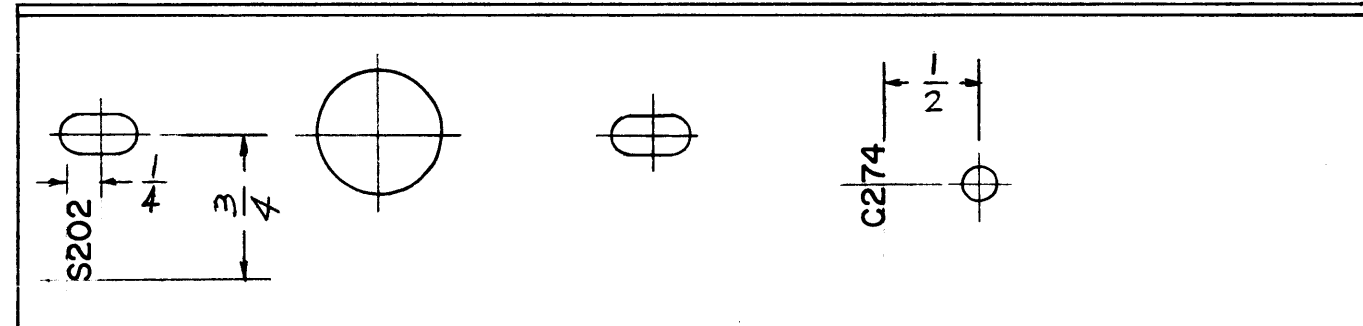
LD-1015

THE CONTENTS OF THIS DRAWING ARE THE EXCLUSIVE PROPERTY OF THE TECHNICAL MATERIEL CORP. ITS UNAUTHORIZED USE OR REPRODUCTION IN WHOLE OR IN PART IS STRICTLY FORBIDDEN.

NOTICE TO PERSONS RECEIVING THIS DRAWING

THE TECHNICAL MATERIEL CORPORATION claims proprietary right in the material disclosed hereon. This drawing is issued in confidence for engineering information only and may not be reproduced or used to manufacture anything shown hereon without permission from THE TECHNICAL MATERIEL CORPORATION to the user. This drawing is loaned for mutual assistance and is subject to recall at any time.

Property of:
THE TECHNICAL MATERIEL CORPORATION
MAMARONECK, NEW YORK



MARKING PROCESS; AS PER TMC SPEC S-727
LETTERING TO BE $\frac{1}{8}$ HIGH GOTHIC, BLACK.

REF. MS-1438 (2)

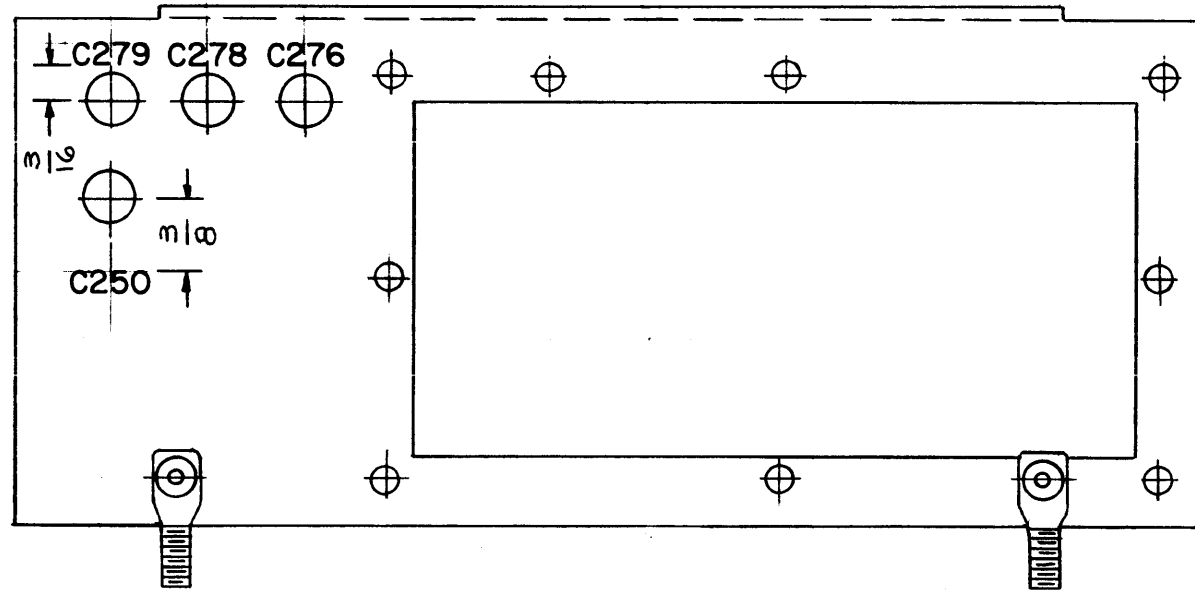
REQ.	ITEM	PART NO.	DESCRIPTION	SYMBOL
			THE TECHNICAL MATERIEL CORP. MAMARONECK, NEW YORK	
STOCK SIZE			LETTERING, BRACKET, FRONT,	
MATERIAL			SWITCH	
			ab	
			JK	
			PM	
			DRAWN	FINAL APPROVAL
			RK	LD-1015
			ELEC. DES. APP.	MECH. DES. APP.

SYM	DESCRIPTION	DATE	CH. NO.	DRAFTS	CHECKER	ENG. APP.
	UNLESS OTHERWISE SPECIFIED:					
	DIMENSIONS ARE IN INCHES					
	TOLERANCES ON					
	FRACTIONS $\pm 1/64$					
	DECIMALS $\pm .005$					
	ANGLES $\pm 1/2^\circ$					
	SCALE:					
	MAXIMUM ALLOWABLE TOLERANCES HAVE BEEN DETERMINED AND ANY DEVIATIONS WILL BE CAUSE FOR REJECTION.					
	REMOVE ALL BURRS AND SHARP EDGES					

REQ. PER UNIT	MODEL	SECTION	ASS'Y. NO.	DATE
1	RFC-1			11-30-61
1	RFD-1			11-30-61
1	REB-1			11-30-61
USED ON				

THE CONTENTS OF THIS DRAWING ARE THE EXCLUSIVE PROPERTY OF THE TECHNICAL MATERIEL CORP. ITS UNAUTHORIZED USE OR REPRODUCTION IN WHOLE OR IN PART IS STRICTLY FORBIDDEN.

LD-1016



NOTICE TO PERSONS RECEIVING THIS DRAWING

THE TECHNICAL MATERIEL CORPORATION claims proprietary right in the material disclosed hereon. This drawing is issued in confidence for engineering information only and may not be reproduced or used to manufacture anything shown hereon without permission from THE TECHNICAL MATERIEL CORPORATION to the user. This drawing is loaned for mutual assistance and is subject to recall at any time.

Property of:
THE TECHNICAL MATERIEL CORPORATION
MAMARONECK, NEW YORK

LETTERING TO BE $\frac{1}{8}$ HIGH GOTHIC, BLACK.

MARKING PROCESS: AS PER T.M.C SPECIFICATION S-727

REF. - MS-1694 (2)

REQ.	ITEM	PART NO.	DESCRIPTION	SYMBOL
			THE TECHNICAL MATERIEL CORP. MAMARONECK, NEW YORK	
STOCK SIZE				
MATERIAL			LETTERING, TUBE, CHASSIS, SHIELD BRACKET	
TYPE & TEMPER		HEAT TREAT. SPEC.	DRAWN	CHECKED
			AB	HSA
			FINAL APPROVAL	
			LD-1016	
FINISH & SPEC. NO.		ELEC. DES. APP.	MECH. DES. APP.	

SYM	DESCRIPTION	DATE	CH. NO.	DRAFTS	CHECKER	ENG. APP.
UNLESS OTHERWISE SPECIFIED:		SCALE:				
DIMENSIONS ARE IN INCHES		MAXIMUM ALLOWABLE TOLERANCES HAVE BEEN DETERMINED AND ANY DEVIATIONS WILL BE CAUSE FOR REJECTION.				
TOLERANCES ON		REMOVE ALL BURRS AND SHARP EDGES				
FRACTIONS $\pm 1/64$		DECIMALS $\pm .005$		ANGLES $\pm 1/2^\circ$		
1	RFC-1	12-1-61				
1	RFD-1	12-1-61				
1	RFB-1	12-1-61				
REQ. PER UNIT	MODEL	SECTION	ASS'Y. NO.	DATE	USED ON	

5

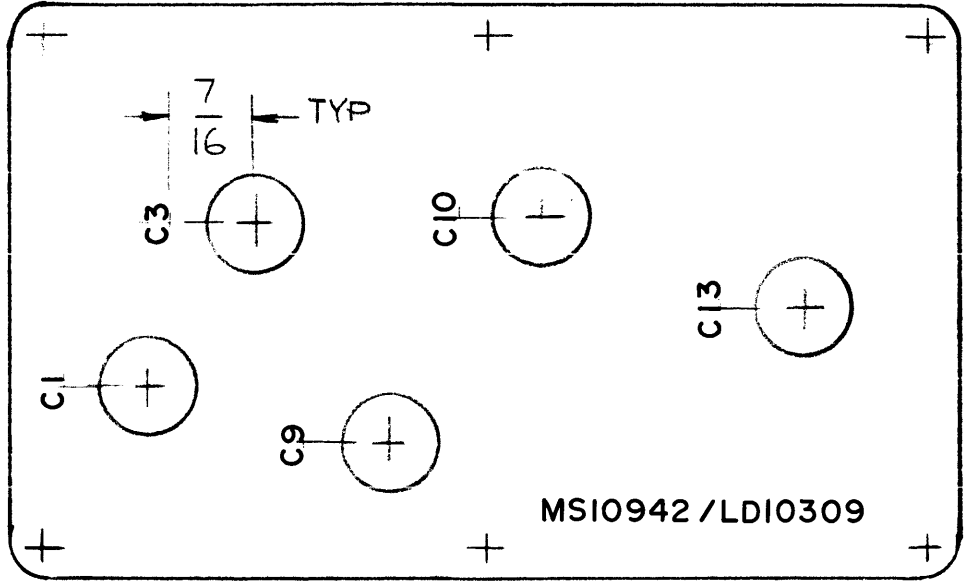
4

3

2

1

REVISIONS							
E.M.N. NO.	DRAFT	CHKD	ZONE	LTR	DESCRIPTION	DATE	APPROVED
21280	GDL			A	REDRAW WITH CHANGES	8-28-75	



MARKING PROCESS: AS PER TMC SPECIFICATION S727
 LETTERING: 1/8 HIGH BLACK GOTHIC, LOCATED AS SHOWN

REF: MS10942

REQ'D	ITEM	PART NUMBER	DESCRIPTION	SYM.
LIST OF MATERIAL				
			THE TECHNICAL MATERIEL CORP. MAMARONECK, NEW YORK	
			COVER FILTER LETTERING	
			SIZE	ISSUE
			B	A
			CODE IDENT. NO.	DWG NO.
			82679	LD 10309
			SCALE 1:1	SHEET OF

AMC B 50Ω	FX10034	UNLESS OTHERWISE SPECIFIED DIMENSIONS ARE IN INCHES AND INCLUDE CHEMICALLY APPLIED OR PLATED FINISHES
AMC B 75Ω	FX1001B-1	
QTY / UNIT	MODEL USED ON	ASS'Y NO.
APPLICATION		
	CODE	
<p>NOTICE TO PERSONS RECEIVING THIS DRAWING THE TECHNICAL MATERIEL CORPORATION claims proprietary right in the material disclosed hereon. This drawing is issued in confidence for engineering information only and may not be reproduced or used to manufacture anything shown hereon without permission from THE TECHNICAL MATERIEL CORPORATION to the user. This drawing is loaned for mutual assistance and is subject to recall at any time.</p>		
MATERIAL		FINISH

FINAL APPROVAL	DATE 8/28/75
MECH. DES.	DATE
ELECT. DES.	DATE
CHECKED	DATE
DRAWN GDL	DATE 8-28-75

D

D

C

C

B

B

A

A

5

4

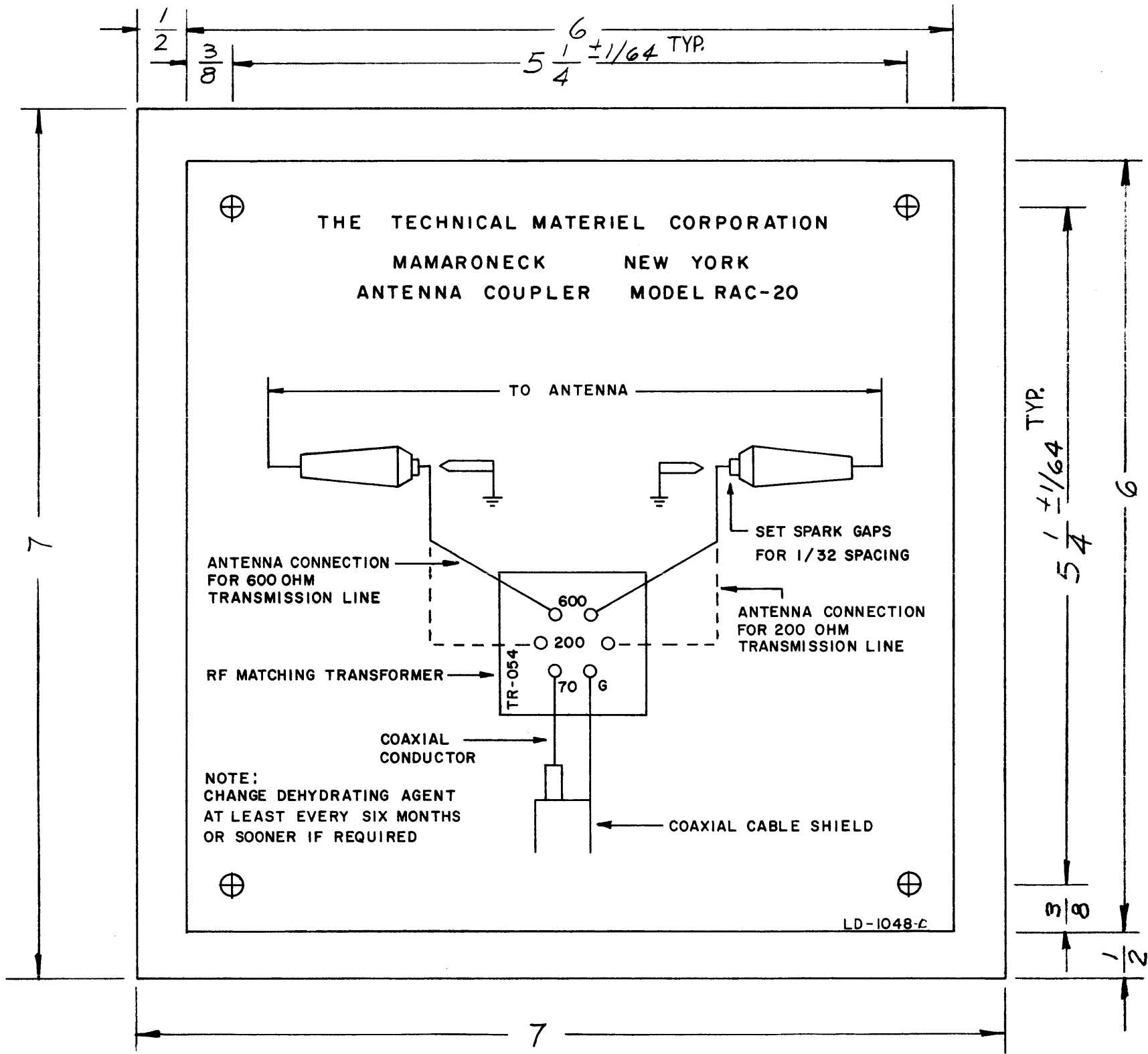
3

2

1

LD-1048 C

THE CONTENTS OF THIS DRAWING ARE THE EXCLUSIVE PROPERTY OF THE TECHNICAL MATERIEL CORP. ITS UNAUTHORIZED USE OR REPRODUCTION IN WHOLE OR IN PART IS STRICTLY FORBIDDEN.



7/64 DIA. 4 HOLES REQ'D.

NOTE:
 1- PRINTED DIRECTLY ON FACE OF PLASTIC.
 2- MATERIAL: POLISHED WHITE OPAQUE VINYL PLASTIC

OBSOLETE
 REPLACED BY LD-915
 10-4-62 *JS*

C	FINISH DELETED MATERIAL CLARIFIED	2-1-63	8168	<i>[Signature]</i>	<i>[Signature]</i>	<i>[Signature]</i>
SYM	DESCRIPTION	DATE	CH. NO.	DRAFTS	CHECKER	ENG. APP.
UNLESS OTHERWISE SPECIFIED:		SCALE:				
DIMENSIONS ARE IN INCHES		MAXIMUM ALLOWABLE TOLERANCES HAVE BEEN DETERMINED AND ANY DEVIATIONS WILL BE CAUSE FOR REJECTION.				
TOLERANCES ON FRACTIONS ± 1/64 DECIMALS ± .005 ANGLES ± 1/20		REMOVE ALL BURRS AND SHARP EDGES				
		1	RAC-20		1-8-62	
		REQ. PER UNIT	MODEL	SECTION	ASS'Y. NO.	DATE
		USED ON				

REQ.	ITEM	PART NO.	DESCRIPTION		SYMBOL
	.015		THE TECHNICAL MATERIEL CORP. MAMARONECK, NEW YORK		
	SEE NOTE #2		LETTERING, SCHEMATIC DIAGRAM		
			RAC-20		
			ab	RUIZZO	<i>[Signature]</i>
			TYPE & TEMPER	HEAT TREAT. SPEC.	DRAWN
					CHECKED
					FINAL APPROVAL
			CG		LD-1048 C
			FINISH & SPEC. NO.	ELEC. DES. APP.	MECH. DES. APP.

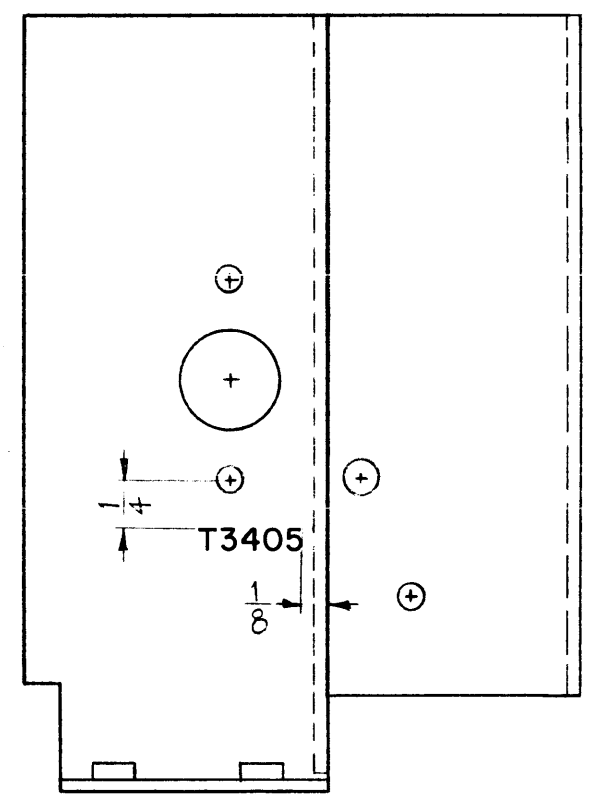
LD-1077

THE CONTENTS OF THIS DRAWING ARE THE EXCLUSIVE PROPERTY OF THE TECHNICAL MATERIEL CORP. ITS UNAUTHORIZED USE OR REPRODUCTION IN WHOLE OR IN PART IS STRICTLY FORBIDDEN.

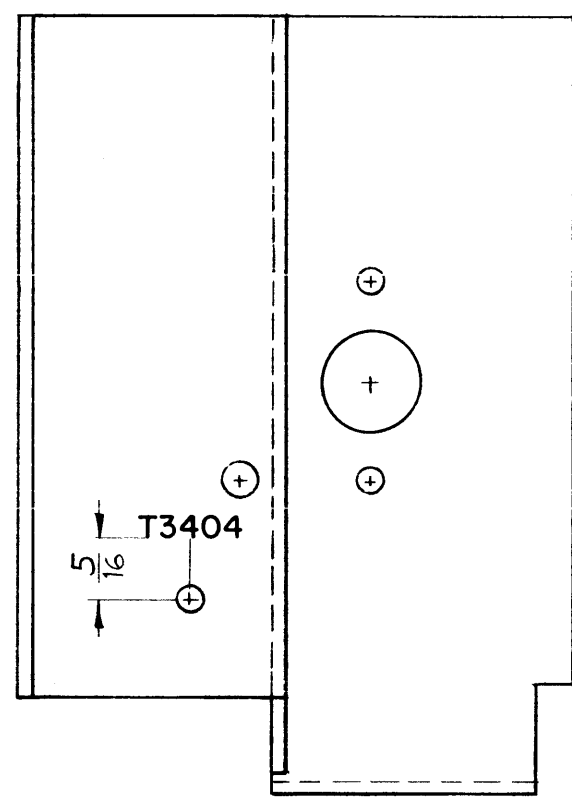
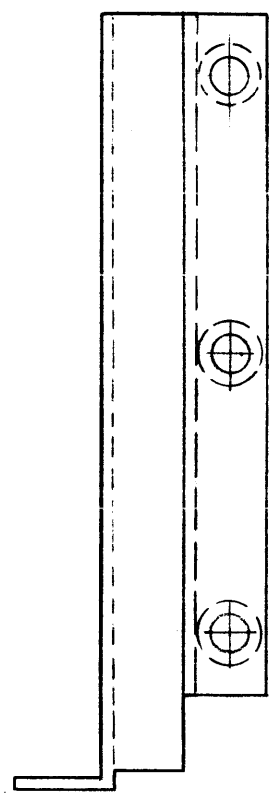
NOTICE TO PERSONS RECEIVING THIS DRAWING

THE TECHNICAL MATERIEL CORPORATION claims proprietary right in the material disclosed hereon. This drawing is issued in confidence for engineering information only and may not be reproduced or used to manufacture anything shown hereon without permission from THE TECHNICAL MATERIEL CORPORATION to the user. This drawing is loaned for mutual assistance and is subject to recall at any time.

Property of:
THE TECHNICAL MATERIEL CORPORATION
MAMARONECK, NEW YORK



FRONT VIEW



REAR VIEW

UNLESS OTHERWISE SPECIFIED -
1/8 HIGH BLACK LUSTERLESS, GOTHIC LETTERING.
MARKING PROCESS: AS PER TMC SPECIFICATION S-727
ALL LETTERING TO BE CENTERED ON HOLES.

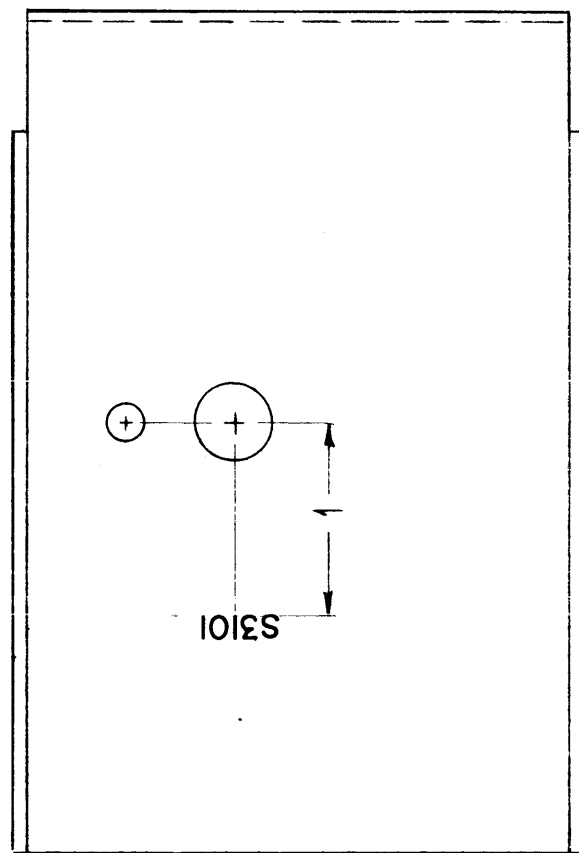
REF: MS-2919 (2)

A REVISED & UPDATED		1/3/69	19159	K.H.	J.D.	GP
SYM	DESCRIPTION	DATE	CH. NO.	DRAFTS	CHECKER	ENG. APP.
UNLESS OTHERWISE SPECIFIED: DIMENSIONS ARE IN INCHES TOLERANCES ON FRACTIONS ± 1/64 DECIMALS ± .005 ANGLES ± 1/2°		SCALE: MAXIMUM ALLOWABLE TOLERANCES HAVE BEEN DETERMINED AND ANY DEVIATIONS WILL BE CAUSE FOR REJECTION. REMOVE ALL BURRS AND SHARP EDGES				
1	HFS-1	3400				8-17-62
REQ. PER UNIT	MODEL	SECTION	ASS'Y. NO.	DATE		

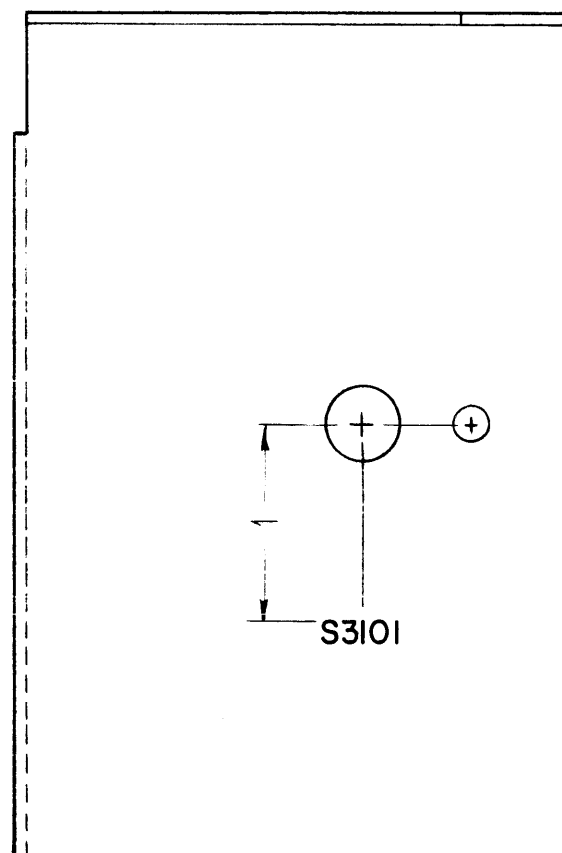
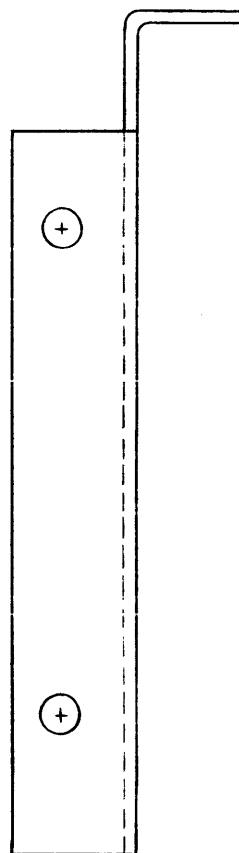
REQ.	ITEM	PART NO.	J. STRUMER	DESCRIPTION	SYMBOL
			THE TECHNICAL MATERIEL CORP. MAMARONECK, NEW YORK		
			LETTERING, SHIELD MTG. SWITCH		
			3400 DECK		
			G.D.L.	<i>Hile</i>	<i>BP</i>
			TYPE & TEMPER	HEAT TREAT. SPEC.	FINAL APPROVAL
			<i>JMA</i>	<i>JMA</i>	LD-1077
			FINISH & SPEC. NO.	LEC. DES. APP.	MECH. DES. APP.

LD-1085

THE CONTENTS OF THIS DRAWING ARE THE EXCLUSIVE PROPERTY OF THE TECHNICAL MATERIEL CORP. ITS UNAUTHORIZED USE OR REPRODUCTION IN WHOLE OR IN PART IS STRICTLY FORBIDDEN.



REAR VIEW



FRONT VIEW

— UNLESS OTHERWISE SPECIFIED —
 1/8 HIGH BLACK LUSTERLESS, GOTHIC LETTERING.
 MARKING PROCESS: AS PER TMC SPECIFICATION S-727
 ALL LETTERING TO BE CENTERED ON HOLES.

REF: MS-2883 (2)

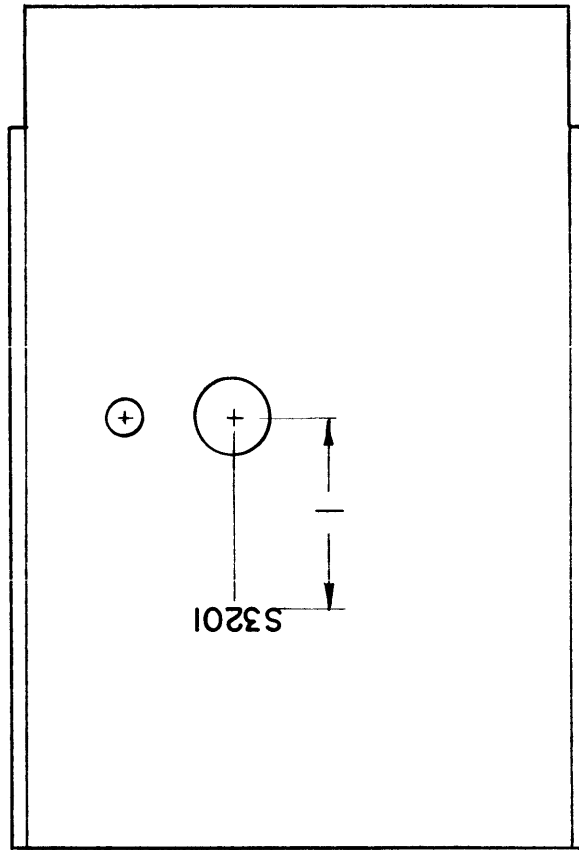
SYM	DESCRIPTION	DATE	CH. NO.	DRAFTS	CHECKER	ENG. APP.
UNLESS OTHERWISE SPECIFIED:		SCALE:				
DIMENSIONS ARE IN INCHES		MAXIMUM ALLOWABLE TOLERANCES HAVE BEEN DETERMINED AND ANY DEVIATIONS WILL BE CAUSE FOR REJECTION.				
TOLERANCES ON		REMOVE ALL BURRS AND SHARP EDGES				
FRACTIONS ± 1/64		DECIMALS ± .005		ANGLES ± 1/2°		

REQ. PER UNIT	MODEL	SECTION	ASS'Y. NO.	DATE
4	HFS-1	SYNTH.		8-17-62
USED ON				

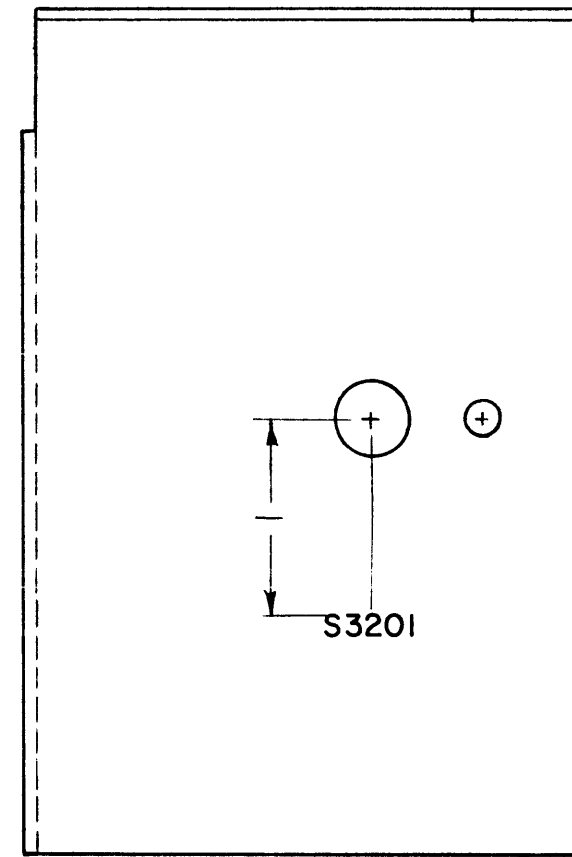
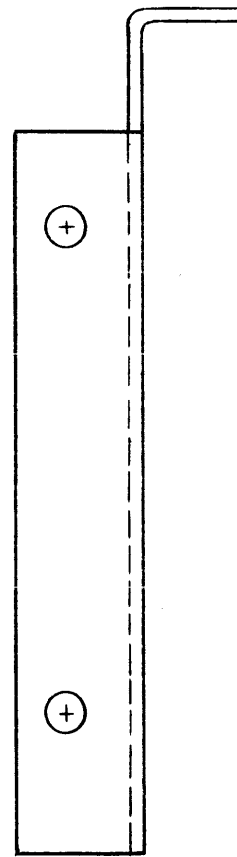
REQ.	ITEM	PART NO.	J. STRUMMER DESCRIPTION	SYMBOL
			THE TECHNICAL MATERIEL CORP. MAMARONECK, NEW YORK	
STOCK SIZE			LETTERING, SWITCH MTG. PLATE	
MATERIAL			(3100 DECK)	
TYPE & TEMPER		HEAT TREAT. SPEC.	G.D.L. <i>[Signature]</i>	<i>[Signature]</i>
FINISH & SPEC. NO.		ELEC. DES. APP.	DRAWN <i>[Signature]</i>	CHECKED <i>[Signature]</i>
		MECH. DES. APP.		FINAL APPROVAL <i>[Signature]</i>
				LD-1085

THE CONTENTS OF THIS DRAWING ARE THE EXCLUSIVE PROPERTY OF THE TECHNICAL MATERIEL CORP. ITS UNAUTHORIZED USE OR REPRODUCTION IN WHOLE OR IN PART IS TRICTLY FORBIDDEN.

LD-1089



REAR VIEW



FRONT VIEW

~ UNLESS OTHERWISE SPECIFIED ~
 1/8 HIGH BLACK LUSTERLESS, GOTHIC LETTERING.
 MARKING PROCESS: AS PER TMC SPECIFICATION S-727
 ALL LETTERING TO BE CENTERED ON HOLES

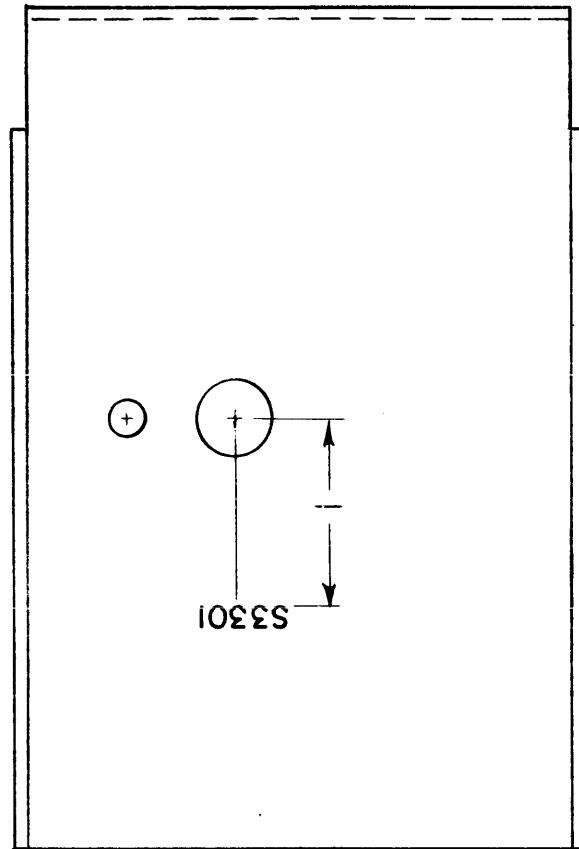
REF. M5-2883 (2)

SYM	DESCRIPTION	DATE	CH. NO.	DRAFTS	CHECKER	ENG. APP.
	UNLESS OTHERWISE SPECIFIED: DIMENSIONS ARE IN INCHES TOLERANCES ON FRACTIONS $\pm 1/64$ DECIMALS $\pm .005$ ANGLES $\pm 1/2^\circ$	SCALE: MAXIMUM ALLOWABLE TOLERANCES HAVE BEEN DETERMINED AND ANY DEVIATIONS WILL BE CAUSE FOR REJECTION. REMOVE ALL BURRS AND SHARP EDGES				
		1	HFS-1	3200		B-17-62
		REQ. PER UNIT	MODEL	SECTION	ASS'Y. NO.	DATE
			USED ON			

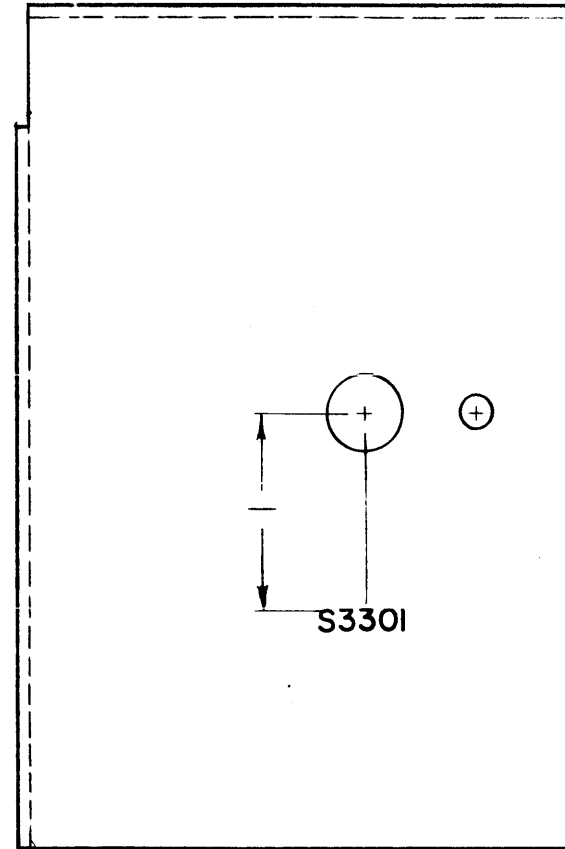
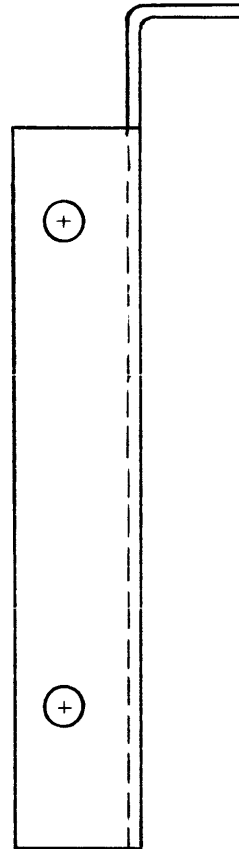
REQ.	ITEM	PART NO.	J. STRUMMER	DESCRIPTION	SYMBOL
			THE TECHNICAL MATERIEL CORP. MAMARONECK, NEW YORK		
		STOCK SIZE	LETTERING, SWITCH MTG. PLATE (3200 DECK)		
		MATERIAL			
		TYPE & TEMPER	G.D.L.	J.H.	J.P.
		HEAT TREAT. SPEC.	DRAWN	CHECKED	FINAL APPROVAL
		FINISH & SPEC. NO.	JMA	JMA	LD-1089
			ELEC. DES. APP.	MECH. DES. APP.	

LD-1090

THE CONTENTS OF THIS DRAWING ARE THE EXCLUSIVE PROPERTY OF THE TECHNICAL MATERIEL CORP. ITS UNAUTHORIZED USE OR REPRODUCTION IN WHOLE OR IN PART IS STRICTLY FORBIDDEN.



REAR VIEW



FRONT VIEW

~UNLESS OTHERWISE SPECIFIED~
 1/8 HIGH BLACK LUSTERLESS, GOTHIC LETTERING.
 MARKING PROCESS: AS PER TMC SPECIFICATION S-727
 ALL LETTERING TO BE CENTERED ON HOLES

REF. MS-2883 (2)

SYM	DESCRIPTION	DATE	CH. NO.	DRAFTS	CHECKER	ENG. APP.
	UNLESS OTHERWISE SPECIFIED: DIMENSIONS ARE IN INCHES TOLERANCES ON FRACTIONS ± 1/64 DECIMALS ± .05 ANGLES ± 1/2°	SCALE: MAXIMUM ALLOWABLE TOLERANCES HAVE BEEN DETERMINED AND ANY DEVIATIONS WILL BE CAUSE FOR REJECTION. REMOVE ALL BURRS AND SHARP EDGES				

REQ. PER UNIT	MODEL	SECTION	ASS'Y. NO.	DATE
1	HFS-1	3300		8-17-62
USED ON				

REQ.	ITEM	PART NO.	DESCRIPTION	SYMBOL
			THE TECHNICAL MATERIEL CORP. MAMARONECK, NEW YORK	
STOCK SIZE			LETTERING, SWITCH MTG. PLATE (3300 DECK)	
MATERIAL			G.D.L. <i>[Signature]</i>	<i>[Signature]</i>
TYPE & TEMPER		HEAT TREAT. SPEC.	DRAWN <i>[Signature]</i>	CHECKED <i>[Signature]</i>
FINISH & SPEC. NO.		ELEC. DES. APP.	MECH. DES. APP.	LD-1090