

TMC SPECIFICATION

NO. KIT 454

REV:

COMPILED: 1s

CHECKED: *W*

APPD:

SHEET

OF

TITLE: 8-12 MHz Decoupling Circuit

8-12 MHz DECOUPLING CIRCUIT


KIT 454

TMC SPECIFICATION

NO. KIT 454

REV:

COMPILED: las

CHECKED: 

APPD:

SHEET

OF

TITLE: 8-12 MHz DECOUPLING CIRCUIT

1. Equipment effected

HIGH FREQUENCY 10K TRANSMITTERS Models HFT()-10K

2. Purpose:

This modification KIT is inteded to eliminate a resonance that may exist within the 8-12 MHz range of the transmitter.

3. General Description

Due to a natural resonance created by the combination of components in the 8 to 12 MHz band. It in necessary to decouple C739 when the transmitter in tuned to the 8 to 12 MHz band.

4. Equipment Supplied

- 1 AX804: Decoupling Assembly with drawing
- 1 ID448: Installation Identification drawing
- 1 PX1278: Plate Mounting Capacitor
- 2 NS3W0320: Support
- * MWC22(7)U2 (Wire 5 feet)
- * MWC22(7)U1 (Wire 5 feet)
- * MWC22(7)U4 (Wire 5 feet)
- 3 TE120-2 Spade Lug

5. Principles of Operation

Refer to figure 1-1 for a schematic representation.

The band indicator assembly A5001 pin 4 receives +24 volts dc when tuned to position 7 of A704A1-SB1 switch wafer. +24 volts dc then is transferred to assembly A710, which is the 8-12 MHz Decoupling Assembly. At A710-TB1 terminal 3, the appearance of +24 volts dc energizes A710-K2 relay. Contacts 3 and 1 close, thus allowing 230 volts ac phase 2 to appear at A710-K1 contactor. A710-K1 contactor then opens, which will remove C739 2000 pf at 10KV from ground.

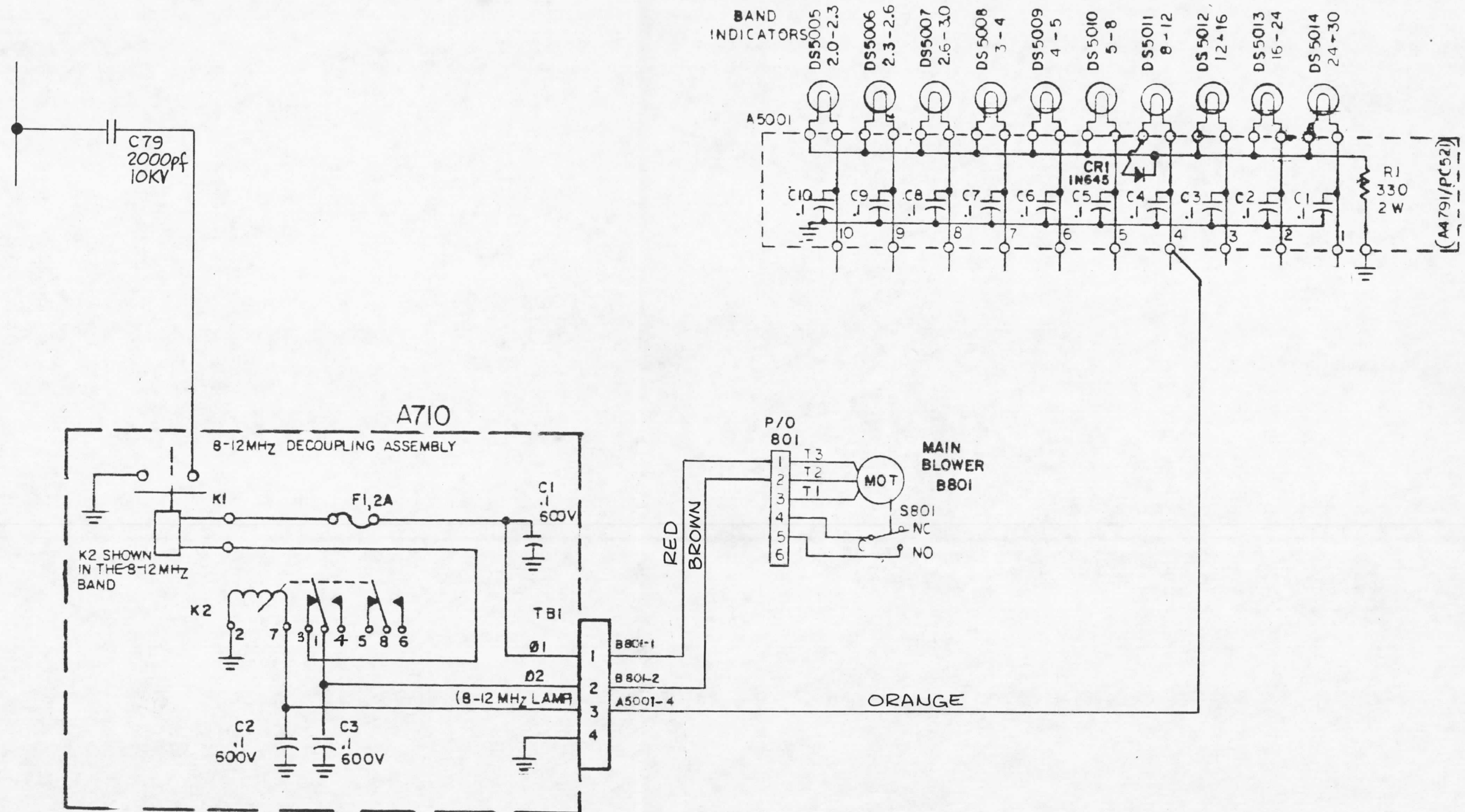


FIGURE I
 SCHEMATIC DIAGRAM,
 8-12 MHz DECOUPLING CIRCUIT