

JJ-152

SPECIFICATIONS

SERIES ~ QDS
 NO OF CONTACTS ~ ONE(1)
 TYPE OF CONTACTS ~ FEMALE
 DIELECTRIC ~ TEFLON

ELECTRICAL DATA

MAX. PEAK VOLTAGE ~ 5KV
 NOM. IMPEDANCE ~ 50Ω

MATING ACCOMODATIONS

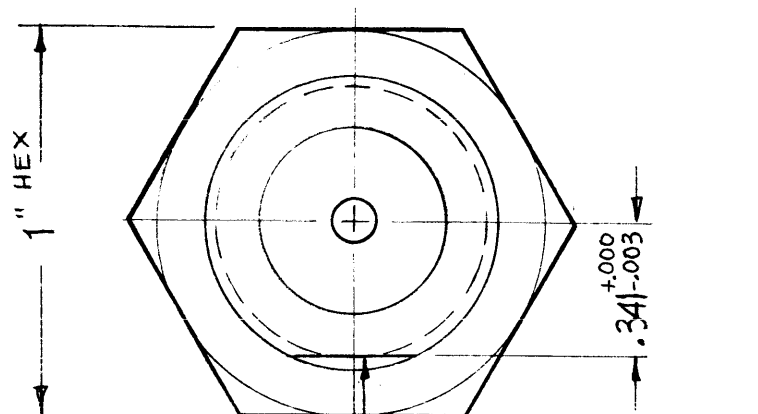
TYPE ~ STUD

MATERIAL

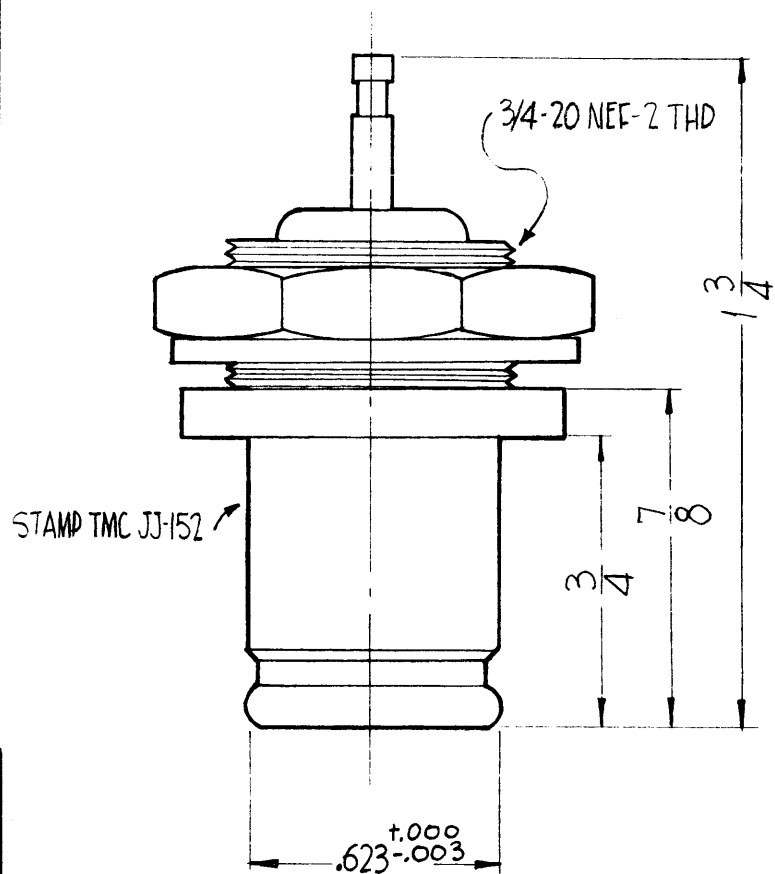
EXTERNAL PARTS ~ BRASS
 CONTACTS ~ FEMALE

FINISH

EXTERNAL PARTS ~ SILVER PLATE & RHODIUM FLASH
 CONTACTS ~ SILVER PLATE & GOLD FLASH



FLAT ON THDS. ONE SIDE ONLY.



NOTICE TO PERSONS RECEIVING THIS DRAWING

THE TECHNICAL MATERIEL CORPORATION claims proprietary right in the material disclosed hereon. This drawing is issued in confidence for engineering information only and may not be reproduced or used to manufacture anything shown hereon without permission from THE TECHNICAL MATERIEL CORPORATION to the user. This drawing is loaned for mutual assistance and is subject to recall at any time.

Property of:
 THE TECHNICAL MATERIEL CORPORATION
 MAMARONECK, NEW YORK

SYM	DESCRIPTION	DATE	CH. NO.	DRAFTS	CHECKER	ENG. APP.
UNLESS OTHERWISE SPECIFIED:		SCALE: S-401-70 (861)				
DIMENSIONS ARE IN INCHES		MAXIMUM ALLOWABLE TOLERANCES HAVE BEEN DETERMINED AND ANY DEVIATIONS WILL BE CAUSE FOR REJECTION.				
TOLERANCES ON FRACTIONS ± 1/64 DECIMALS ± .005 ANGLES ± 1/2°		REMOVE ALL BURRS AND SHARP EDGES				

REQ. ITEM	PART NO.	DESCRIPTION	SYMBOL
		THE TECHNICAL MATERIEL CORP. MAMARONECK, NEW YORK	
STOCK SIZE		CONNECTOR, RECEPTACLE	
MATERIAL		QDS	
TYPE & TEMPER		D.J. Mann BROWN	
HEAT TREAT. SPEC.		H.W. K CHECKER	
FINISH & SPEC. NO.			FINAL APPROVAL
ELEC. DES. APP.			JJ-152
MECH. DES. APP.			