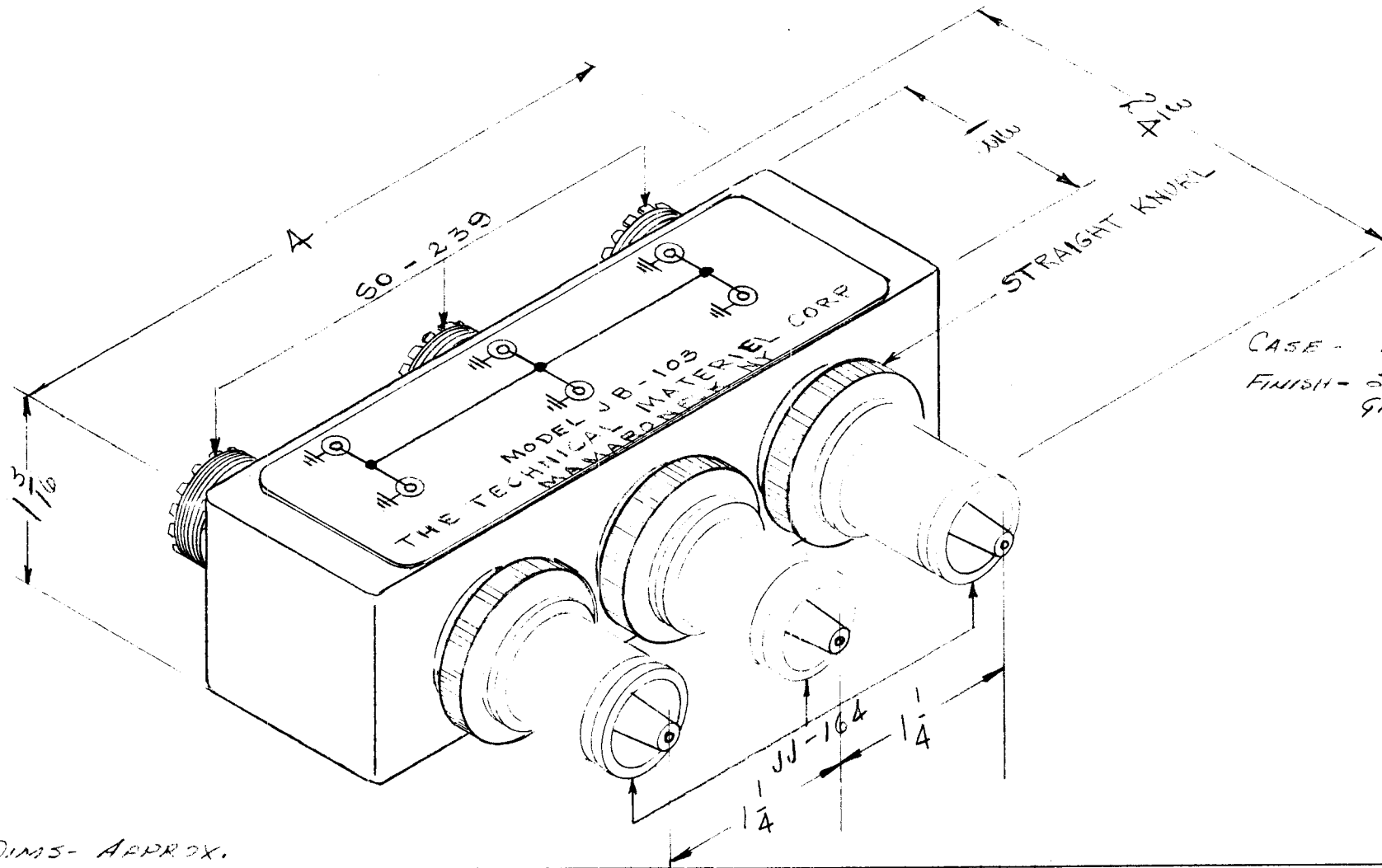


REQ. PER UNIT 11	USED ON		
	MODEL BJP-1	ASS'Y. NO.	DATE 10-28-58
JB-103			



DIMS - APPROX.

								REQ. ITEM	PART NO.	DESCRIPTION	SYMBOL
								CP		THE TECHNICAL MATERIEL CORP. MAMARONECK, NEW YORK	
								CP	STOCK SIZE	JUNCTION BOX	
								CP	MATERIAL	TRIPLE RES TO TRIPLE UHF	
ISSUE	ITEM	CHANGED FROM	DATE	CH. NO.	DRAFTS	CHECKER	ENG. APP.	CP	JD	10-28-58	
TOLERANCES			SCALE:		CP		2A-1595	CP		WJC	
DEC. DIM. ±			MAXIMUM ALLOWABLE TOLERANCES HAVE BEEN DETERMINED AND ANY DEVIATIONS WILL BE CAUSE FOR REJECTION.								
FRAC. DIM. ±			REMOVE ALL BURRS AND SHARP EDGES								
ANGULAR DIM. ±								CP			
								FINISH & SPEC. NO.	ELEC. DES. APP.	MECH. DES. APP.	JB-103