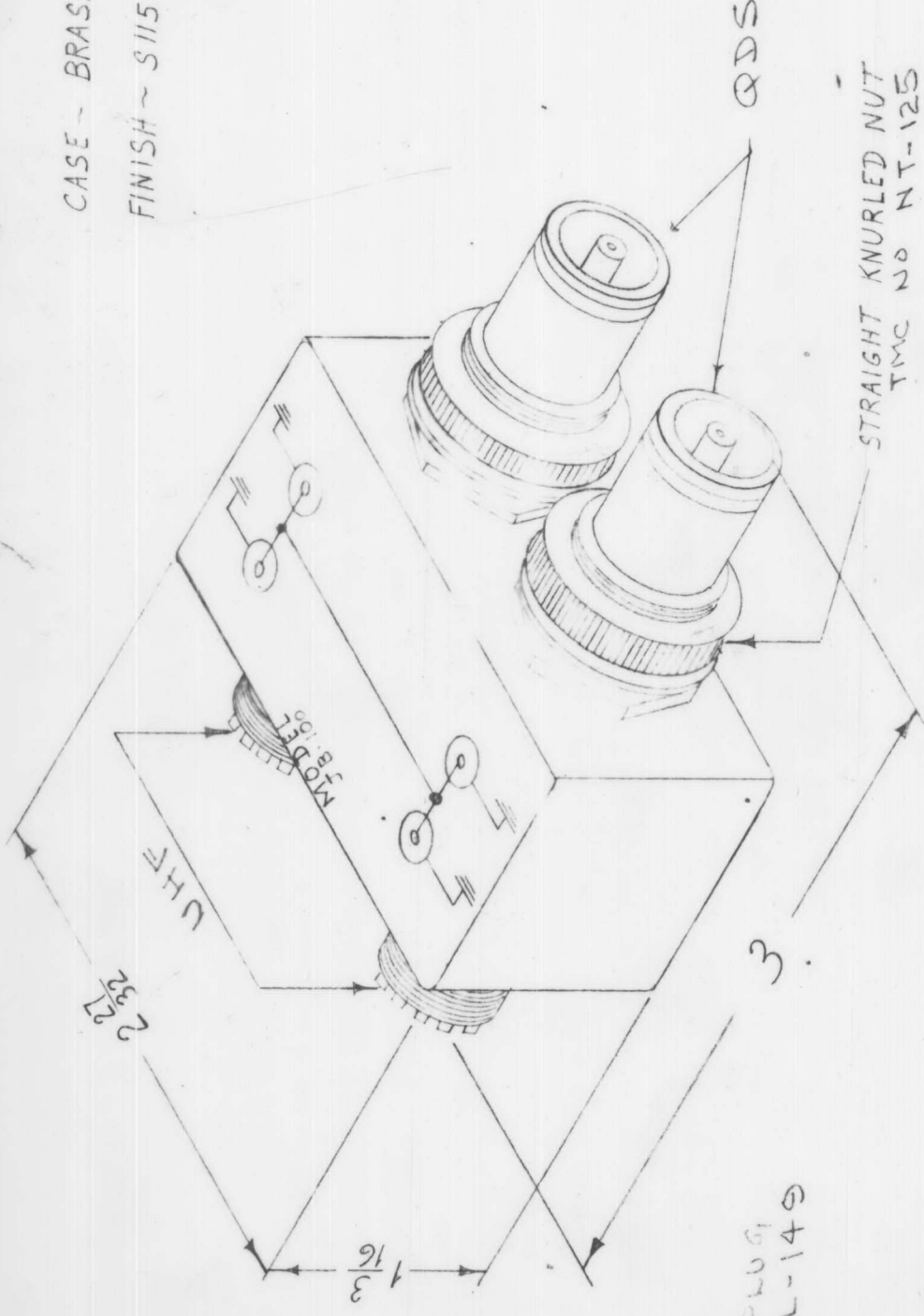


REQ. PER UNIT	MODEL	USED ON
		ASS'Y. NO.
		DATE
		10-28-60

JB-100

CASE - BRASS

FINISH ~ S115 SMOOTH GREY ENAMEL



REF:  
MATING PLUG  
QDS-PL-149

REQ. ITEM	PART NO.	DESCRIPTION	SYMBOL
		THE TECHNICAL MATERIEL CORP. MAMARONECK, NEW YORK	
		JUNCTION BOX	
		DUAL QDS TO DUAL UHF	
		DRAWN	QDS
		CHECKED	JM
		HEAT TREAT. SPEC.	FINAL APPROVAL
		FINISH & SPEC. NO.	JB-100
		ELEC. DES. APP.	
		MECH. DES. APP.	

SCALE: 2A-2008  
MAXIMUM ALLOWABLE TOLERANCES HAVE BEEN DETERMINED AND ANY DEVIATIONS WILL BE CAUSE FOR REJECTION. REMOVE ALL BURRS AND SHARP EDGES

TOLERANCES  
DEC. DIM. ±  
FRAC. DIM. ±  
ANGULAR DIM. ±