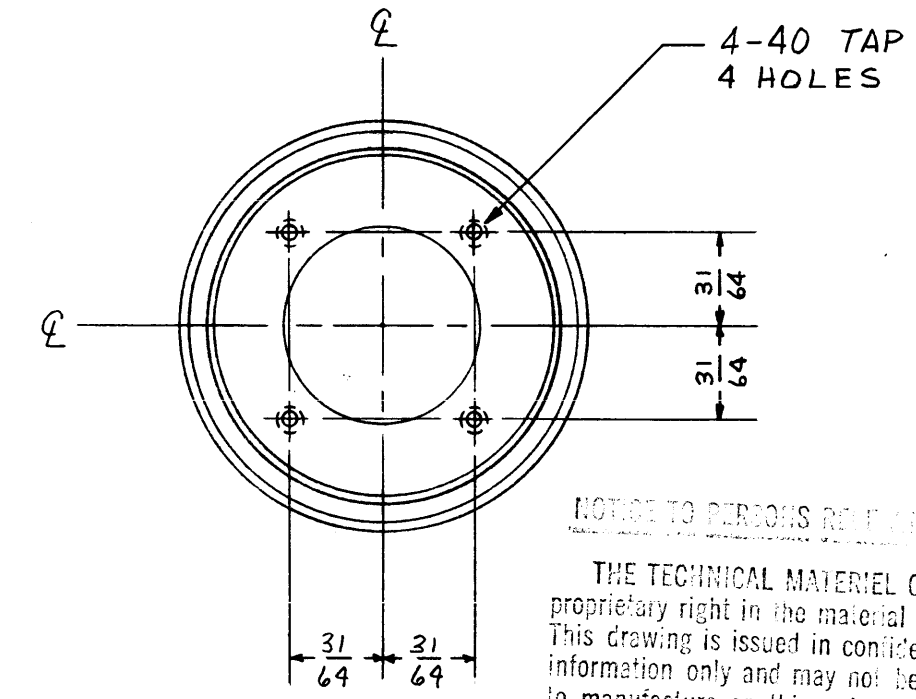
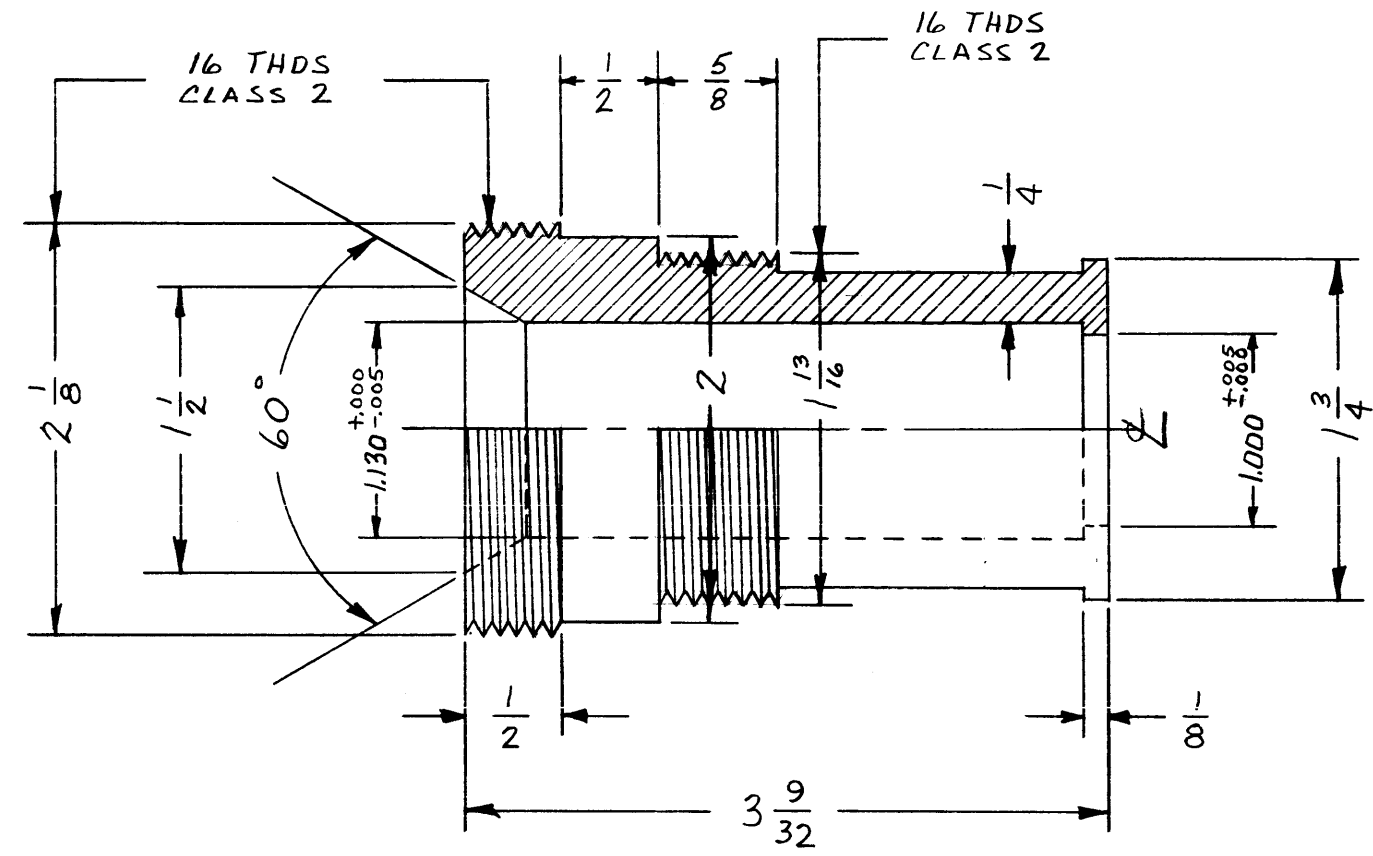


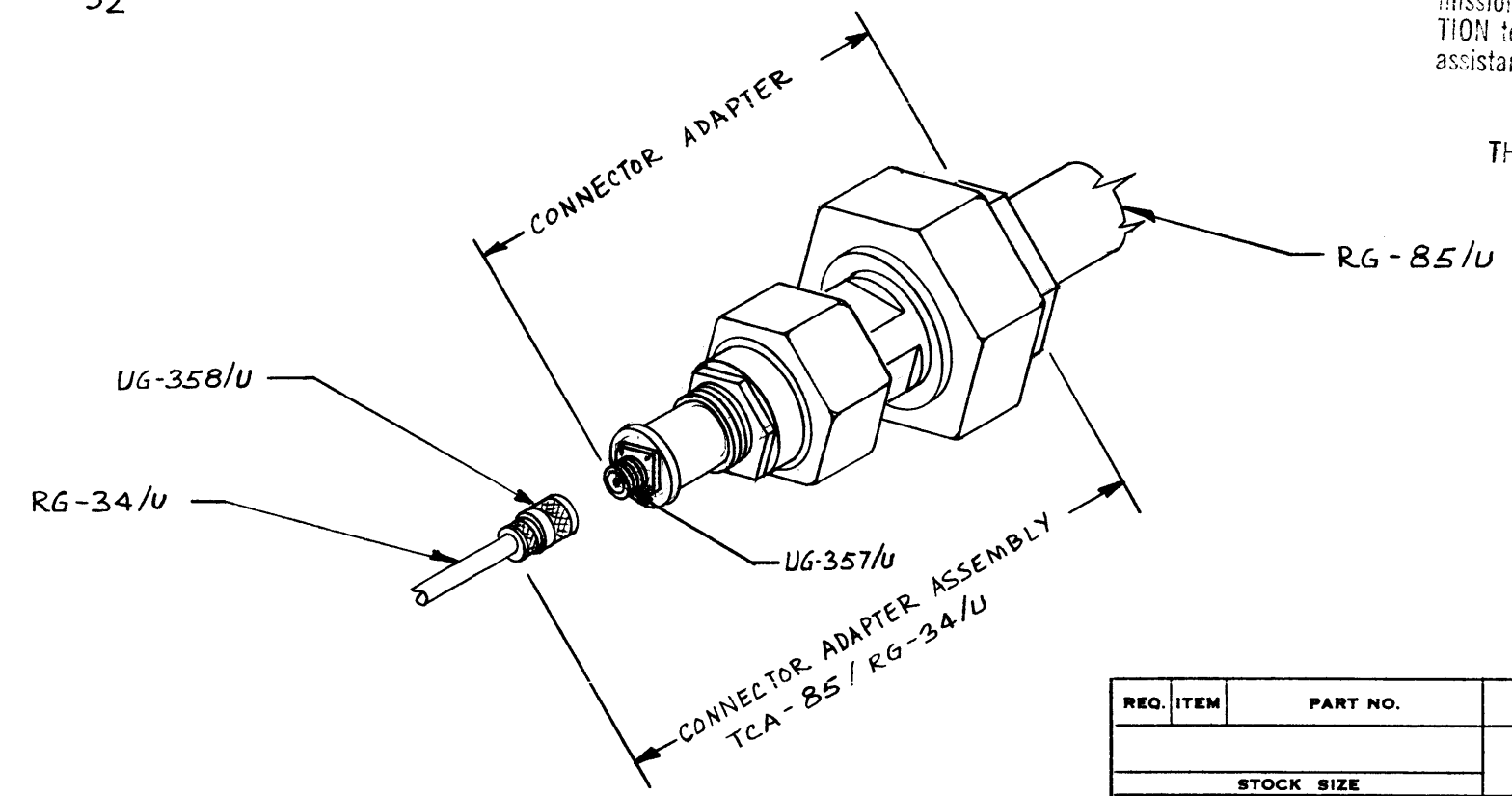
IN-1124



NOTICE TO PERSONS RECEIVING THIS DRAWING

THE TECHNICAL MATERIEL CORPORATION claims proprietary right in the material disclosed hereon. This drawing is issued in confidence for engineering information only and may not be reproduced or used to manufacture anything shown hereon without permission from THE TECHNICAL MATERIEL CORPORATION to the user. This drawing is loaned for mutual assistance and is subject to recall at any time.

Property of:
THE TECHNICAL MATERIEL CORPORATION
MAMARONECK, NEW YORK



| | | | | | | | |
|----------------|------|------------------|---|---------|--------|---------|-----------|
| ISSUE | ITEM | CHANGED FROM | DATE | CH. NO. | DRAFTS | CHECKER | ENG. APP. |
| Ø | | ORIGINAL RELEASE | 8/19/67 | | | | |
| TOLERANCES | | | SCALE: | | | | |
| DEC. DIM. ± | | | MAXIMUM ALLOWABLE TOLERANCES HAVE BEEN DETERMINED AND ANY DEVIATIONS WILL BE CAUSE FOR REJECTION. | | | | |
| FRAC. DIM. ± | | | REMOVE ALL BURRS AND SHARP EDGES | | | | |
| ANGULAR DIM. ± | | | | | | | |

| | | | | |
|---------------|-------|-------------|------------|------|
| REQ. PER UNIT | MODEL | PROJECT NO. | ASS'Y. NO. | DATE |
| | | | | |
| USED ON | | | | |

| REQ. ITEM | PART NO. | DESCRIPTION | | SYMBOL |
|-----------|----------|--|-----------------|----------------|
| | | THE TECHNICAL MATERIEL CORP. MAMARONECK, NEW YORK | | |
| | | STOCK SIZE | | |
| | | TCA-85/RG-34/U | | |
| | | MATERIAL | | |
| | | MJT 11-24-59 | | |
| | | DRAWN | CHECKED | FINAL APPROVAL |
| | | | | IN-1124 |
| | | FINISH & SPEC. NO. | | |
| | | ELEC. DES. APP. | MECH. DES. APP. | |