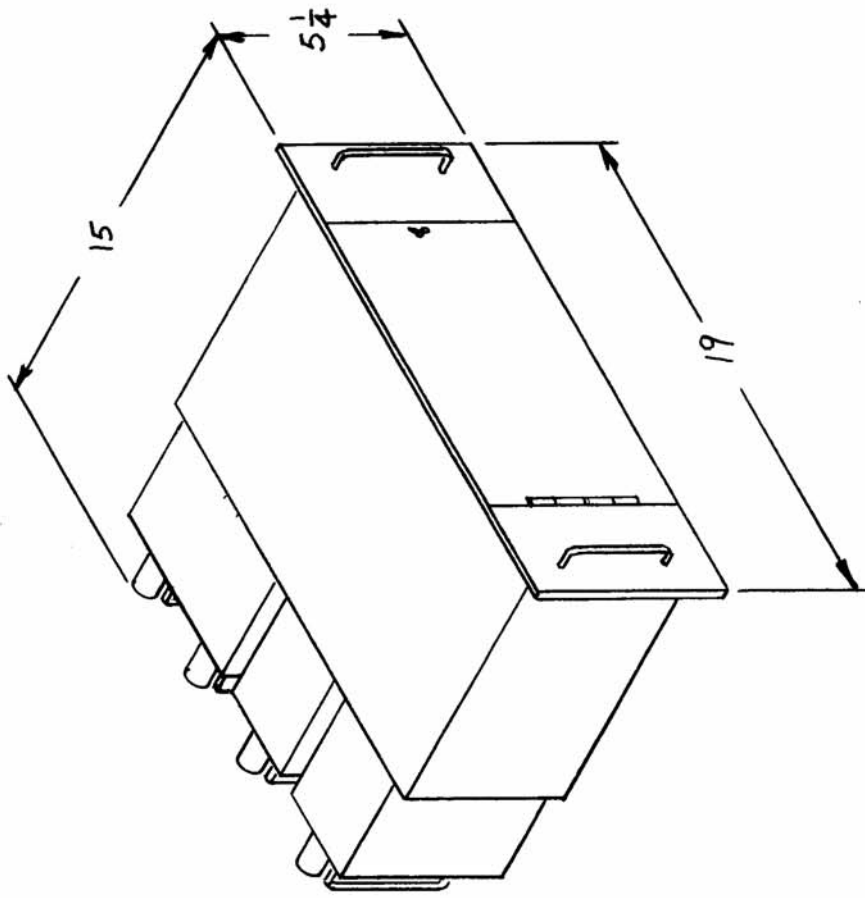


REQ. PER UNIT	MODEL	USED ON ASS'Y. NO.	DATE
		IN-1084	



REQ. ITEM	REQ. ITEM	PART NO.	DESCRIPTION	SYMBOL
			THE TECHNICAL MATERIEL CORP. MAMARONECK, NEW YORK	
			DIMENSIONAL OUTLINE	
			MODEL TST	
			6-8-59	
			MJT	
			DRAWN	CHECKED
			HEAT TREAT. SPEC.	FINAL APPR VAL
			FINISH & SPEC. NO.	IN-1084
			ELEC. DES. APP. MECH. DES. APP.	

ISSUE ITEM	CHANGED FROM	DATE	CH. NO.	DRAFTS	CHECKER	ENG. APP.

SCALE:

MAXIMUM ALLOWABLE TOLERANCES HAVE BEEN DETERMINED AND ANY DEVIATIONS WILL BE CAUSE FOR REJECTION. REMOVE ALL BURRS AND SHARP EDGES

TOLERANCES

DEC. DIM. ±
FRAC. DIM. ±
ANGULAR DIM. ±