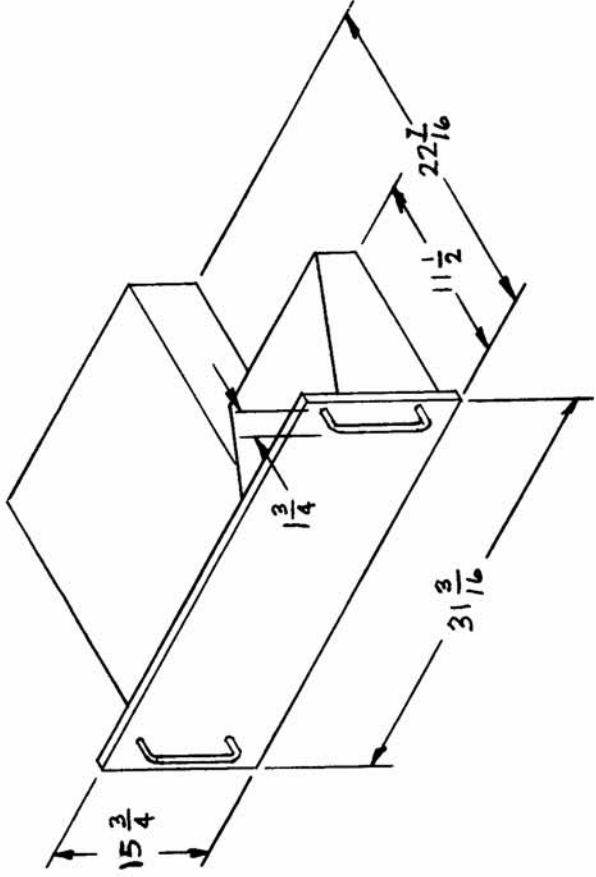


REQ. PER UNIT	USED ON	DATE
	MODEL	DATE
	ASSY. NO.	
	RTP-2	

1N-1070



REQ. ITEM	PART NO.	DESCRIPTION	SYMBOL
		THE TECHNICAL MATERIEL CORP. MAMARONECK, NEW YORK	
		DIMENSIONAL OUTLINE DRAWING	
		MODEL RTP-2	
		MJT 11-6-58	FINAL APPROVAL MM
		DRAWN	
		CHECKED	
		TYPE & TEMPER	
		HEAT TREAT. SPEC.	
		FINISH & SPEC. NO.	1N-1070
		ELEC. DES. APP.	
		MECH. DES. APP.	

ORIGINAL RELEASE

DATE CH. NO. DRAFTS CHECKER ENG. APP.

SCALE:

MAXIMUM ALLOWABLE TOLERANCES HAVE BEEN DETERMINED AND ANY DEVIATIONS WILL BE CAUSE FOR REJECTION. REMOVE ALL BURRS AND SHARP EDGES

TOLERANCES

DEC. DIM. ±
FRAC. DIM. ±
ANGULAR DIM. ±