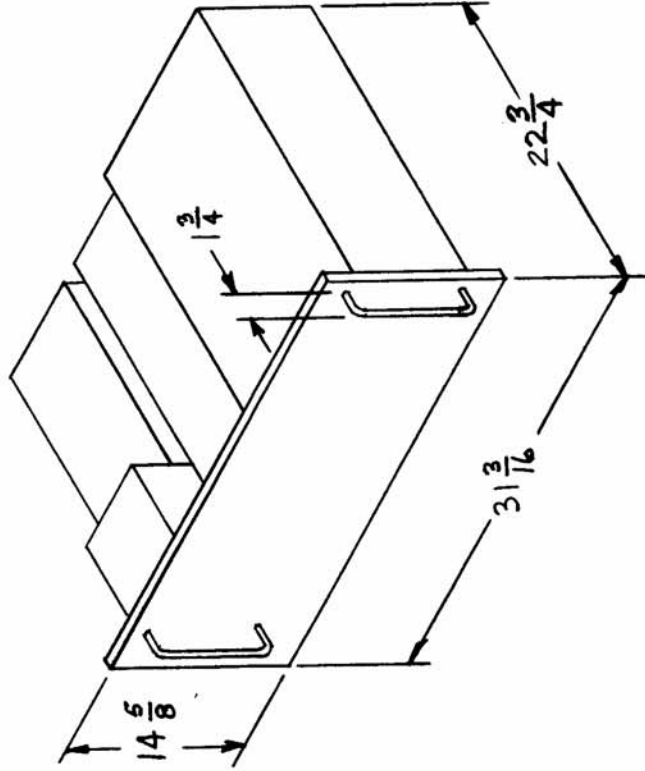


REQ. PER UNIT	USED ON	
	MODEL	DATE
RTF-2	RTF-2	

IN-1069	Ø
---------	---



REQ. ITEM	PART NO.	DESCRIPTION	SYMBOL
		THE TECHNICAL MATERIEL CORP. MAMARONECK. NEW YORK	
		DIMENSIONAL OUTLINE DRAWING	
		MODEL RTF-2	
		MATERIAL	
		STOCK SIZE	
		TYPE & TEMPER	
		HEAT TREAT. SPEC.	
		FINISH & SPEC. NO.	
		ELEC. DES. APP.	
		MECH. DES. APP.	
		CHECKED	
		DRAWN	
		MJT	
		11-6-58	
		FINAL APPROVAL	
		IN-1069	Ø

ISSUE ITEM

CHANGED FROM

DATE

CH. NO.

DRAFTS

CHECKER

ENG. APP.

SCALE:

MAXIMUM ALLOWABLE TOLERANCES HAVE BEEN DETERMINED AND ANY DEVIATIONS WILL BE CAUSE FOR REJECTION. REMOVE ALL BURRS AND SHARP EDGES

TOLERANCES

DEC. DIM. ±

FRAC. DIM. ±

ANGULAR DIM. ±