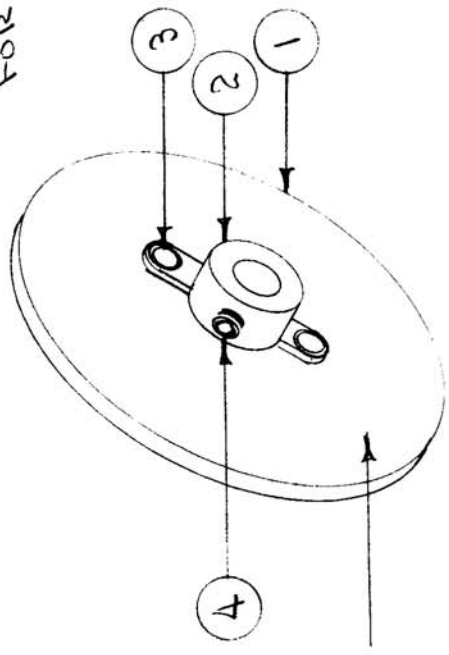


REQ. PER UNIT	1	MODEL	XFK	USED ON ASSY. NO.	A-640	DATE	5/23/57
				IN-1009			

THIS DRAWING FOR SPARES ONLY.
FOR PROD. ASSY. SEE A-640



REAR OF PLATE

2	A	AH565D6HZ	SCREW, SET	SYMBOL	
2	B	EY-100-1	EYELET, FLAT FLANGE		
1	2	HC-105-1	COUPLING		
1	1	NR-113	DIAL, FREQ. SHIFT		
REQ. ITEM		PART NO.	DESCRIPTION	THE TECHNICAL MATERIEL CORP. MAMARONECK, NEW YORK	
STOCK SIZE			DIAL ASSY., FREQ. SHIFT		
MATERIAL			XFK.		
TYPE & TEMPER			DRAWN		
HEAT TREAT. SPEC.			CD 5/23/57		
FINISH & SPEC. NO.			CHECKED		
			FINAL APPROVAL		
			S.A.		
			IN-1009		
			ELEC. DES. APP. MECH. DES. APP.		

ISSUE ITEM	CHANGED FROM	DATE	CH. NO.	DRAFTS	CHECKER	ENG. APP.
TOLERANCES						
SCALE:						
MAXIMUM ALLOWABLE TOLERANCES HAVE BEEN DETERMINED AND ANY DEVIATIONS WILL BE CAUSE FOR REJECTION.						
REMOVE ALL BURRS AND SHARP EDGES						
DEC. DIM.	±					
FRAC. DIM.	±					
ANGULAR DIM.	±					