

REQ. PER UNIT	MODEL	USED ON
		ASSY. NO.
		DATE
		IN-126

SYSTEM "B"

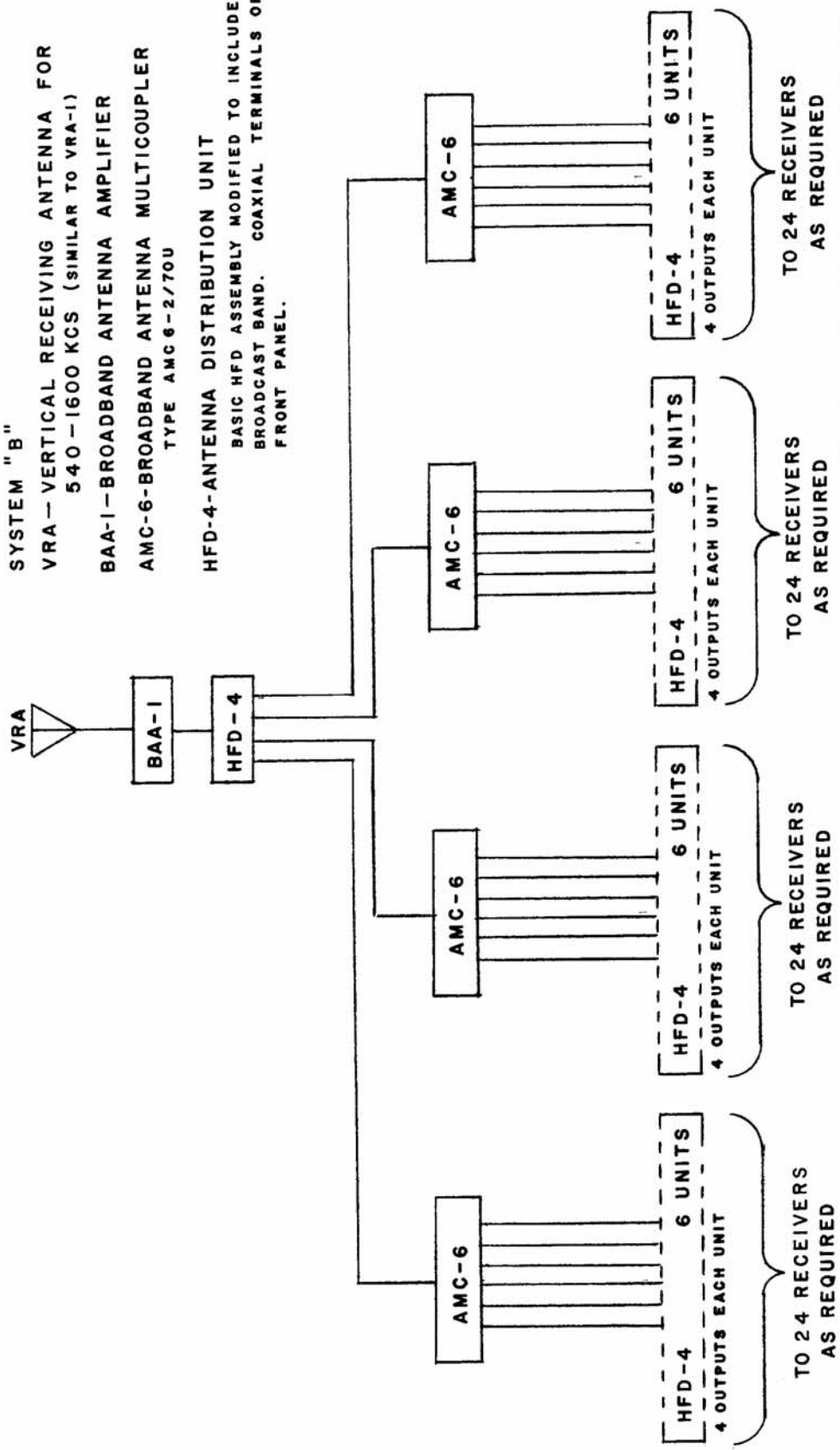
VRA - VERTICAL RECEIVING ANTENNA FOR 540 - 1600 KCS (SIMILAR TO VRA-1)

BAA-1 - BROADBAND ANTENNA AMPLIFIER

AMC-6 - BROADBAND ANTENNA MULTICOUPLER TYPE AMC 6-2/70U

HFD-4 - ANTENNA DISTRIBUTION UNIT

BASIC HFD ASSEMBLY MODIFIED TO INCLUDE BROADCAST BAND. COAXIAL TERMINALS ON FRONT PANEL.



REQ. ITEM	PART NO.	DESCRIPTION	SYMBOL
		THE TECHNICAL MATERIEL CORP. MAMARONECK, NEW YORK	
		R.F. DISTRIBUTION	SYSTEM "B"
		CDD	
		DRAWN	CHECKED
		HEAT TREAT. SPEC.	
		FINISH & SPEC. NO.	ELEC. DES. APP. MECH. DES. APP.
		DATE	9/24/69
		CH. NO.	
		DRAFTS	CHECKER
		ENG. APP.	
		CHANGED FROM	ORIGINAL RELEASE
		DATE	9/24/69
		CHECKER	
		ENG. APP.	
TOLERANCES			
MAXIMUM ALLOWABLE TOLERANCES HAVE BEEN DETERMINED AND ANY DEVIATIONS WILL BE CAUSE FOR REJECTION. REMOVE ALL BURRS AND SHARP EDGES			
DEC. DIM. ±			
FRAC. DIM. ±			
ANGULAR DIM. ±			
		FINAL APPROVAL	IN-126
			SA