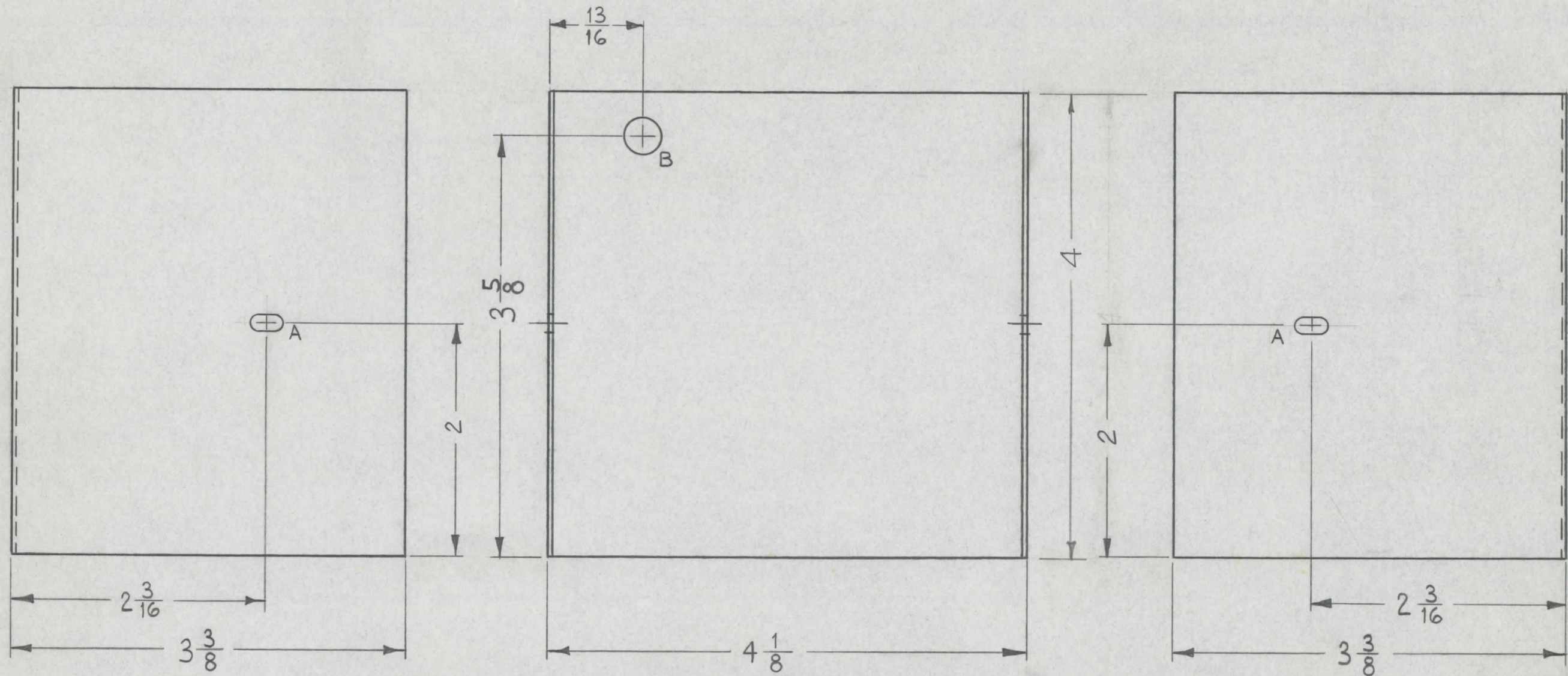


IM-201



A ~ $\frac{9}{64} \times \frac{9}{32}$ SLOT 2 REQ.
 B ~ $\frac{5}{16}$ DIA. 1 REQ.

SYM	DESCRIPTION	DATE	CH. NO.	DRAFTS	CHECKER	ENG. APP.
UNLESS OTHERWISE SPECIFIED:		SCALE: FULL (DO NOT SCALE)				
DIMENSIONS ARE IN INCHES		MAXIMUM ALLOWABLE TOLERANCES HAVE BEEN DETERMINED AND ANY DEVIATIONS WILL BE CAUSE FOR REJECTION.				
TOLERANCES ON FRACTIONS $\pm 1/64$ DECIMALS $\pm .005$ ANGLES $\pm 1/2^\circ$		REMOVE ALL BURRS AND SHARP EDGES				

REQ. PER UNIT	MODEL	SECTION	ASS'Y. NO.	DATE
1	CHG-2	OVEN		5-25-61
USED ON				

REQ.	ITEM	PART NO.	DESCRIPTION		SYMBOL
		.015	THE TECHNICAL MATERIEL CORP.		
		STOCK SIZE	MAMARONECK, NEW YORK		
		FISH PAPER	INSULATION, HEATER		
		MATERIAL			
			M.A.F.	J.C.B.	
			DRAWN	CHECKER	FINAL APPROVAL
			S.D.		IM-201
			ELEC. DES. APP.	MECH. DES. APP.	