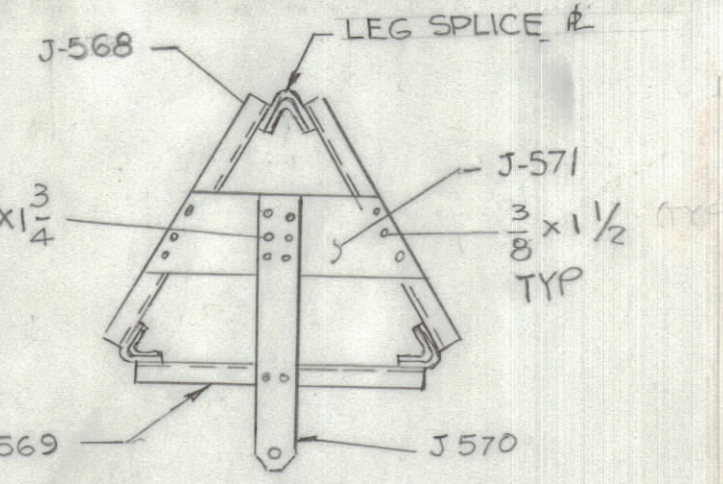
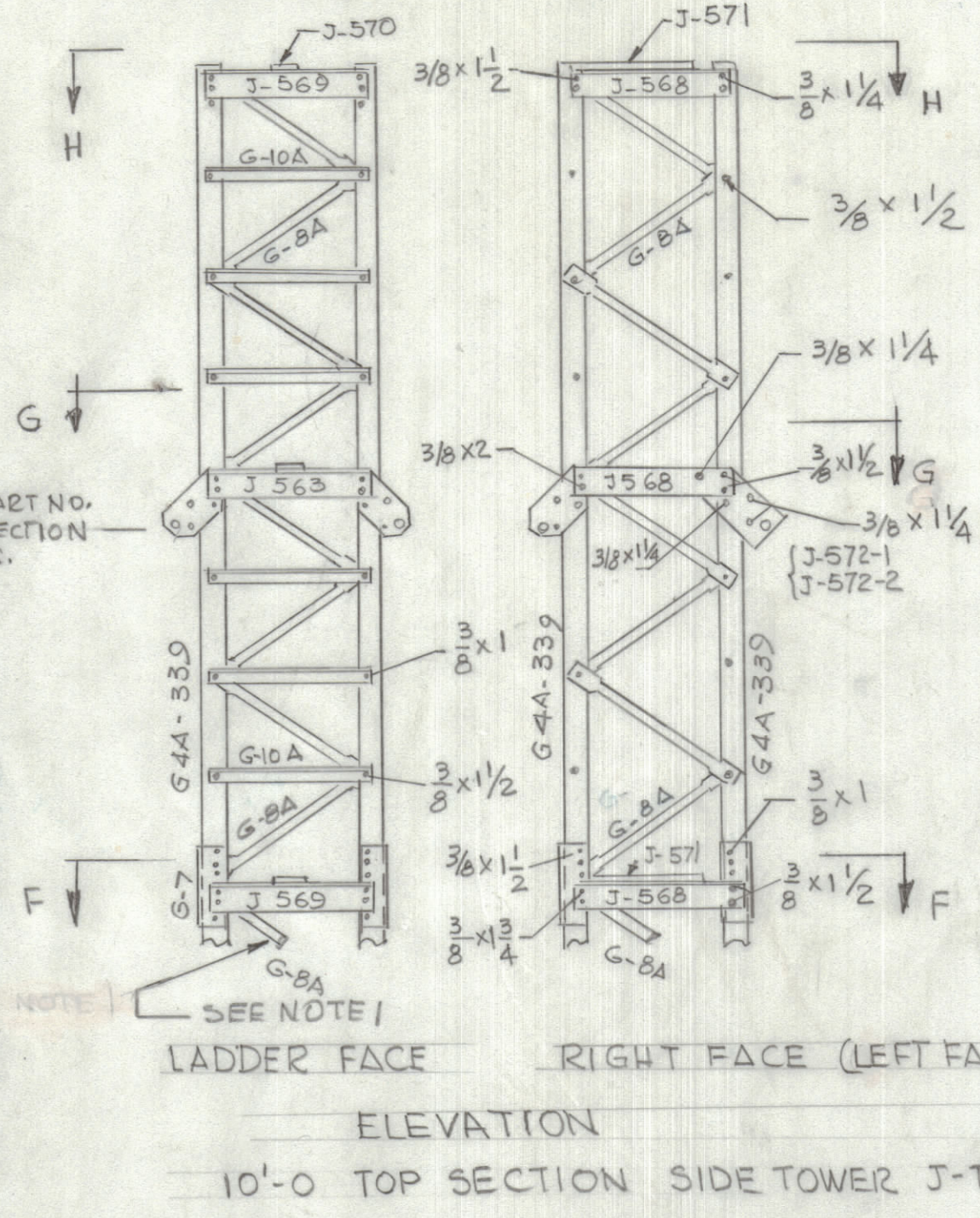
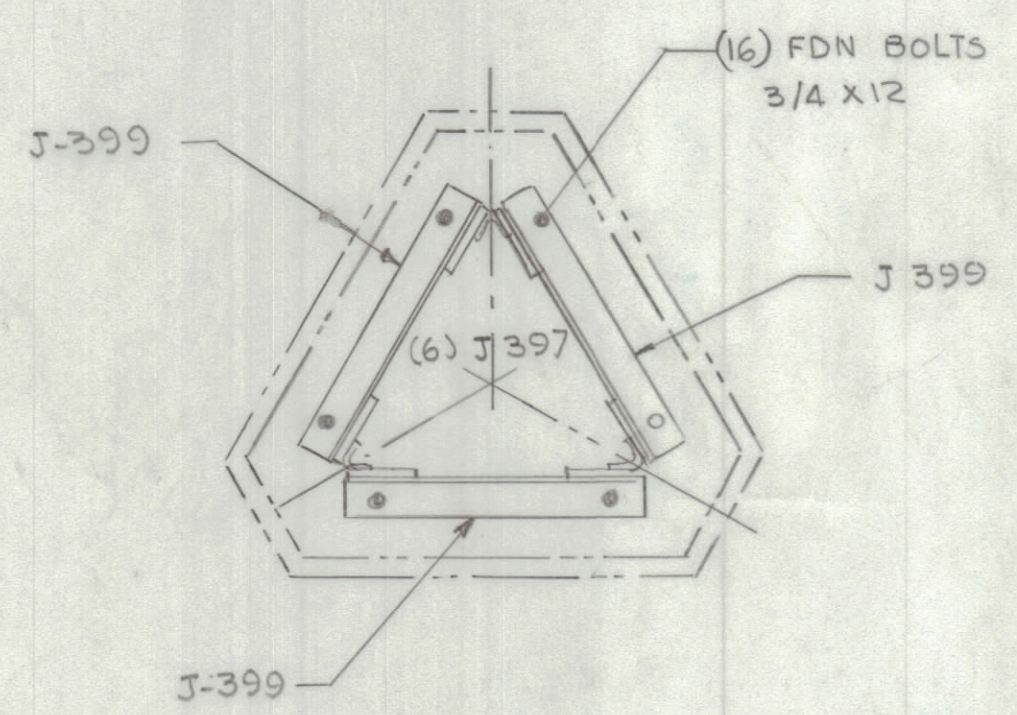


10'-0" INTERMEDIATE SECTIONS

ITEM	J-I-1 NON-GUY	J-I-2 GUYED	J-I-3 MID PT. GUY
G-4A	3	3	-
J-339	-	-	3
G-8A	24	24	24
G-10A	10	10	12
G-7	3	3	3
GUY PLATE	-	3	-
GUY PLATE	-	-	3
3/8 x 1	51	36	45
3/8 x 1 1/4	13	28	36
3/8 PAL NUT	64	70	84
3/8 x 1 1/2	-	6	3

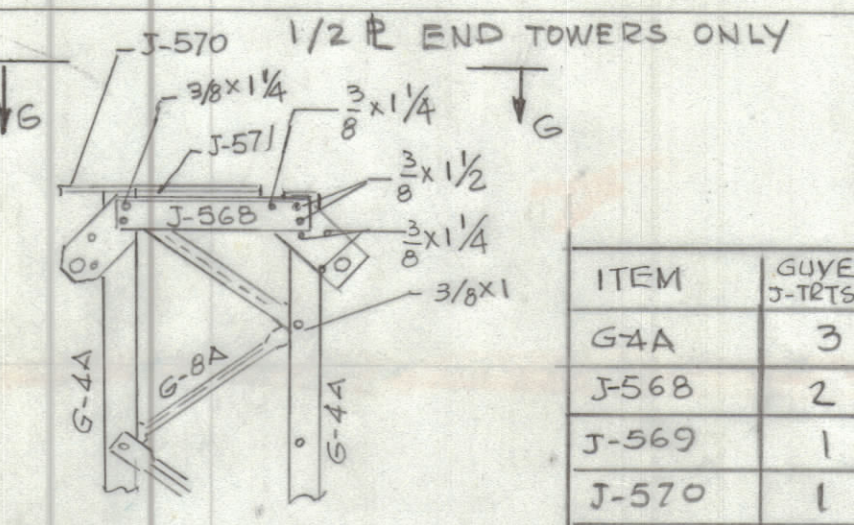


NOTE: 1- TOP PANEL OF THIS SECTION TO BE INSTALLED WITH PIPE DIAGONALS PART NO. J-468-2



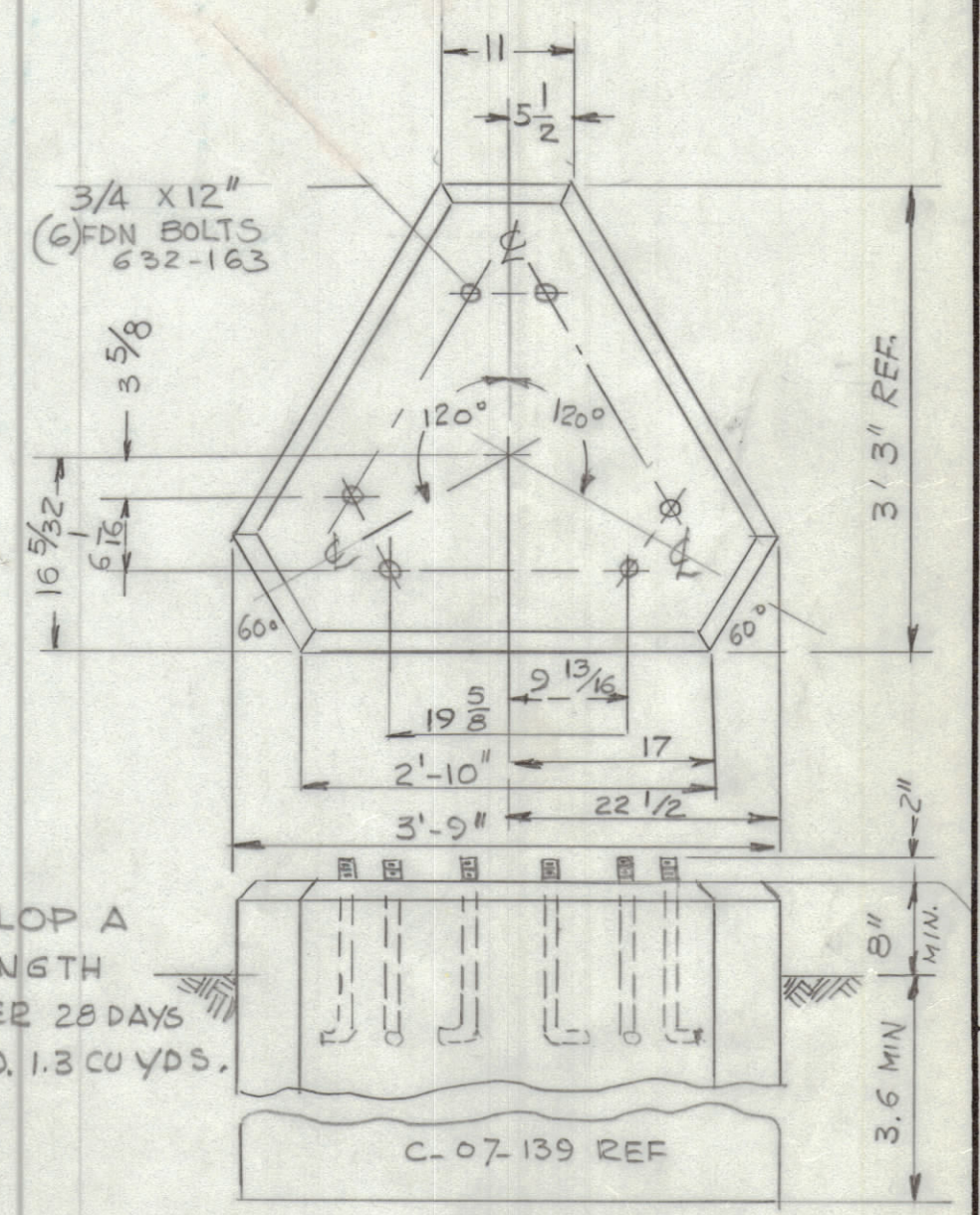
10'-0" BASE SECTIONS

ITEM	J-B-1 NON INS
G-4A	3
G-7	3
G-8A	24
G-10A	10
J-397	6
J-399	3
3/8 x 1	55
3/8 x 1 1/4	21
3/8 PAL NUT	76
FDN BOLT 3/4 x 12	6
G4A-300	-
J-3	-
J-303-1	-
J-303-2	-
J-628	-
J-304	-
J-108	-
COTTER PIN 1/8 x 1 1/2	-
3/8 x 1 1/2	-



10'-0" TOP SECTION END TOWER J-TRTSWET FOR PARTS NOT SHOWN SEE STD 10' TOP SECTION

ITEM	GUYED J-TRTSWET
G-4A	3
J-568	2
J-569	1
J-570	1
J-571	1
J-8A	24
J-10A	7
J-572-1	1
J-572-2	1
GUY PL	2
GUY PL	2
3/8 x 1	36
3/8 x 1/4	24
3/8 x 1/2	17
3/8 PAL NUT	86
3/8 x 1 3/4	9



QTY. REQ.	ITEM	PART NO.	DESCRIPTION	SYMBOL
LIST OF MATERIAL				
THE TECHNICAL MATERIEL CORP. MAMARONECK, NEW YORK				
ERECTION ASSEMBLY				
2400 RHOMBIC ANTENNA TOWERS WITH HW WITH A NON-HINGED BASE				
SIZE CODE IDENT NO. DWG NO.			ISSUE	
D 82679			ID 466	
SCALE			SHEET OF	

QTY / UNIT	MODEL USED ON	ASS'Y NO.
APPLICATION		
CODE D-32-411		
MATERIAL		
FINISH		

UNLESS OTHERWISE SPECIFIED DIMENSIONS ARE IN INCHES AND INCLUDE CHEMICALLY APPLIED OR PLATED FINISHES

TOLERANCES ON
 DECIMALS .X ± .05
 .XX ± .01
 .XXX ± .005

FRACTIONS ± 1/64
 ANGLES ± 0° - 30'

FINAL APPROVAL: [Signature] DATE: 11/10/80
 MECH. DES. DATE:
 ELECT. DES. DATE:
 CHECKED: EFN DATE: 11/12/80
 DRAWN: G.D.L. DATE: 11-3-80

NOTICE TO PERSONS RECEIVING THIS DRAWING
 THE TECHNICAL MATERIEL CORPORATION claims proprietary right in the material disclosed hereon. This drawing is issued in confidence for engineering information only and may not be reproduced or used to manufacture anything shown hereon without permission from THE TECHNICAL MATERIEL CORPORATION to the user. This drawing is loaned for mutual assistance and is subject to recall at any time.