

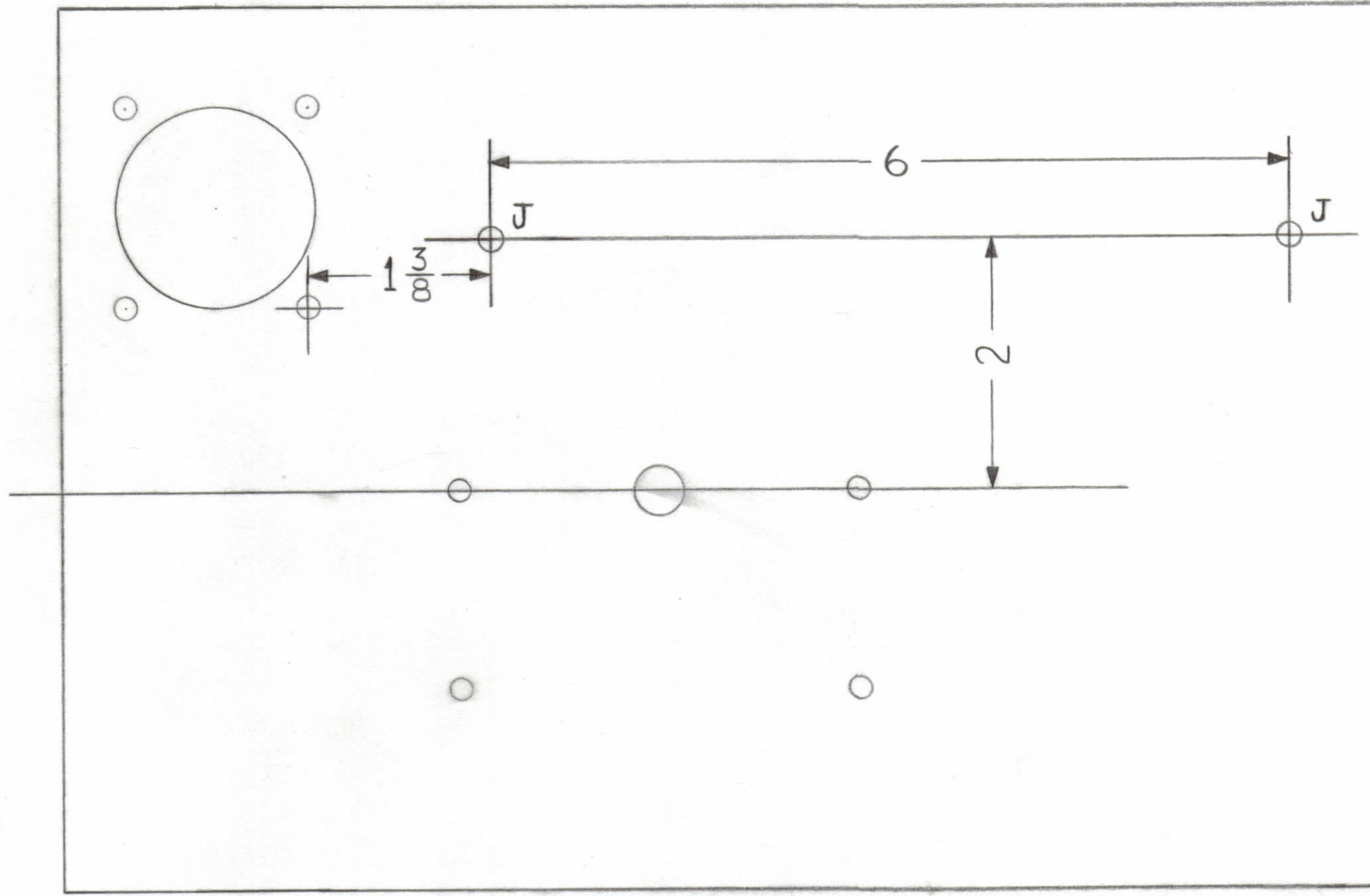
4

3

2

1

REVISIONS							
ZONE	LTR	DESCRIPTION	DATE	E.M.N.NO	DRAFT	CHKD	APPD
	X	EXP. RELEASE	4-8-75		F.I		
	Ø	ORIGINAL RELEASE FOR PRODUCTION	5-20-75		SP		



MS5509

NOTE:
 DROP METER PANEL AND ADD TWO (2)
 "J" HOLES 11/64 DIAMETER. MOUNT
 ASSEMBLY A5626 HERE. CN TWO (2)
 STANDOFFS T10232AE57H.

QTY. REQ.	ITEM	PART NO.	DESCRIPTION	SYMBOL
LIST OF MATERIAL				
THE TECHNICAL MATERIEL CORP.. MAMARONECK, NEW YORK				
INSTALLATION, KIT406 MACHINING				
FINAL APPROVAL			DATE	
MECH. DES.			DATE	
ELECT. DES.			DATE	
CHECKED			DATE	
DRAWN			DATE	
SIZE			CODE IDENT.NO.	DWG NO.
C			82679	ID427
SCALE 1:1				SHEET OF

1	KIT-406	ASS'Y NO.
QTY / UNIT	MODEL USED ON	
APPLICATION		
CODE		
<small>NOTICE TO PERSONS RECEIVING THIS DRAWING</small> <small>THE TECHNICAL MATERIEL CORPORATION claims proprietary right in the material disclosed hereon. This drawing is issued in confidence for engineering information only and may not be reproduced or used to manufacture anything shown hereon without permission from THE TECHNICAL MATERIEL CORPORATION to the user. This drawing is loaned for mutual assistance and is subject to recall at any time.</small>		
MATERIAL		
FINISH		

UNLESS OTHERWISE SPECIFIED
 DIMENSIONS ARE IN INCHES
 AND INCLUDE CHEMICALLY APPLIED
 OR PLATED FINISHES

TOLERANCES ON

DECIMALS	FRACTIONS
.X ± .05	± 1/64
.XX ± .01	ANGLES
.XXX ± .005	± 0° -30'

4

3

2

1

1D427

B

A